

Excellent Integrated System Limited

Stocking Distributor

Click to view price, real time Inventory, Delivery & Lifecycle Information:

[Eaton \(formerly Cooper Bussmann\)](#)
[BK/PCT](#)

For any questions, you can email us directly:

sales@integrated-circuit.com

Printed Circuit Board Fuseholder

For GMT Fuses

PCT

CATALOG SYMBOLS: PCT

125 VOLTS

MATERIALS: Thermoplastic

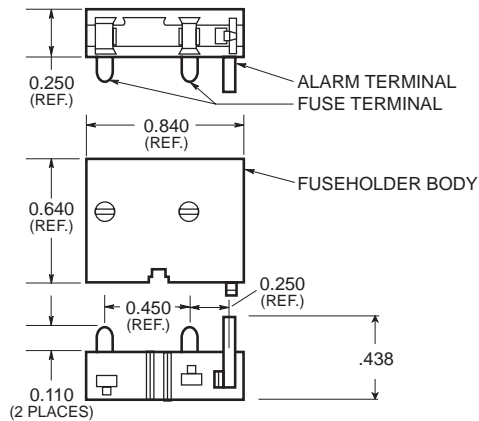
U.L. FLAMMABILITY: 94 VO

TERMINALS: 0.025 x 0.062

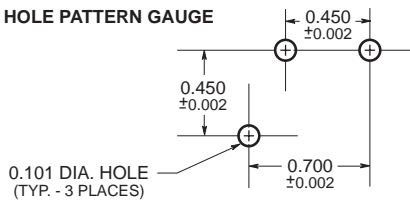
PLATING: Bright Tin

- For use with GMT Fuses
- DUMMY FUSE IS INCLUDED

Dimensional Data



HOLE PATTERN GAUGE



The only controlled copy of this BIF document is the electronic read-only version located on the Bussmann Network Drive. All other copies of this BIF document are by definition uncontrolled. This bulletin is intended to clearly present comprehensive product data and provide technical information that will help the end user with design applications. Bussmann reserves the right, without notice, to change design or construction of any products and to discontinue or limit distribution of any products. Bussmann also reserves the right to change or update, without notice, any technical information contained in this bulletin. Once a product has been selected, it should be tested by the user in all possible applications.