

## Excellent Integrated System Limited

Stocking Distributor

Click to view price, real time Inventory, Delivery & Lifecycle Information:

[Eaton \(formerly Cooper Bussmann\)](#)  
[BDS210](#)

For any questions, you can email us directly:

[sales@integrated-circuit.com](mailto:sales@integrated-circuit.com)

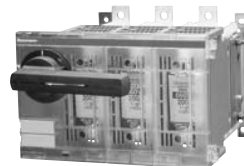
# Disconnect Switch

## Fusible, 60-100A, 600V

# BDF60 and BDF100



**BDF60J6**



**BDF100JT6**

**Catalog Symbols\*:** BDF60J6, BDF100JT6

**Ampere Rating:** 60 to 100 Amperes

**Voltage Rating:** 600 Volts

**Agency Approvals:**

UL Listed, Guide WPZX, File E155129

CSA Certified, File 58077M9

IEC 947-1

**General Information:**

Bussmann fused disconnect switches are UL 98/CSA 22.2 No. 4 devices. This makes them suitable for use on service equipment, panel boards, switchboards, industrial control equipment, motor control centers, etc.

\*Catalog symbol is for **switch only**. Handles and shafts are ordered separately.

| Fuse Type | Maximum Horsepower Rating |      |      |      |      |    |
|-----------|---------------------------|------|------|------|------|----|
|           | 200V                      | 208V | 240V | 480V | 600V |    |
| BDF60J6   | J                         | 15   | 15   | 15   | 30   | 40 |
| BDF100JT6 | J†                        | 25   | 25   | 30   | 40   | 50 |

†Class J fuses are standard. If 600V Class T fuses are desired, use BDTA1 adapters.

CE logo denotes compliance with European Union Low Voltage Directive (50-1000 VAC, 75-1500 VDC). Refer to BIF document #8002 or contact Bussmann Application Engineering at 814-527-1270 for more information.

**Components:**

**Handles**

| Style                            | NEMA Type | Color | Grip Length (Inches) | Marking | Padlock-able | Defeat-able | Catalog Number |
|----------------------------------|-----------|-------|----------------------|---------|--------------|-------------|----------------|
| <b>60-100A (□ 0.24" x 0.24")</b> |           |       |                      |         |              |             |                |
| Pistol                           | 1, 12     | Blk   | 3.15                 | Off/On  | Yes          | Yes         | BDH20          |
| Pistol                           | 1, 3R, 12 | Blk   | 2.36                 | Off/On  | Yes          | Yes         | BDH50          |
| Pistol                           | 4, 4X     | Blk   | 2.36                 | Off/On  | Yes          | No          | BDH57          |

**Terminal Lug Kits - Kit Includes 6 Lugs**

| Amp Rating | Wire Size          | Wire Type | Kit Catalog Number |
|------------|--------------------|-----------|--------------------|
| 100        | #14 - 2/0          | Cu/Al     | BDTL24             |
| 200        | #6 - 300 kcmil     | Cu/Al     | BDTL25             |
| 400        | #2 - 600 kcmil     | Cu/Al     | BDTL26             |
| 600 & 800  | (2) #2 - 600 kcmil | Cu/Al     | BDTL27             |

**Shafts**

| Mounting Depth**                       | Shaft Length | Catalog Number |
|--|--------------|----------------|
| <b>60 - 100 Amps (□ 0.24" x 0.24")</b> |              |                |
| 5.50 - 8.50                            | 5.90         | BDS150         |
| 8.00 - 11.00                           | 8.26         | BDS210         |
| 11.00 - 14.00                          | 11.41        | BDS290         |
| 13.75 - 16.75                          | 14.17        | BDS360         |
| 16.54 - 19.69                          | 16.93        | BDS430         |

\*\*Mounting depth is measured from outside panel door to mounting plate of disconnect. Shaft can be cut to desired length.

**Accessories:**

**Fuse Covers and Terminal Shrouds (line-side)**

| Amp Rating | Switch Type |         | Fuse Covers Catalog Number | Terminal Shrouds Catalog Number |
|------------|-------------|---------|----------------------------|---------------------------------|
|            | Fuse Type   | Voltage |                            |                                 |
| 60         | J           | 600V    | BDFC60J                    | Not Required                    |
| 100        | J or T      | 600V    | BDFC100                    | BDSF1                           |

**Auxiliary Contacts - F60 through F100**

| Switch Amp Rating | Aux. Contact Amp Rating | Voltage | 1 N.O. & 1 N.C. Catalog Number | 2 N.O. & 2 N.C. Catalog Number |
|-------------------|-------------------------|---------|--------------------------------|--------------------------------|
| 60                | 6                       | 250     | BDAUX7                         | BDAUX8                         |
| 100               | 6                       | 250     | BDAUX7                         | BDAUX8                         |

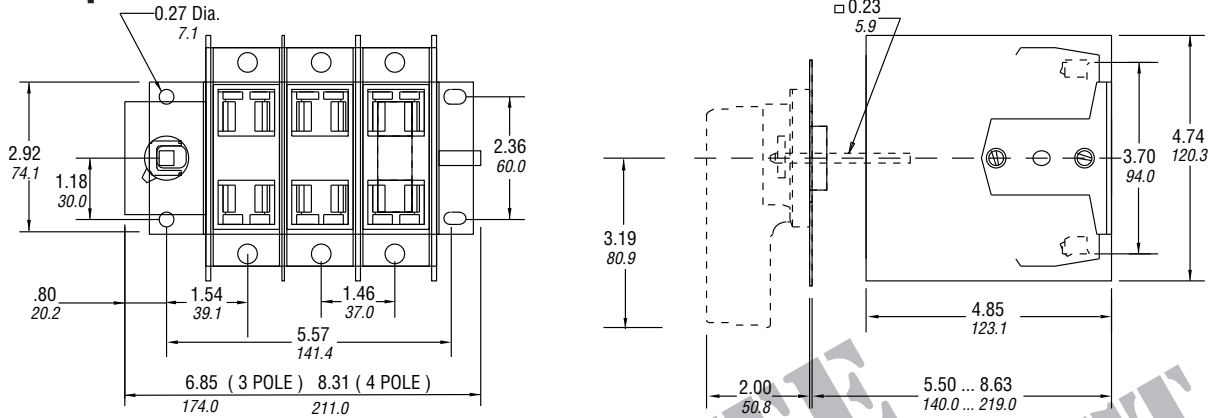
**Disconnect Switch**  
**Fusible, 60-100A, 600V**

**BDF60 and**  
**BDF100**

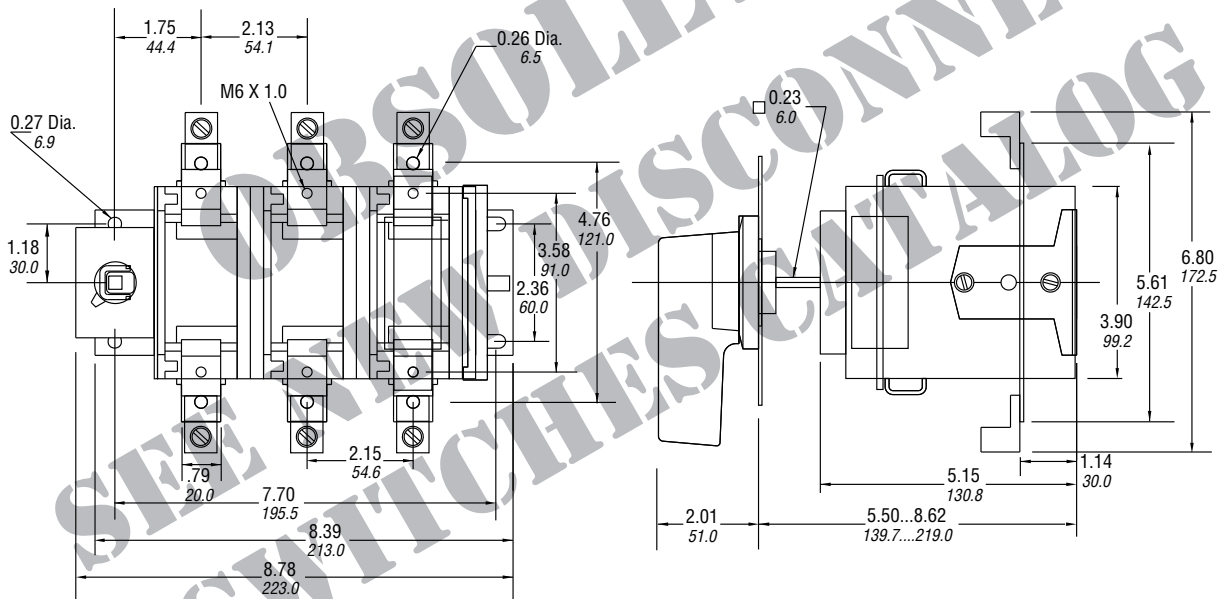
**Dimensional Data**

00.00 Inches  
 00.0 Millimeters

**60 Amps**



**100 Amps**



The only controlled copy of this BIF document is the electronic read-only version located on the Bussmann Network Drive. All other copies of this document are by definition uncontrolled. This bulletin is intended to clearly present comprehensive product data and provide technical information that will help the end user with design applications. Bussmann reserves the right, without notice, to change design or construction of any products and to discontinue or limit distribution of any products. Bussmann also reserves the right to change or update, without notice, any technical information contained in this bulletin. Once a product has been selected, it should be tested by the user in all possible applications.