

Excellent Integrated System Limited

Stocking Distributor

Click to view price, real time Inventory, Delivery & Lifecycle Information:

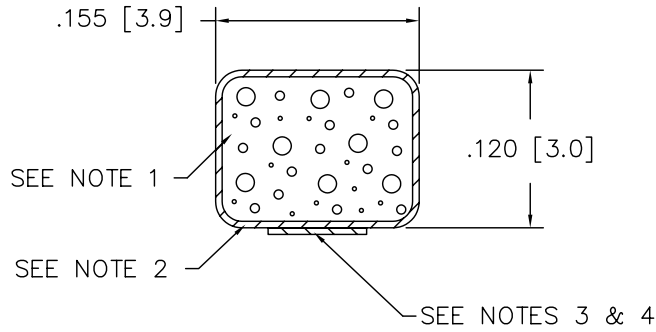
[Laird Technologies EMI](#)
[4209PA51H01800](#)

For any questions, you can email us directly:

sales@integrated-circuit.com

CONFIDENTIAL & PROPRIETARY

THIS INFORMATION IS CONFIDENTIAL AND PROPRIETARY TO LAIRD TECHNOLOGIES. IT MAY NOT BE DISCLOSED TO ANYONE OTHER THAN LAIRD TECHNOLOGIES PERSONNEL, WITHOUT WRITTEN AUTHORIZATION FROM LAIRD TECHNOLOGIES.



NOTES:

1. FOAM: POLYURETHANE
2. FABRIC: NICKEL PET-TAF FR Ecogreen
3. TAPE: .075" TAPE HI-TEMP
4. LINER: NO EXTENDED RELEASE LINER
5. FABRIC SEAM LOCATION MAY VARY.
6. THIS PART IS RoHS COMPLIANT

REVISIONS:	TITLE:	DRAWN	DATE	SCALE:	DIMENSIONS ARE IN INCHES. UNLESS OTHERWISE SPECIFIED, TOLERANCES ARE AS FOLLOWS:	
		GIBILTERRA	10/02/07	1/1		
		CHECKED BY:	DATE			
		FJG	10/02/07			
	Dwg. or Part No.	REV.	RELEASED BY:	DATE	DECIMALS	LENGTH
	4209-PA-51H	0	FJG	10/02/07	.XX ± .03	0" - 6" ± .030"
					.XXX ± .020	6" - 11" ± .050"
					ANGLES	
					11° - 48° ± .100°	
					48° - 70° ± .187°	
					± 1/2"	70° - 144° ± .250°

