



Distributor of CTS Electronic Components: Excellent Integrated System Limited

Datasheet of 212T0111S332RA - SW 125V ROTARY .75A S POLE 11POS

Contact us: sales@integrated-circuit.com Website: www.integrated-circuit.com

Excellent Integrated System Limited

Stocking Distributor

Click to view price, real time Inventory, Delivery & Lifecycle Information:

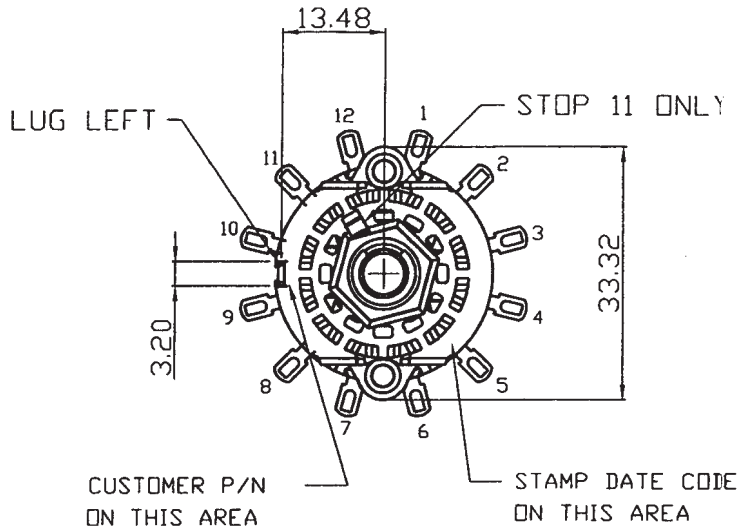
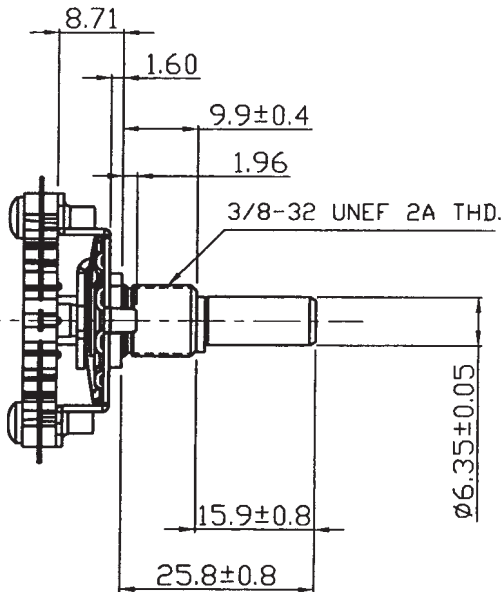
[CTS Electronic Components](#)

[212T0111S332RA](#)

For any questions, you can email us directly:

sales@integrated-circuit.com

UNIT : MM



POSITION :		11					
POSITION	CHECK BETWEEN TERMINALS	OPEN	CLOSED	POSITION	CHECK BETWEEN TERMINALS	OPEN	CLOSED
11	12 - 11		X				
10	12 - 10		X				
9	12 - 9		X				
8	12 - 8		X				
7	12 - 7		X				
6	12 - 6		X				
5	12 - 5		X				
4	12 - 4		X				
3	12 - 3		X				
	12 - 1	X					
2	12 - 2		X				
	12 - AD	X					
1	12 - 1		X				
POSITION	CHECK BETWEEN TERMINALS	OPEN	CLOSED	POSITION	CHECK BETWEEN TERMINALS	OPEN	CLOSED
CIRCUIT				CONNECTIONS			

NOTES :

- DIMENSIONS FOLLOWED BY REF. ARE FOR INFORMATION PURPOSES ONLY AND WILL NOT GOVERN INSPECTION OR PRODUCTION OPERATION
- LOCK WASHER , MOUNTING NUT & ADJUST STOP MUST BE SHIPPED SEPARATELY (UNASSEMBLED) FROM SELECTOR SWITCH
 LOCKWASHER P/N 1220A
 MOUNTING NUT P/N 45T-3
 ADJUST STOP P/N 215-33-003-01-53
- STOPS MUST BE LOCATED ON POSITION 11 ONLY
- WAFER CONFROM TO 212-95-T31-00-00
- SHORTING CONTACTS AT ALL POSITIONS
- FOR ADDITIONAL REQUIREMENTS SEE CTS ENG. SPEC #EN-SPE-212001A

CTS COMPONENTS TAIWAN LTD.
 KAOHSIUNG, TAIWAN, ROC

CAD LIST : ACAD(A)-RDC-227
 FILE NAME : 111S332R

PART NO.	212T0111S332RA	REV	CUSTOMER :	DIGI-KEY
SCALE :	N/A	TOLERANCE UNLESS OTHERWISE SPECIFIED	DRAWN BY :	C.E.Chen
CTS TYPE :	212-T212-1	.X (1 PLACE) : ± 0.3 .XX (2 PLACE) : ± 0.13 ANGLE : ± 1°	CHECKED BY :	
			APPROVED BY :	
			ISSUED DATE :	08/15/06

CTS COMPONENTS TAIWAN, LTD.

ENGINEERING SPECIFICATION		SPEC NO. EN-SPE-212001A
SPECIFICATION : 212 SERIES SELECTOR SWITCH	DATE 03-19-02'	PAGE OF 1 OF 2

1.0 GENERAL :

- 1.0 THIS SPECIFICATION APPLIES TO THE SELECTOR SWITCH 212 SERIES (ROTARY TYPE) STANDARD AND CUSTOMER CONFIGURATION
- 1.1 OPERATING TEMPERATURE RANGE : -20 °C TO +110 °C
- 1.2 STORAGE TEMPERATURE RANGE : -20 °C TO +110 °C

2.0 MECHANICAL CHARACTERISTICS :

- 2.1 INDEXING : DOUBLE BUMP SPRING HILL AND VALLEY DETENT WITH 30° INDEXING FOR 2 THROUGH 12 POSITIONS OR CONTINUOUS ROTATION
- 2.2 DETENT ROTATIONAL LIFE : 25,000 CYCLES THRU 12 POSITIONS AND RETURN AT 10 CYCLES PER MINUTE

TORQUE : AS REQUIRED UP TO 48 inch. oz (3.4 kg-cm)

- 2.3 STOP STRENGTH :
STANDARD : 15 inch-lbs (17 kg-cm)

2.4 MATERIAL :

SHAFT :

- ALUM BRASS BRASS WITH NI-PLATED
- BRASS WITH ZINC PLATED _____

BUSHING :

- BRASS WITH NI-PLATED BRASS WITH ZINC PLATED
- BRASS _____

DETENT SPRING : STAINLESS STEELS, OR SPRING BRASS DEPENDING ON TORQUE REQUIREMENT.

DETENT PLATE : STEEL

CONTACT : SILVER PLATED PHOSOPHER BRONZE

TERMINAL : SILVER PLATED BRASS STANDARD

STATOR : GLASS REINFORCED PPA UL FLAME CLASS 94V-0

ROTOR AND ROTOR COVER : NYLON 66 UL FLAME CLASS 94V-2

A	ITEM 4.0 ADDED	08-02-05	SM				
0	RELEASED	03-19-02	ML				
SYM	REVISION	DATE	BY	SYM	REVISION	DATE	BY

WRITTEN BY : S.M.TSAI REVIEWED BY : H.Y.LIN APPROVED BY : T.J.LEE	CUSTOMER : GENERAL DISTRIBUTION :
---	--------------------------------------

CTS COMPONENTS TAIWAN, LTD.

ENGINEERING SPECIFICATION		SPEC NO. EN-SPE-212001A
SPECIFICATION : 212 SERIES SELECTOR SWITCH	DATE 03-19-02'	PAGE OF 2 OF 2

3.0 ELECTRICAL CHARACTERISTICS :

3.1 CONTACT RESISTANCE : 0.015 OHMS MAX MEASURED FROM ONE TERMINAL TO AN ADJACENT TERMINAL. (WHEN IS NOT ADJACENT, UP TO 180° APART, WILL MEASURE MUCH HIGHER DUE TO THE EXTRA METAL IN THE CIRCUIT) . THE CIRCUIT RESISTANCE CHECK MEASURE ALL THE METAL IN THE CIRCUIT.

3.2 CONTACT LIFE : ROTATION THROUGH 12 POSITIONS AND RETURN WITHOUT APPRECIABLE RISE IN CONTACT RESISTANCE
 UNLOADED : 50,000 CYCLES
 LOADED (RESISTIVE) : 10,000 CYCLES

3.3 RATING :
 ¾ AMP @ 125 VAC
 ¼ AMP @ 250 VDC (SHORTING TYPE ONLY)
 ½ AMP @ 125 VDC (SHORTING TYPE ONLY)
 ¼ AMP @ 28 VDC (SPECIAL RATING)

3.4 HI POT TEST :
 BETWEEN ADJACENT 15 DEG. CIRCUITS : 750 VAC RMS FOR 1 MINUTE
 BETWEEN GROUND AND NEAREST TERMINAL : 1500 VAC FOR 1 MINUTE
 THE TEST VOLTAGE SHALL BE APPLIED BETWEEN ALL EVEN-NUMBERED CONTACTS TIED TOGETHER AND ALL ODD-NUMBERED CONTACTS TIED TOGETHER AND BETWEEN EACH OF THIS GROUP AND THE SWITCH FRAME FOR EACH SWITCH.

4.0 RoHS COMPLIANCE : THIS PART IS COMPLIANT WITH EU RoHS DIRECTIVE.

SYM	REVISION	DATE	BY	SYM	REVISION	DATE	BY
WRITTEN BY : S.M.TSAI				CUSTOMER : GENERAL			
REVIEWED BY : H.Y.LIN				DISTRIBUTION :			
APPROVED BY : T.J.LEE							

