

Excellent Integrated System Limited

Stocking Distributor

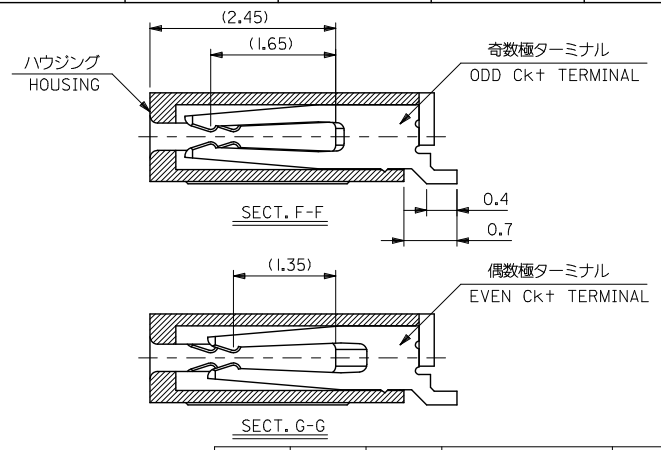
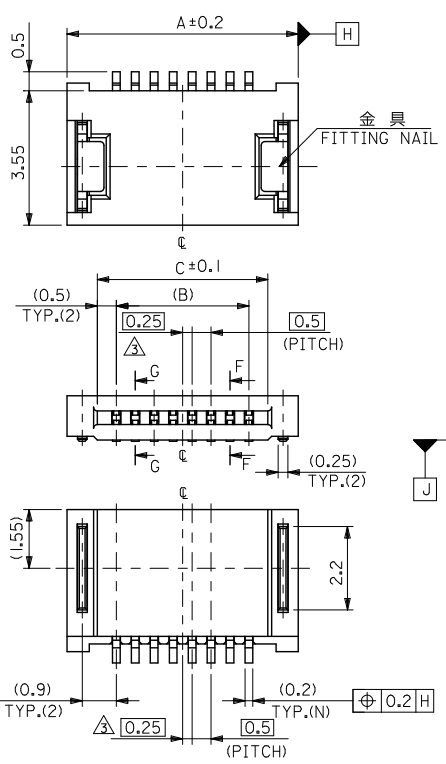
Click to view price, real time Inventory, Delivery & Lifecycle Information:

[Molex Connector Corporation](#)
[0512812494](#)

For any questions, you can email us directly:

sales@integrated-circuit.com

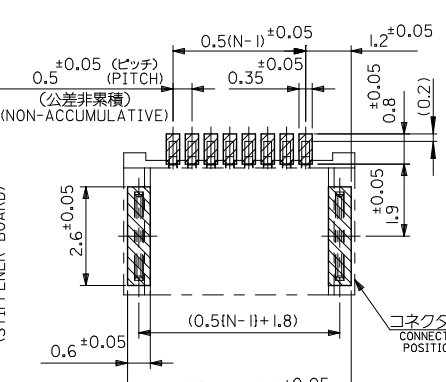
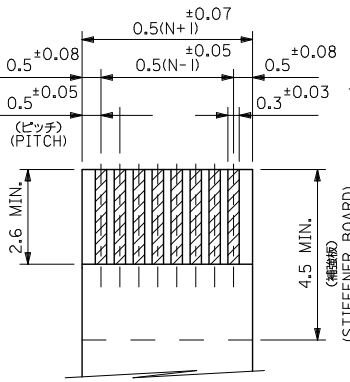
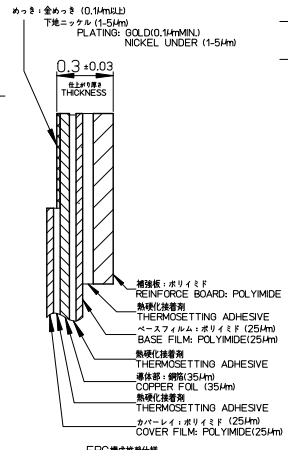
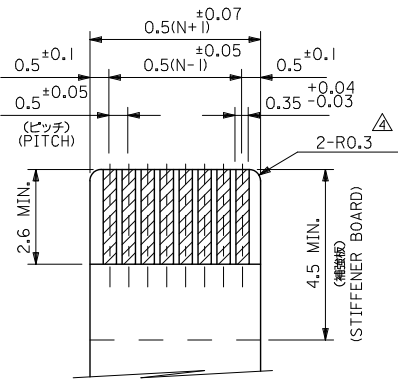
10 9 8 7 6 5 4 3 2 1



13.5	12.5	15.1	51281-2694	26
12.5	11.5	14.1	51281-2494	24
11.5	10.5	13.1	51281-2294	22
10.5	9.5	12.1	51281-2094	20
9.5	8.5	11.1	51281-1894	18
8.5	7.5	10.1	51281-1694	16
7.5	6.5	9.1	51281-1494	14
6.5	5.5	8.1	51281-1294	12
6.0	5.0	7.6	51281-1194	11
5.5	4.5	7.1	51281-1094	10
5.0	4.0	6.6	51281-0994	9
4.5	3.5	6.1	51281-0894	8
4.0	3.0	5.6	51281-0794	7
3.5	2.5	5.1	51281-0694	6
3.0	2.0	4.6	51281-0594	5
C	B	A	EMBOSSED TAPE	CIRCUIT
CONNECTOR SERIES NO. : 51281-***40				
ORDER No. オーダー番号				

REVISED EC NO. J2011-0538 DRAWN: TONO 2010/10/12 CHKD: H. UJIMA 2010/10/12 APPR: K. MORIKAWA 2010/10/13	GENERAL TOLERANCES (UNLESS SPECIFIED)		DIMENSION STYLE	SCALE	DESIGN UNITS	THIRD ANGLE PROJECTION	
	10 UNDER	± 0.2	MM ONLY	---	METRIC		
	10 OVER 30 UNDER	± 0.25					
	30 OVER	± 0.3					
	ANGULAR	$\pm 3^\circ$					
	DRAFT WHERE APPLICABLE MUST REMAIN WITHIN DIMENSIONS		SEE TABLE				
			DRAWN BY KENSUZUKI DATE 2004/10/19		TITLE 0.5 FPC CONN NON-ZIF HSG ASSY (HGT=1.2MM)		
			CHECKED BY NUKITA DATE 2004/10/19		MOLEX INCORPORATED		
			APPROVED BY K. MORIKAWA DATE 2010/10/13		DOCUMENT NO. SD-51281-011		
			MATERIAL NO.		SHEET NO. 1 OF 2		
			THIS DRAWING CONTAINS INFORMATION THAT IS PROPRIETARY TO MOLEX INCORPORATED AND SHOULD NOT BE USED WITHOUT WRITTEN PERMISSION				

10 9 8 7 6 5 4 3 2 1



適合FPC推奨寸法
APPLICABLE FPC
RECOMMENDED DIMENSION
(仕上がり厚さ: 0.3 ±0.03)
(THICKNESS: 0.3 ±0.03)

適合FFC推奨寸法
APPLICABLE FFC
RECOMMENDED DIMENSION
(仕上がり厚さ: 0.3 ±0.03)
(THICKNESS: 0.3 ±0.03)

参考基板レイアウト図
RECOMMENDED P.C. BOARD LAYOUT
(マウント面)
(MOUNTING SIDE)

注記 NOTES

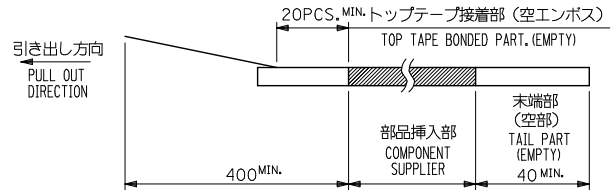
- 使用材料 MATERIAL
ハウジング: 液晶ポリマー ガラス充填 UL94V-0
HOUSING: LIQUID CRYSTAL POLYMER (GLASS FILLED) UL94V-0
ターミナル: リン青銅 (t=0.2), ニッケル下地
TERMINAL: PHOSPHOR-BRONZE, TAIL: TIN
CONTACT: GOLD OVER NICKEL PLATING
金具: リン青銅 (t=0.25), ニッケル下地 純銅メッキ
FITTING NAIL: PHOSPHOR-BRONZE, PURE-TIN OVER NICKEL PLATING.
- ハンダ付けは、導体側から補強板側を推奨いたします。
導体側については軟銅箔 35μm または 50μm
メッキ厚 0.1μm 以上 金メッキ (電気メッキ)
を推奨いたします。
RECOMMENDED PUNCHER DIRECTION:
FROM CONDUCTOR SIDE TO STIFFENER BOARD SIDE.
RECOMMENDED CONDUCTOR SPEC:
THICKNESS OF SOFT COPPER FOIL: 35 μm or 50 μm
GOLD PLATING: 0.1 μm MIN. (ELECTRICAL PLATING)
- R.O. 3は、FPCの導体部にかからないこと。
R.O.3 MUST NOT BE ERLAPPED TO PATTERN OF FPC.
- FPC/FFCについて:
打抜き方向は導体側から補強板側を推奨いたします。
導体側については軟銅箔 35μm または 50μm
メッキ厚 0.1μm 以上 金メッキ (電気メッキ)
を推奨いたします。
RECOMMENDED PUNCHER DIRECTION:
FROM CONDUCTOR SIDE TO STIFFENER BOARD SIDE.
RECOMMENDED CONDUCTOR SPEC:
THICKNESS OF SOFT COPPER FOIL: 35 μm or 50 μm
GOLD PLATING: 0.1 μm MIN. (ELECTRICAL PLATING)

- 本製品は51281-**-**20の鉛フリー品である。
THIS PRODUCT IS LEAD FREE OF 51281-**-**20.
- ハンダ付けの平坦度は、0.1 MAXIMUMとする。
SOLDER TAIL COPLANARITY IS 0.1 MAXIMUM.
- ELV 及び RoHS 適合品。
ELV AND RoHS COMPLIANT.

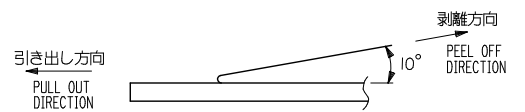
REVISED EC NO. J2011-0538 DRAWN: TONO 2010/10/12 CHKD: H. IJIMA 2010/10/12 APPR: K. MORIKAWA 2010/10/13	GENERAL TOLERANCES (UNLESS SPECIFIED)		DIMENSION STYLE MM ONLY		SCALE ---	DESIGN UNITS METRIC	THIRD ANGLE PROJECTION
	10 UNDER	±0.2	DRAWN BY KENSUZUKI	DATE 2004/10/19	TITLE 0.5 FPC CONN NON-ZIF HSG ASSY (HGT=1.2MM)		
10 OVER	30 UNDER	±0.25	CHECKED BY NUKITA	DATE 2004/10/19	MOLEX INCORPORATED		
30 OVER	ANGULAR	±0.3	APPROVED BY KMORIKAWA	DATE 2010/10/13	DOCUMENT NO. SD-51281-011		
DRAFT WHERE APPLICABLE MUST REMAIN WITHIN DIMENSIONS		±3 °	MATERIAL NO. SEE SHEET 1 OF 2		SHEET NO. 2 OF 2		
SIZE A3 THIS DRAWING CONTAINS INFORMATION THAT IS PROPRIETARY TO MOLEX INCORPORATED AND SHOULD NOT BE USED WITHOUT WRITTEN PERMISSION							

NOTES

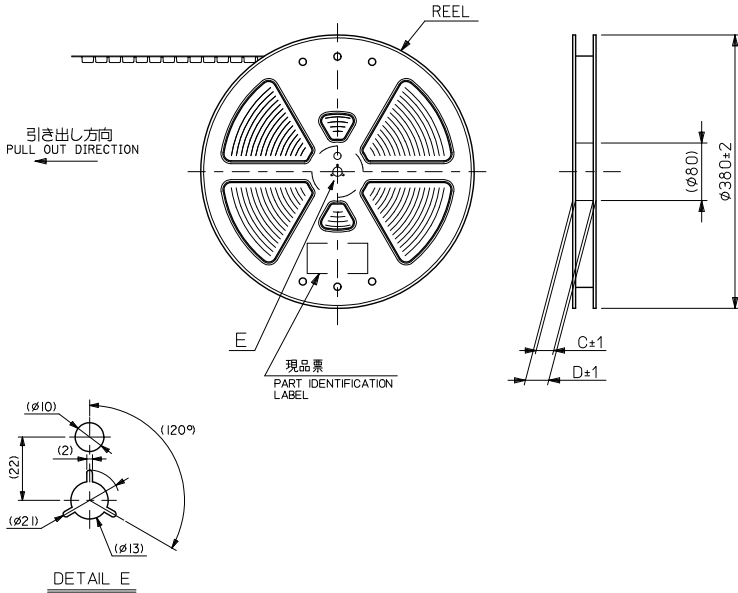
1. 製品詳細寸法については図面 SD-51281-011 を参照下さい。
RE DETAILED DIMENSION, SEE SD-51281-011
2. 梱包数量: 3000個/リール
NUMBER OF CONNECTORS: 3000PCS/REEL
3. リードテープ長さ LEAD TAPE LENGTH



4. トップテープの剥離強度: 0.1N~1.3N {10gf~130gf} (剥離方向は下図参照)
尚、本規格値は出荷時に適用。(但し、輸送時に剥離が発生しないこと。)
PEELING OFF FORCE OF TOP TAPE: 0.1N~1.3N {10gf~130gf} (PEELING DIRECTION AS SHOWN IN FOLLOWING FIG.)
THIS REQUIREMENT SHOULD BE APPLIED AT SHIPMENT. PEEL OFF SHOULD NOT BE ALLOWED, DURING TRANSPORTATION.

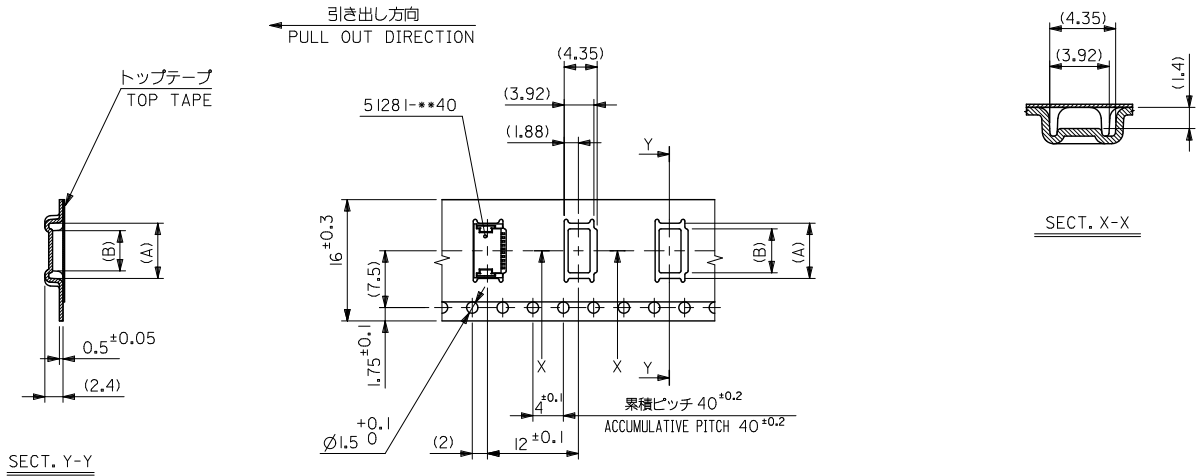


5. 材料 (MATERIAL)
キャリアテープ (CARRIER TAPE): ポリプロピレン (POLYPROPYLENE)
トップテープ (TOP TAPE): PET, PE, PEF
リール (REEL): ポリスチレン (PS) <リサイクル材含む>
POLYSTYREN (PS) <RECYCLE MATERIAL CONTAINED>
6. C, D 寸法は SHEET 2 ~ 3 を参照下さい。
SEE SHEET 2 ~ 3 (DIMENSION C, D).
7. ELV 及び RoHS 適合品。
ELV AND RoHS COMPLIANT.



REVISED EC NO. J2010-2187 DRAWN: TONO 2010/04/30 CHKD: H. UJIMA 2010/09/15 APPR: K. MORIKAWA 2010/10/04	GENERAL TOLERANCES (UNLESS SPECIFIED)		DIMENSION STYLE MM ONLY	SCALE ---	DESIGN UNITS METRIC	THIRD ANGLE PROJECTION
	10 UNDER	± 0.2	DRAWN BY KENSUZUKI	DATE 2004/10/19	TITLE 0.5 FPC CONN NON-ZIF (HGT=1.2MM) EMBSTP PKG	
	10 OVER 30 UNDER	± 0.25	CHECKED BY NUKITA	DATE 2004/10/19	MOLEX INCORPORATED	
	30 OVER	± 0.3	APPROVED BY NUKITA	DATE 2004/10/19	DOCUMENT NO. SD-51281-012	SHEET NO. 1 OF 4
ANGULAR ± 3 °		MATERIAL NO. SEE SHEET 2~4		THIS DRAWING CONTAINS INFORMATION THAT IS PROPRIETARY TO MOLEX INCORPORATED AND SHOULD NOT BE USED WITHOUT WRITTEN PERMISSION		
DRAFT WHERE APPLICABLE MUST REMAIN WITHIN DIMENSIONS						

10 9 8 7 6 5 4 3 2 1



16mm幅キャリアテープ
16mm WIDTH CARRIER TAPE

16	21.4	17.4	4.3	6.3	51281-0894	8	
			3.8	5.8	51281-0794	7	
			3.3	5.3	51281-0694	6	
			2.8	4.8	51281-0594	5	
キャリアテープ幅 CARRIER TAPE WIDTH		D	C	(B)	(A)	製品番号 MATERIAL No.	極数 CIRCUIT

REVISED EC NO. J2010-2187 DRAWN: TONO 2010/04/30 CHIKDHUJIMA 2010/09/15 APPR: MORIKAWA 2010/10/04 DESCRIPTION REV	GENERAL TOLERANCES (UNLESS SPECIFIED)		DIMENSION STYLE MM ONLY		SCALE ---	DESIGN UNITS METRIC	THIRD ANGLE PROJECTION
	10 UNDER	± 0.2	DRAWN BY KENSUZUK	DATE 2004/10/19	TITLE 0.5 FPC CONN NON-ZIF (HGT=1.2MM) EMBSTP PKG		
	10 OVER 30 UNDER	± 0.25	CHECKED BY NUKITA	DATE 2004/10/19	MOLEX INCORPORATED		
	30 OVER	± 0.3	APPROVED BY NUKITA	DATE 2004/10/19	MATERIAL NO.	DOCUMENT NO.	SHEET NO.
	ANGULAR ± 3 °		SEE TABLE		SD-51281-012	2 OF 4	
DRAFT WHERE APPLICABLE MUST REMAIN WITHIN DIMENSIONS		THIS DRAWING CONTAINS INFORMATION THAT IS PROPRIETARY TO MOLEX INCORPORATED AND SHOULD NOT BE USED WITHOUT WRITTEN PERMISSION					

10 9 8 7 6 5 4 3 2 1

F

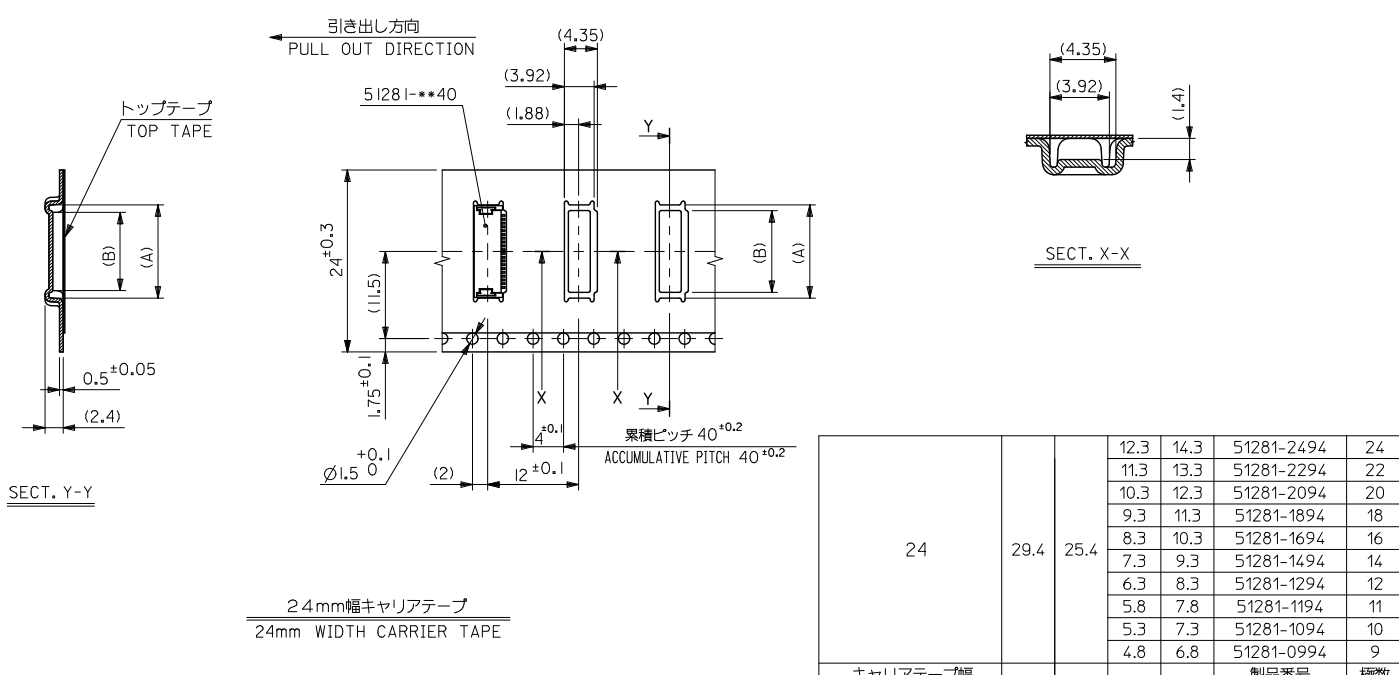
E

D

C

B

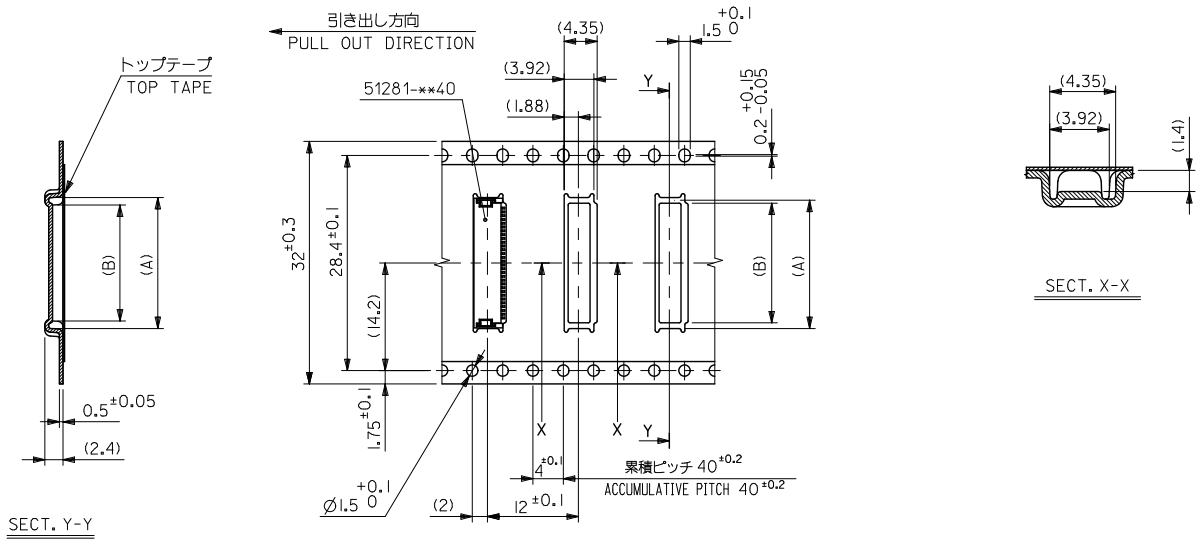
A



24mm幅キャリアテープ
24mm WIDTH CARRIER TAPE

REVISED EC NO. J2010-2187 DRAWN: TONO 2010/04/30 CHIKDHUJIMA 2010/09/15 APPR: MORIKAWA 2010/10/04 DESCRIPTION REV	GENERAL TOLERANCES (UNLESS SPECIFIED)		DIMENSION STYLE MM ONLY		SCALE ---	DESIGN UNITS METRIC	THIRD ANGLE PROJECTION
	10 UNDER	± 0.2	DRAWN BY KENSUZUKI	DATE 2004/10/19	TITLE 0.5 FPC CONN NON-ZIF (HGT=1.2MM) EMBSTP PKG		
	10 OVER 30 UNDER	± 0.25	CHECKED BY NUKITA	DATE 2004/10/19	MOLEX INCORPORATED		
	30 OVER	± 0.3	APPROVED BY NUKITA	DATE 2004/10/19	MATERIAL NO. SEE TABLE	DOCUMENT NO. SD-51281-012	SHEET NO. 3 OF 4
ANGULAR ± 3 °		DRAFT WHERE APPLICABLE MUST REMAIN WITHIN DIMENSIONS		THIS DRAWING CONTAINS INFORMATION THAT IS PROPRIETARY TO MOLEX INCORPORATED AND SHOULD NOT BE USED WITHOUT WRITTEN PERMISSION			

10 9 8 7 6 5 4 3 2 1



32mm幅キャリアテープ
32mm WIDTH CARRIER TAPE

32	37.4	33.4	13.3	15.3	51281-2694	26
キャリアテープ幅 CARRIER TAPE WIDTH	D	C	(B)	(A)	製品番号 MATERIAL No.	極数 CIRCUIT

REVISED EC NO. J2010-2187 DRAWN: TONO 2010/04/30 CHKD: H. UJIMA 2010/09/15 APPR: K. MORIKAWA 2010/10/04	GENERAL TOLERANCES (UNLESS SPECIFIED)		DIMENSION STYLE MM ONLY		SCALE ---	DESIGN UNITS METRIC	THIRD ANGLE PROJECTION
	10 UNDER	±0.2	DRAWN BY KENSUZUKI	DATE 2004/10/19	TITLE 0.5 FPC CONN NON-ZIF (HGT=1.2MM) EMBSTP PKG		
	10 OVER 30 UNDER	±0.25	CHECKED BY NUKITA	DATE 2004/10/19	MOLEX INCORPORATED		
	30 OVER	±0.3	APPROVED BY NUKITA	DATE 2004/10/19	MATERIAL NO. SEE TABLE	DOCUMENT NO. SD-51281-012	SHEET NO. 4 OF 4
ANGULAR ±3 °		DRAFT WHERE APPLICABLE MUST REMAIN WITHIN DIMENSIONS		THIS DRAWING CONTAINS INFORMATION THAT IS PROPRIETARY TO MOLEX INCORPORATED AND SHOULD NOT BE USED WITHOUT WRITTEN PERMISSION			