

Excellent Integrated System Limited

Stocking Distributor

Click to view price, real time Inventory, Delivery & Lifecycle Information:

[Phoenix Contact](#)
[1770940](#)

For any questions, you can email us directly:
sales@integrated-circuit.com



Extract from the online catalog

PTSM 0,5/ 8-2,5-H THR R32

Order No.: 1770940



<http://eshop.phoenixcontact.de/phoenix/treeViewClick.do?UID=1770940>

PC terminal block, Nominal current: 6 A, Nom. voltage: 63 V, Pitch: 2.5 mm, Number of positions: 8, Type of connection: Spring-cage conn., Assembly: SMD/THT/THR, Conductor/PCB connection direction: 0 °, Color: black

Commercial data

EAN	4046356459525
Pack	530 pcs.
Customs tariff	85369010
Weight/Piece	0.002504 KG
Catalog page information	Page 463 (CC-2009)

<http://www.download.phoenixcontact.com>
 Please note that the data given here has been taken from the online catalog. For comprehensive information and data, please refer to the user documentation. The General Terms and Conditions of Use apply to Internet downloads.

Technical data

Dimensions / positions

Length	10 mm
Pitch	2.5 mm
Dimension a	17.5 mm
Number of positions	8
Pin dimensions	0,3 X 0,8 mm
Pin spacing	2.5 mm
Hole diameter	1.2 mm

PTSM 0,5/ 8-2,5-H THR R32 Order No.: 1770940

<http://eshop.phoenixcontact.de/phoenix/treeViewClick.do?UID=1770940>
Technical data

Insulating material group	IIIa
Rated surge voltage (III/3)	2.5 kV
Rated surge voltage (III/2)	2.5 kV
Rated surge voltage (II/2)	2.5 kV
Rated voltage (III/2)	200 V
Rated voltage (II/2)	200 V
Connection in acc. with standard	EN-VDE
Nominal current I_N	6 A
Nominal voltage U_N	63 V
Nominal cross section	0.5 mm ²
Maximum load current	6 A
Insulating material	LCP
Inflammability class acc. to UL 94	V0
Stripping length	6 mm

Connection data

Conductor cross section solid min.	0.14 mm ²
Conductor cross section solid max.	0.5 mm ²
Conductor cross section stranded min.	0.2 mm ²
Conductor cross section stranded max.	0.5 mm ²
Conductor cross section stranded, with ferrule without plastic sleeve min.	0.25 mm ²
Conductor cross section stranded, with ferrule without plastic sleeve max.	0.5 mm ²
Conductor cross section AWG/kcmil min.	24
Conductor cross section AWG/kcmil max	20

Certificates / Approvals

Certification CUL, UL

CUL

Nominal voltage U_N	150 V
Nominal current I_N	5 A
AWG/kcmil	26-20

PTSM 0,5/ 8-2,5-H THR R32 Order No.: 1770940

<http://eshop.phoenixcontact.de/phoenix/treeViewClick.do?UID=1770940>

UL

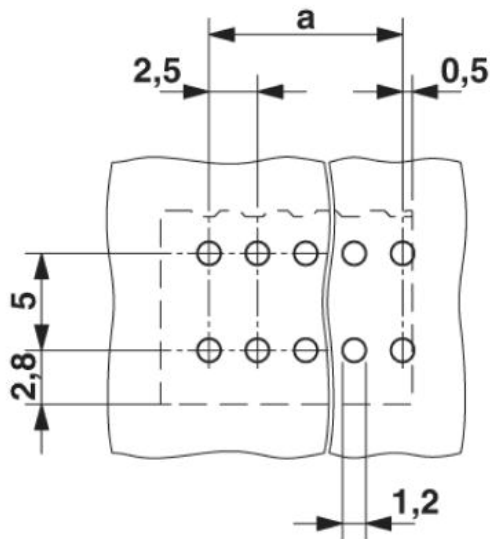
Nominal voltage U_N	150 V
Nominal current I_N	5 A
AWG/kcmil	26-20

Accessories

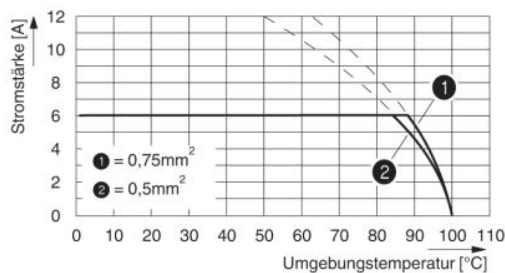
Item	Designation	Description
Tools		
1205202	SZS 0,4X2,0	Screwdriver, bladed, matches all screw terminal blocks up to 1.5 mm ² connection cross section, blade width: 2.5 mm, without approvals

Diagrams/Drawings

Drilling plan/solder pad geometry



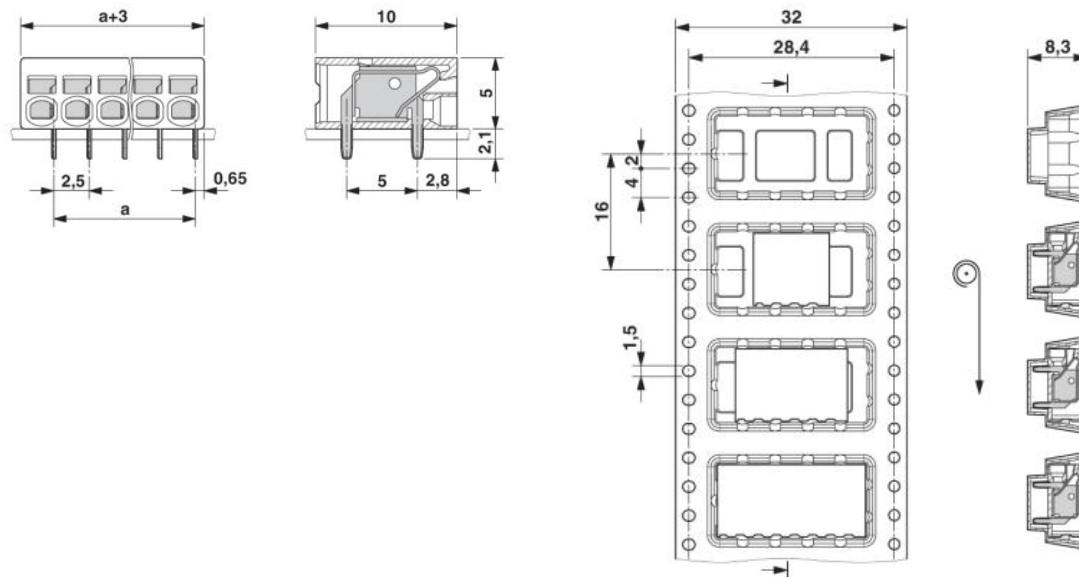
Diagram



PTSM 0,5/ 8-2,5-H THR R32 Order No.: 1770940

<http://eshop.phoenixcontact.de/phoenix/treeViewClick.do?UID=1770940>

Dimensioned drawing



PTSM 0,5/ 8-2,5-H THR R32 Order No.: 1770940

<http://eshop.phoenixcontact.de/phoenix/treeViewClick.do?UID=1770940>

Address

PHOENIX CONTACT Inc., USA
586 Fulling Mill Road
Middletown, PA 17057, USA
Phone (800) 888-7388
Fax (717) 944-1625
<http://www.phoenixcon.com>



© 2010 Phoenix Contact
Technical modifications reserved;