

Excellent Integrated System Limited

Stocking Distributor

Click to view price, real time Inventory, Delivery & Lifecycle Information:

[TDK Corporation](#)
[PS2220P02](#)

For any questions, you can email us directly:

sales@integrated-circuit.com

TDK CO. Ltd.

Aug-04

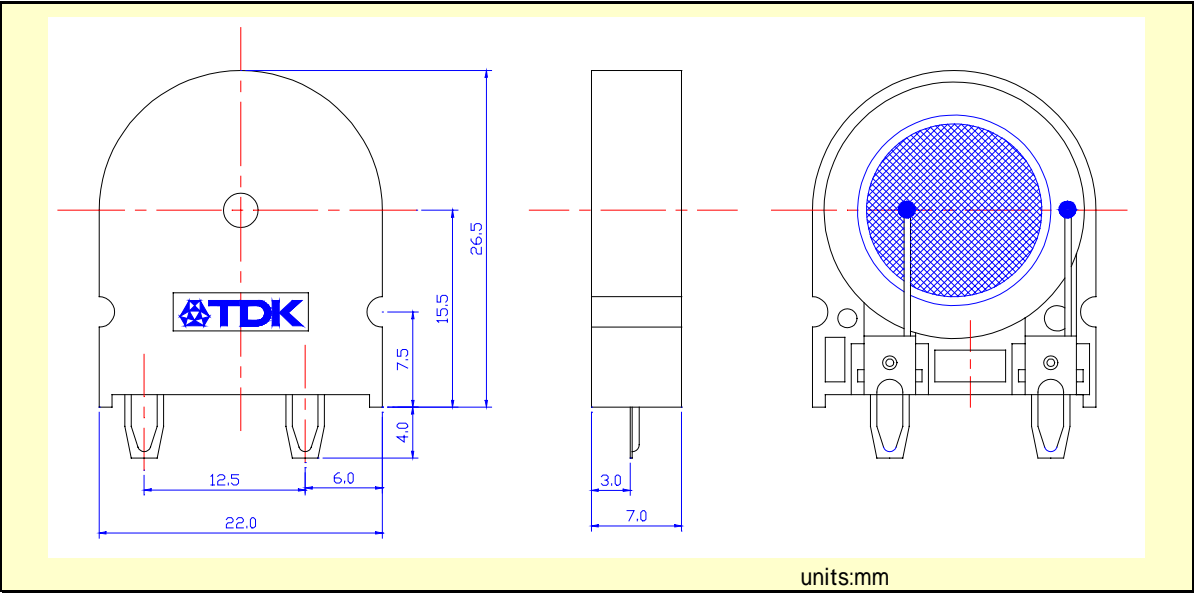
**VERTICAL 2KHz PIEZOELECTRIC SOUNDER
PS2220P02**

1 . Special Notes

- 1) Green procurement (Lead-free) *
- 2) Allows for minimal mounting space with vertical mounting

*1): Does not include the piezo as RoHS

2 . Product Dimensons



3 . Characteristics

Sound pressure : 75dBA/10cm MIN
 at 2.0kHz 3V_{0-P} square wave
 *Measure conditions: Temperature 25 ± 5 , Humidity 60 ± 10%

4 . MAX input Voltage

20V_{0-P} MAX
 (But no DC bias)

5 . Production plan

Production date : Oct 2004 ~
 packaging units MIN : 2100PCS
 order units MIN : 2100PCS