

Excellent Integrated System Limited

Stocking Distributor

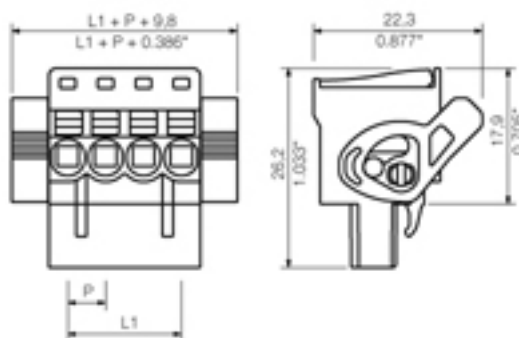
Click to view price, real time Inventory, Delivery & Lifecycle Information:

[Weidmüller](#)
[1002650000](#)

For any questions, you can email us directly:

sales@integrated-circuit.com

Product catalogue | PCB connection systems | PCB plug-in connectors | Pitch 5.00 / 5.08 mm (0.197 / 0.200 inch) | Female PUSH IN socket block with spring connection in 5.00/5.08 pitch | BLF 5.00-5.08/90/270 | BLF 5.08/90LH SN


General ordering data

| | |
|------------------|---|
| Order No. | 1002650000 |
| Part designation | BLF 5.08/19/90LH SN OR BX |
| Version | PCB plug-in connector, PUSH IN, Clamping range, max.: 3.31 mm ² , Pitch in mm: 5.08 mm, No. of poles: 19, 90°, Box |
| EAN | 4032248695027 |
| Qty. | 12 pc(s). |
| Packaging | Box |

System parameters

| | |
|---|------------------------|
| Conductor connection system | PUSH IN |
| Outgoing direction of conductor | 90° |
| Pitch in mm | 5.08 mm |
| Pitch in inch | 0.2 inch |
| No. of poles | 19 |
| No. of rows | 1 |
| Screwdriver blade | 0.6 x 3.5 |
| Screwdriver blade standard | DIN 5264 |
| Stripping length | 10 mm |
| L1 in mm | 91.44 mm |
| L1 in inch | 3.6 inch |
| Electric shock protection to DIN VDE 0470 | IP 20 |
| Electric shock protection to DIN VDE 57 106 | Safe from finger touch |

Material data

| | |
|--------------------------|---------------------|
| Insulating material | PBT |
| Colour | Orange |
| colour chart | Similar to RAL 2000 |
| Flammability class UL 94 | V-0 |
| Contact material | CuSn |
| Contact surface | tinned |
| Contact base material | CuSn |

Product catalogue | PCB connection systems | PCB plug-in connectors | Pitch 5.00 / 5.08 mm (0.197 / 0.200 inch) | Female PUSH IN socket block with spring connection in 5.00/5.08 pitch | BLF 5.00-5.08/90/270 | BLF 5.08/90LH SN

Connectable conductors

| | |
|---|----------------------|
| Clamping range, min. | 0.13 mm ² |
| Clamping range, max. | 3.31 mm ² |
| Conductor connection cross-section AWG, min. | AWG 26 |
| Conductor connection cross-section AWG, max. | AWG 12 |
| Solid, min. H05(07) V-U | 0.2 mm ² |
| Solid, max. H05(07) V-U | 2.5 mm ² |
| Stranded, max. H07V-R | 2 mm ² |
| Stranded, min. H07V-R | 0 mm ² |
| Flexible, min. H05(07) V-K | 0.2 mm ² |
| Flexible, max. H05(07) V-K | 2.5 mm ² |
| w. wire end ferrule, DIN 46228 pt 1, min. | 0.2 mm ² |
| with wire end ferrule, DIN 46228 pt 1, max. | 2.5 mm ² |
| w. plastic collar ferrule, DIN 46228 pt 4, min. | 0.2 mm ² |
| with plastic collar ferrule, DIN 46228 pt 4, max. | 2.5 mm ² |
| Gauge to EN 60999 a x b; ø | 2.4 mm x 1.5 mm |

DIN IEC rating data

| | |
|--|-------------------|
| Rated current, min. No. of poles (Tu=20°C) | 18.5 A |
| Rated current, max. No. of poles (Tu=20°C) | 6 A |
| Rated current, no. of poles (Tu=40°C), min. | 12.5 A |
| Rated current, no. of poles (Tu=40°C), max. | 6 A |
| Rated voltage for overvoltage class/pollution severity II/2 | 400 V |
| Rated voltage for overvoltage class/pollution severity III/2 | 320 V |
| Rated voltage at overvoltage category/pollution degree III/3 | 250 V |
| Rated impulse withstand voltage for overvoltage class/pollution severity II/2 | 4 kV |
| Rated impulse withstand voltage for overvoltage class/pollution severity III/2 | 4 kV |
| Rated impulse withstand voltage for overvoltage class/pollution severity III/3 | 4 kV |
| Short-time withstand current resistance | 3 x 1s with 120 A |

Approvals

| | |
|----------------------|------------------|
| Approvals institutes | CSA; CURUS; ROHS |
|----------------------|------------------|

Classifications

| | |
|------------|-------------|
| eClass 6.0 | 27-26-07-08 |
|------------|-------------|

Notes

Notes

Similar products

| Order No. | Part designation | Version |
|------------|---------------------------|--|
| 1000640001 | BLF 5.08/02/90LH SN BK BX | PCB plug-in connector, PUSH IN, Clamping range, max.: 3.31 mm ² , Pitch in mm: 5.08 mm, No. of poles: 2, 90°, Box |

Product catalogue | PCB connection systems | PCB plug-in connectors | Pitch 5.00 / 5.08 mm (0.197 / 0.200 inch) | Female PUSH IN socket block with spring connection in 5.00/5.08 pitch | BLF 5.00-5.08/90/270 | BLF 5.08/90LH SN

| | | |
|------------|---------------------------|---|
| 1000650001 | BLF 5.08/03/90LH SN BK BX | PCB plug-in connector, PUSH IN, Clamping range, max.: 3.31 mm ² , Pitch in mm: 5.08 mm, No. of poles: 3, 90°, Box |
| 1000660001 | BLF 5.08/04/90LH SN BK BX | PCB plug-in connector, PUSH IN, Clamping range, max.: 3.31 mm ² , Pitch in mm: 5.08 mm, No. of poles: 4, 90°, Box |
| 1000670001 | BLF 5.08/05/90LH SN BK BX | PCB plug-in connector, PUSH IN, Clamping range, max.: 3.31 mm ² , Pitch in mm: 5.08 mm, No. of poles: 5, 90°, Box |
| 1000680001 | BLF 5.08/06/90LH SN BK BX | PCB plug-in connector, PUSH IN, Clamping range, max.: 3.31 mm ² , Pitch in mm: 5.08 mm, No. of poles: 6, 90°, Box |
| 1000690001 | BLF 5.08/07/90LH SN BK BX | PCB plug-in connector, PUSH IN, Clamping range, max.: 3.31 mm ² , Pitch in mm: 5.08 mm, No. of poles: 7, 90°, Box |
| 1000700001 | BLF 5.08/08/90LH SN BK BX | PCB plug-in connector, PUSH IN, Clamping range, max.: 3.31 mm ² , Pitch in mm: 5.08 mm, No. of poles: 8, 90°, Box |
| 1000710001 | BLF 5.08/09/90LH SN BK BX | PCB plug-in connector, PUSH IN, Clamping range, max.: 3.31 mm ² , Pitch in mm: 5.08 mm, No. of poles: 9, 90°, Box |
| 1000720001 | BLF 5.08/10/90LH SN BK BX | PCB plug-in connector, PUSH IN, Clamping range, max.: 3.31 mm ² , Pitch in mm: 5.08 mm, No. of poles: 10, 90°, Box |
| 1000730001 | BLF 5.08/11/90LH SN BK BX | PCB plug-in connector, PUSH IN, Clamping range, max.: 3.31 mm ² , Pitch in mm: 5.08 mm, No. of poles: 11, 90°, Box |
| 1000740001 | BLF 5.08/12/90LH SN BK BX | PCB plug-in connector, PUSH IN, Clamping range, max.: 3.31 mm ² , Pitch in mm: 5.08 mm, No. of poles: 12, 90°, Box |
| 1000750001 | BLF 5.08/13/90LH SN BK BX | PCB plug-in connector, PUSH IN, Clamping range, max.: 3.31 mm ² , Pitch in mm: 5.08 mm, No. of poles: 13, 90°, Box |
| 1000760001 | BLF 5.08/14/90LH SN BK BX | PCB plug-in connector, PUSH IN, Clamping range, max.: 3.31 mm ² , Pitch in mm: 5.08 mm, No. of poles: 14, 90°, Box |
| 1000770001 | BLF 5.08/15/90LH SN BK BX | PCB plug-in connector, PUSH IN, Clamping range, max.: 3.31 mm ² , Pitch in mm: 5.08 mm, No. of poles: 15, 90°, Box |
| 1000780001 | BLF 5.08/16/90LH SN BK BX | PCB plug-in connector, PUSH IN, Clamping range, max.: 3.31 mm ² , Pitch in mm: 5.08 mm, No. of poles: 16, 90°, Box |
| 1000790001 | BLF 5.08/17/90LH SN BK BX | PCB plug-in connector, PUSH IN, Clamping range, max.: 3.31 mm ² , Pitch in mm: 5.08 mm, No. of poles: 17, 90°, Box |
| 1000800001 | BLF 5.08/18/90LH SN BK BX | PCB plug-in connector, PUSH IN, Clamping range, max.: 3.31 mm ² , Pitch in mm: 5.08 mm, No. of poles: 18, 90°, Box |
| 1000810001 | BLF 5.08/19/90LH SN BK BX | PCB plug-in connector, PUSH IN, Clamping range, max.: 3.31 mm ² , Pitch in mm: 5.08 mm, No. of poles: 19, 90°, Box |
| 1000820001 | BLF 5.08/20/90LH SN BK BX | PCB plug-in connector, PUSH IN, Clamping range, max.: 3.31 mm ² , Pitch in mm: 5.08 mm, No. of poles: 20, 90°, Box |