

Excellent Integrated System Limited

Stocking Distributor

Click to view price, real time Inventory, Delivery & Lifecycle Information:

[Rose Bopla](#)
[293001000](#)

For any questions, you can email us directly:

sales@integrated-circuit.com



- Hand held enclosure for MCR and automation engineering
- Robust design (Polyamide or Polyester)
- Version with handle and integrated cable entry (Pilot 10, 20 standard)

Included in delivery

Pilot 10/20: enclosure with handle, including cable gland M 20 x 1,5, front panel with fastening screw and wall holder

Pilot 30: two-part Polyester enclosure with self-adhesive aluminium front panel, enclosure screws and wall holder

Technical data

Material:

Pilot 10 and Pilot 20: polyamide

Pilot 30: polyester

Ingress protection:

Pilot 10 and Pilot 20: IP 65 to EN 60529

Pilot 30: IP 66 to EN 60529

Impact resistance:

7 Joule to EN 60079-0

Flammability:

Pilot 10 and 20: HB / UL 94

Pilot 30: V0 / UL 94

Colour:

RAL 1021, rape yellow

Temperature range:

Pilot 10 and Pilot 20: -40°C to +60°C

Pilot 30: -25°C to +90°C

Pilot 10/20/30

Programme range

Enclosure type	Order No.	Encl. dimensions incl. handle W x L x H (mm)	Front panel dimensions W x H (mm)	Mounting depth (mm)
Pilot 10	29.40 02 00	70 x 93 x 190	61 x 59	67
Pilot 20	29.30 01 00	115 x 93 x 200	106 x 69	67
Pilot 30	29.50 01 00	164 x 116 x 295	70 x 280	71

Accessories

Mounting plate Pilot 20	29.31 00 00
Wall holder (2 pcs with screws)	29.60 01 00
Cable gland M 20 x 1,5	08.10 01 20
Push button and switches see page 53 - 58	on request



Electromechanical components

On request, we can supply equipment fitted with electro-mechanical components such as emergency stop button, acknowledge keys, hand wheel, switches, display

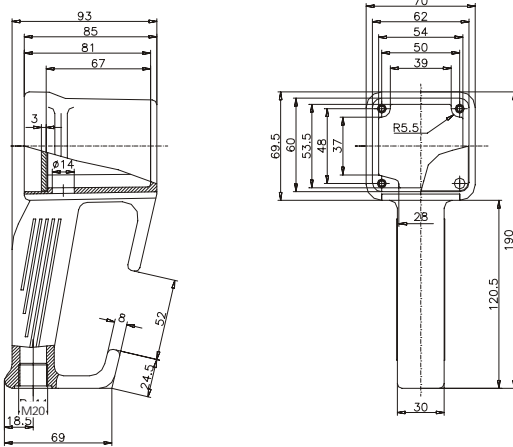
Pilot 10/20/30

Dimensions

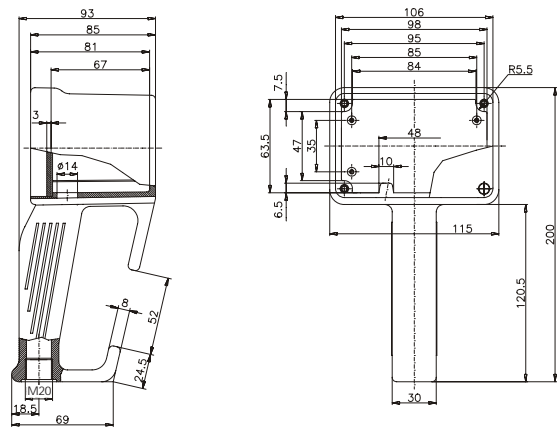


Type	Order No.	Weight (kg)
Pilot 10	29.40 02 00	0.380
Pilot 20	29.30 01 00	0.500

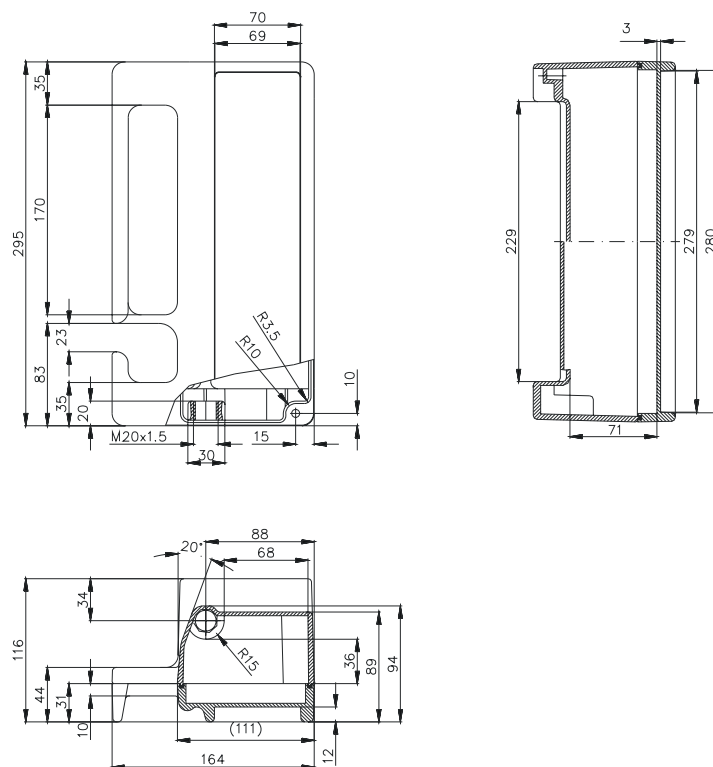
Pilot 10



Pilot 20



Type	Order No.	Weight (kg)
Pilot 30	29.50 01 00	2.200



Pilot 10/20/30

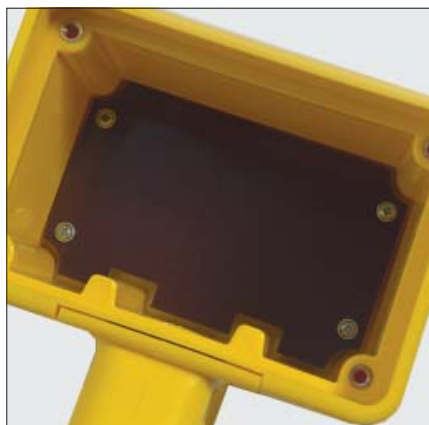
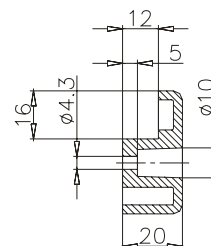
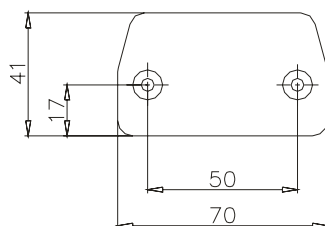
Accessories



Wall holder

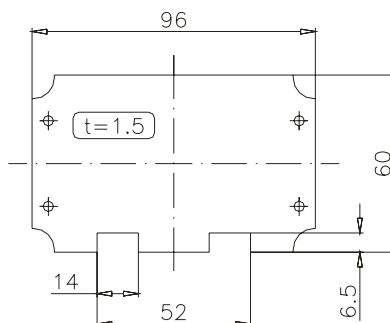
Set complete with 2 fittings and screws

Order No. **29.60 01 00**



Mounting plate Pilot 20

Order No. **29.31 00 00**



One and two button enclosures Pilot 10 / Pilot 20



Integrated handles on Pilot 10 and Pilot 20



Multi button enclosure Pilot 30