

## **Excellent Integrated System Limited**

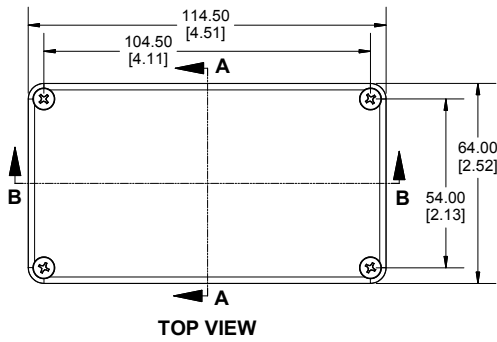
Stocking Distributor

Click to view price, real time Inventory, Delivery & Lifecycle Information:

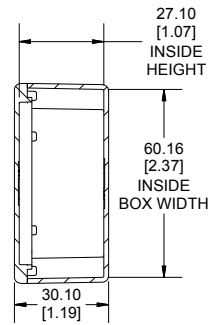
[Hammond Manufacturing  
1550B](#)

For any questions, you can email us directly:

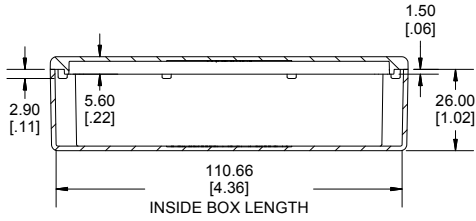
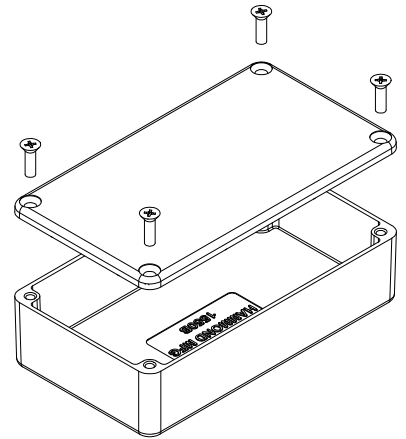
[sales@integrated-circuit.com](mailto:sales@integrated-circuit.com)



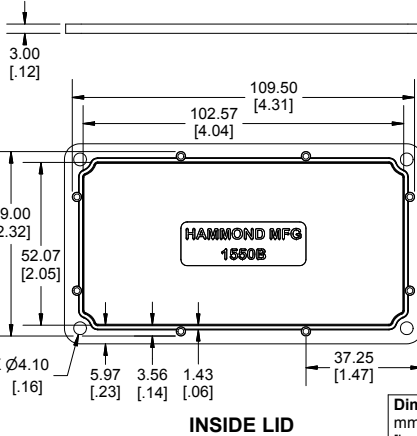
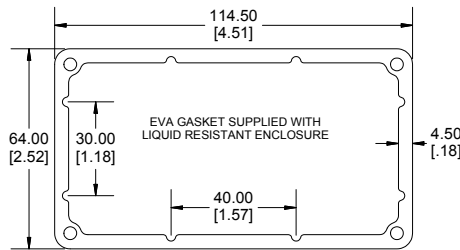
TOP VIEW



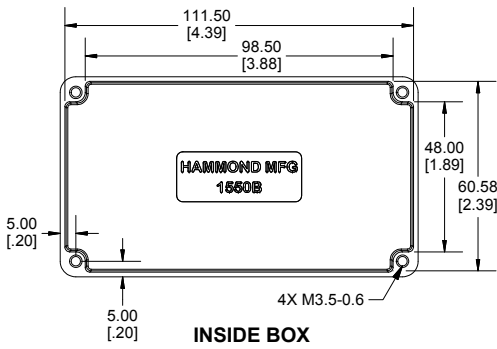
SECTION A-A  
END VIEW



SECTION B-B  
SIDE VIEW



INSIDE LID



INSIDE BOX

Enclosures can be Factory Modified ( Milling, Drilling, Printing etc.)  
Contact Factory [mjm@hammondmfg.com](mailto:mjm@hammondmfg.com) for quotes  
Solid models of this enclosure available in STEP or IGES.

**NOTE**

Purchased assembly includes box, lid and 4 cover screws.  
Box and lid are made from Diecast Aluminum Alloy.  
EVA Gasket supplied with liquid resistant enclosure.

**PART NUMBERS**

1550B Enclosure	
Natural Finish Enclosure	1550B
Black Textured Enclosure	1550BBK
1550B Liquid Resistant Enclosure (EVA Gasket)	
Natural Finish Enclosure	1550WB
Black Textured Enclosure	1550WBBK

**ACCESSORIES**

**Recommended Torque: 75 ozf.in / 55 cN.m**

**Standard Cover Screws**

Plated Cover Screws (Pkg 100) [M3.5-0.6 x 12mm]	1550MS100
Black Cover Screws (Pkg 100) [M3.5-0.6 x 12mm]	1550MS100BK

**Liquid Resistant Cover Screws and Gaskets**

Stainless Steel Cover Screws (Pkg 100) [M3.5 x 12mm, With O-Ring]	1550WMS100
Black Stainless Steel Cover Screws (Pkg 100) [M3.5 x 12mm, With O-Ring]	1550WMS100BK
EVA Pre-formed Gasket Black	1550BEGASKET
Silicone Pre-formed Gasket Black	1550BSGASKET

**HAMMOND  
MANUFACTURING.**  
**1550B**  
www.hammondmfg.com

Dimensions:  
mm  
[inches]