

Excellent Integrated System Limited

Stocking Distributor

Click to view price, real time Inventory, Delivery & Lifecycle Information:

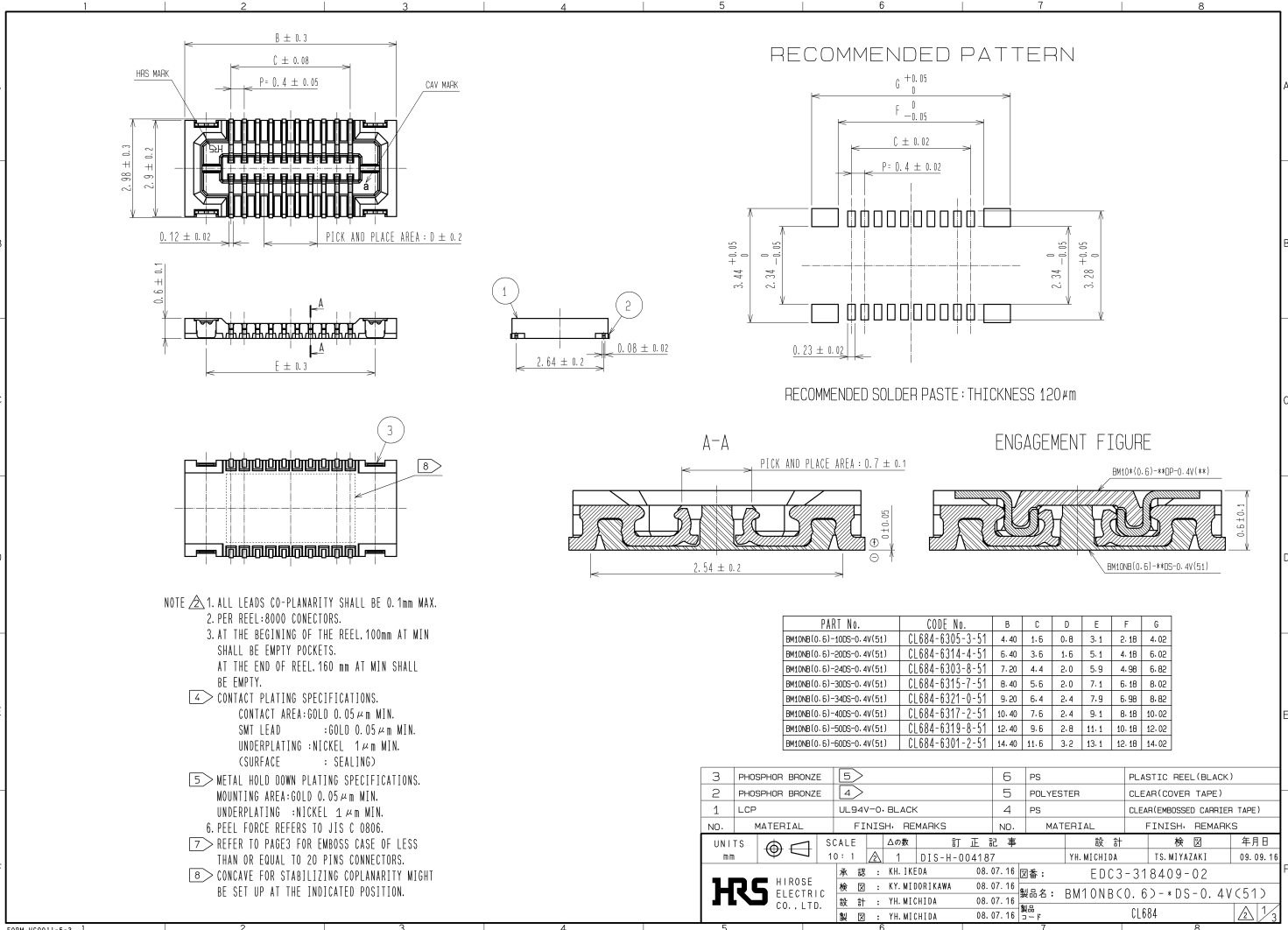
[Hirose Electric Co Ltd](#)
[BM10NB\(0.6\)-10DS-0.4V\(51\)](#)

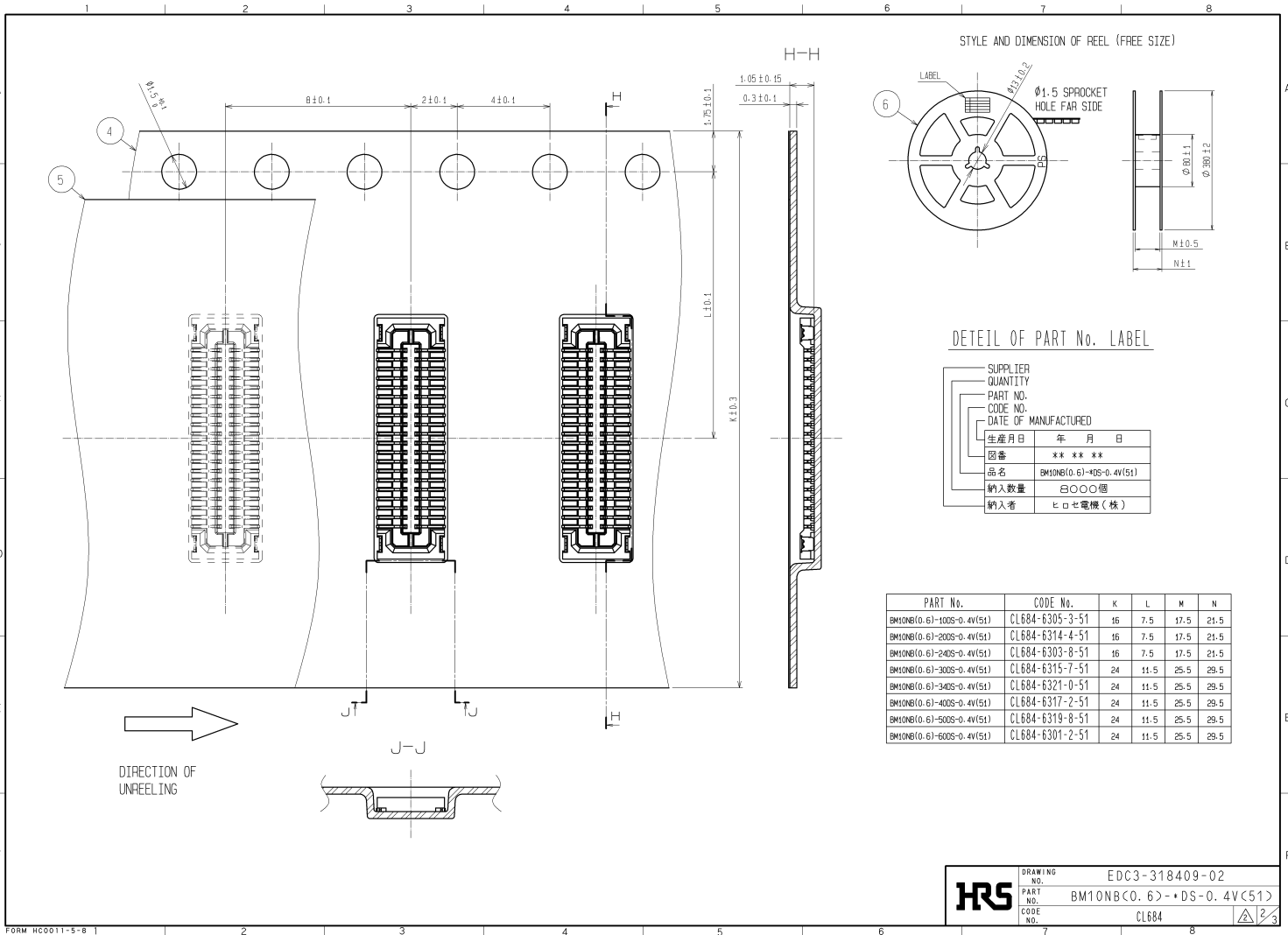
For any questions, you can email us directly:
sales@integrated-circuit.com

2010/04/22 07:36:15 CAROL, TRIBBLE

DRAWING FOR REFERENCE: This is subject to change without notice

| APPLICABLE STANDARD | | | | | |
|--|--|---|---------------------------|--------------------------|----------------|
| RATING | OPERATING TEMPERATURE RANGE | -35°C TO +85°C (NOTES 1) | STORAGE TEMPERATURE RANGE | -10°C TO +60°C | |
| | VOLTAGE | 30V AC | APPLICABLE CONNECTOR | BM10*(0.6)-*DP-0.4V(**) | |
| | CURRENT | 0.3A | | | |
| SPECIFICATIONS | | | | | |
| ITEM | TEST METHOD | REQUIREMENTS | QT | AT | |
| CONSTRUCTION | | | | | |
| GENERAL EXAMINATION | CONFIRMED VISUALLY AND BY MEASURING INSTRUMENT. | ACCORDING TO DRAWING. | X | X | |
| MARKING | CONFIRMED VISUALLY. | | X | X | |
| ELECTRIC CHARACTERISTICS | | | | | |
| CONTACT RESISTANCE | 20mV AC OR LESS 1kHz, 1mA. | 100mΩ MAX. | X | - | |
| INSULATION RESISTANCE | 100V DC. | 50MΩ MIN. | X | - | |
| VOLTAGE PROOF | 100V AC FOR 1 min. | NO FLASHOVER OR BREAKDOWN. | X | - | |
| MECHANICAL CHARACTERISTICS | | | | | |
| MECHANICAL OPERATION | 10TIMES INSERTIONS AND EXTRACTIONS. | ① CONTACT RESISTANCE: 100mΩ MAX. ② NO DAMAGE, CRACK OR LOOSENESS OF PARTS. | X | - | |
| VIBRATION | FREQUENCY 10 TO 55 TO 10 Hz, APPROX 5min, SINGLE AMPLITUDE 0.75 mm, 10CYCLES, FOR 3 DIRECTIONS. | ① NO ELECTRICAL DISCONTINUITY OF 1 μs. ② NO DAMAGE, CRACK OR LOOSENESS OF PARTS. | X | - | |
| SHOCK | 490 m/s ² DURATION OF PULSE 11 ms AT 3 TIMES FOR 3 DIRECTIONS. | ① NO ELECTRICAL DISCONTINUITY OF 1 μs. ② NO DAMAGE, CRACK OR LOOSENESS OF PARTS. | X | - | |
| ENVIRONMENTAL CHARACTERISTICS | | | | | |
| RAPID CHANGE OF TEMPERATURE | TEMPERATURE -55 → +85 °C TIME 30 → 30 min UNDER 5 CYCLES. (RELOCATION TIME TO CHAMBER: WITHIN 2 ~3 MIN) | ① CONTACT RESISTANCE: 100mΩ MAX. ② INSULATION RESISTANCE: 50MΩ MIN. ③ NO DAMAGE, CRACK OR LOOSENESS OF PARTS. | X | - | |
| DAMP HEAT (STEADY STATE) | EXPOSED AT 40 ± 2 °C, 90 TO 95 %, 96 h. | ① CONTACT RESISTANCE: 100mΩ MAX. ② INSULATION RESISTANCE: 25MΩ MIN. ③ NO DAMAGE, CRACK OR LOOSENESS OF PARTS. | X | - | |
| SULPHUR DIOXIDE | EXPOSED IN 25 PPM FOR 96h, 25°C, 75%. (REFER TO JIS C 60068) | ① CONTACT RESISTANCE: 100mΩ MAX. ② NO DAMAGE, CRACK OR LOOSENESS OF PARTS. | X | - | |
| | | | | | |
| | COUNT | DESCRIPTION OF REVISIONS | DESIGNED | CHECKED | DATE |
| | 1 | DIS-H-004093 | YH. MICHIDA | KY. MIDORIKAWA | 09.08.07 |
| REMARKS | | | APPROVED | KH. IKEDA | 08.07.16 |
| NOTE1: INCLUDE THE TEMPERATURE RISING BY CURRENT | | | CHECKED | KY. MIDORIKAWA | 08.07.16 |
| Unless otherwise specified, refer to JIS C 5402 and IEC 60512 | | | DESIGNED | YH. MICHIDA | 08.07.16 |
| | | | DRAWN | YH. MICHIDA | 08.07.16 |
| Note QT:Qualification Test AT:Assurance Test X:Applicable Test | | | DRAWING NO. | | ELC4-318409-02 |
| | SPECIFICATION SHEET | | PART NO. | BM10NB(0.6)-*DS-0.4V(51) | |
| | HIROSE ELECTRIC CO., LTD. | | CODE NO. | CL684 | 1/1 |



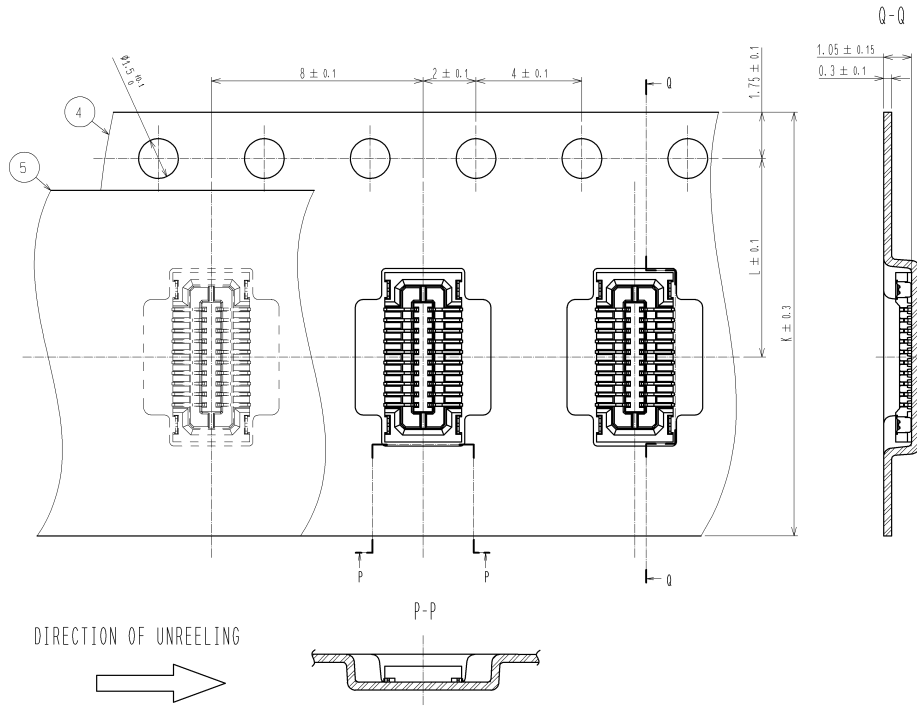


| | | | |
|------------|-------------|---------------------------|--|
| HRS | DRAWING NO. | EDC3-318409-02 | |
| | PART NO. | BM10NB(0.6)-10DS-0.4V(51) | |
| | CODE NO. | CL684 | |
| | | | |

2010/04/22 07:36:17 CAROL.TRI@BELL

DRAWING FOR REFERENCE: This is subject to change without notice

EMBOSS CASE OF LESS THAN OR EQUAL TO 20 PINS CONNECTORS.



| | | |
|------------|------|-------------------------|
| HRS | 図番: | EDC3-318409-02 |
| | 製品名: | BM10NB(0.6)-DS-0.4V(51) |
| | 製法: | CL684 |
| | 3-8 | |