



Distributor of C&K Components: Excellent Integrated System Limited

Datasheet of 937C00000 - NUT 3/4-24UNS .125" THICK

Contact us: sales@integrated-circuit.com Website: www.integrated-circuit.com

Excellent Integrated System Limited

Stocking Distributor

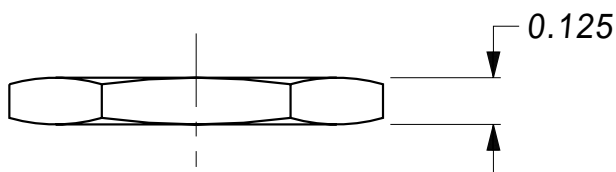
Click to view price, real time Inventory, Delivery & Lifecycle Information:

[C&K Components](#)
[937C00000](#)

For any questions, you can email us directly:

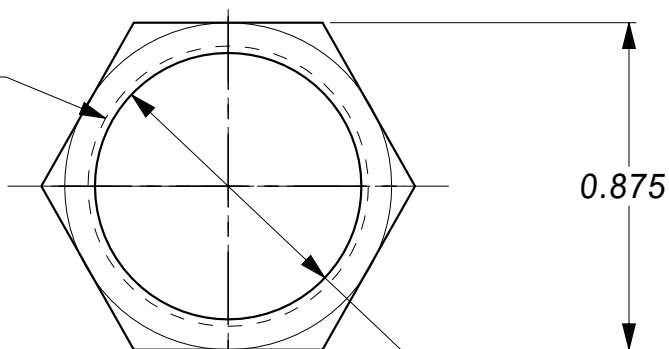
sales@integrated-circuit.com

ALL DIMS. AND TOLS. PER ANSI Y14.5	NAME	G. BOGUE	DATE	1/13/06	937C	REV	B
	SCALE	2:1	APPR.			SHEET 1 OF 1	
TOLERANCES		UNLESS OTHERWISE SPECIFIED DIMENSIONS ARE IN INCHES		<h2>MOUNTING NUT</h2> <p>CAST ZINC / OVERSIZED</p> <p>Y SERIES</p>			
DECIMAL	ANGLE	THIS DOCUMENT AND THE INFORMATION IN IT IS THE EXCLUSIVE PROPERTY OF C&K COMPONENTS, INC., AND IS NOT TO BE USED OR DISCLOSED WITHOUT THE EXPRESS WRITTEN PERMISSION OF C&K COMPONENTS, INC.					
.XX±	.XXX±						
<input checked="" type="checkbox"/>	CRITICAL - MUST COMPLY WITH C&K QUALIFICATION STD. CKQI0019						
<input type="checkbox"/>	MAJOR DIMENSION						



CAD FILE NO.: 937C

(B)
△ 3/4-24 UNS
2B THREAD



PITCH DIAMETER
0.7299 MIN
0.7349 MAX

NOTES:

1. MATERIAL: ZINC, ZAMAC 3
2. SUPPLIER PART NUMBER: 300678-3000-00
3. THIS PART IS RoHS COMPLIANT AND MEETS ALL REQUIREMENTS OF RoHS DIRECTIVE 2002/95/EC.

ECN	SYM	DESCRIPTION	DATE	ECN	SYM	DESCRIPTION	DATE
16500	A	RELEASED TO PRODUCTION.	1/13/06				
18026	B	ADDED MAJOR SYMBOL.	GTB 10/29/07 (GTB)				

937C

SHEET 1 OF 1

REV
B