

Excellent Integrated System Limited

Stocking Distributor

Click to view price, real time Inventory, Delivery & Lifecycle Information:

[CW Industries](#)
[GPB502MA05BR](#)

For any questions, you can email us directly:
sales@integrated-circuit.com

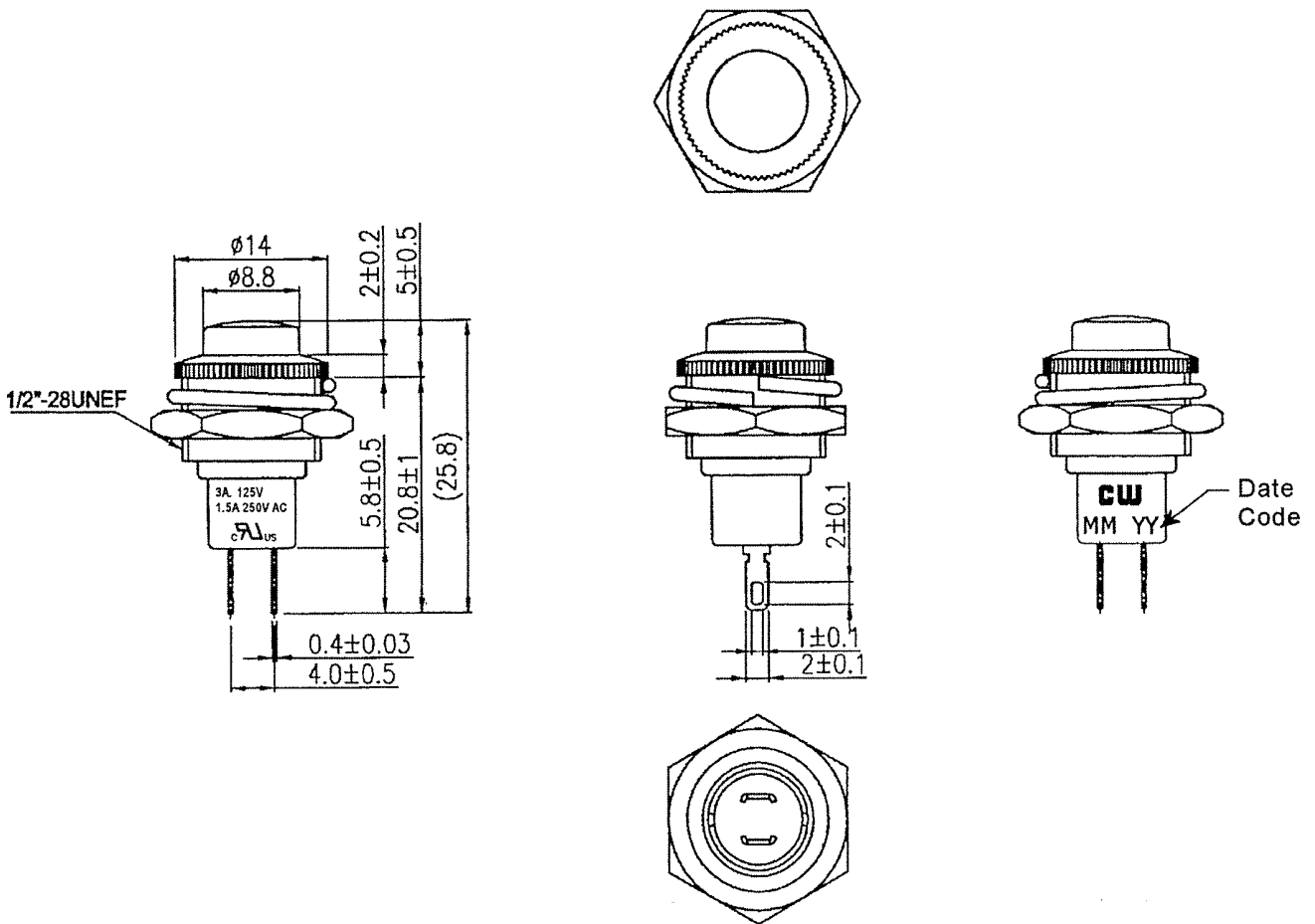
THIS INFORMATION IS CONFIDENTIAL AND PROPRIETARY TO CW INDUSTRIES INCORPORATED AND ITS AFFILIATES. IT MAY NOT BE DISCLOSED TO ANYONE, OTHER THAN CW INDUSTRIES PERSONNEL, WITHOUT WRITTEN AUTHORIZATION FROM CW INDUSTRIES INCORPORATED, SOUTHAMPTON, PENNSYLVANIA USA.

| | | | | |
|-----------------------|--------------------------|--|---------------|--|
| Rating | 3A. 125V , 1. 5A 250V AC | | Mounting Hole | |
| Contact Resistance | 50m ohm max. | | | |
| Insulation Resistance | DC 500V 100M ohm min. | | | |
| Dielectric Strength | AC 1000V 1 minute | | | |
| Operating Temperature | 0° C ~ 85° C | | | |
| Switch Function | 2P SPST OFF - (ON) | | | |

Cut-Out 3mm thk. max.

() = Momentary

Material:
 Housing: Brass Alloy, Cr-Plating
 Button: Nylon #66, Red
 Bottom Cover: PBT+30%GF, Black
 Terminals: Copper Alloy



Tolerances Unless Otherwise Specified +/-0.3.

RoHS Compliant

1 Redrawn. Updated views, Materials & Tolerances. 4-03-13.

CW INDUSTRIES
 Southampton, Pa. 18966
 Tel 215.355.7080/www.cwind.com

Date Drawn: 12/25/09

Rev. 1

Unit: mm

Checked By: *G. Gold*

Title: **PUSH BUTTON SWITCH**

CW P/N: **GPB502MA05BR**