

Excellent Integrated System Limited

Stocking Distributor

Click to view price, real time Inventory, Delivery & Lifecycle Information:

[CW Industries](#)
[GRB066A02BB2](#)

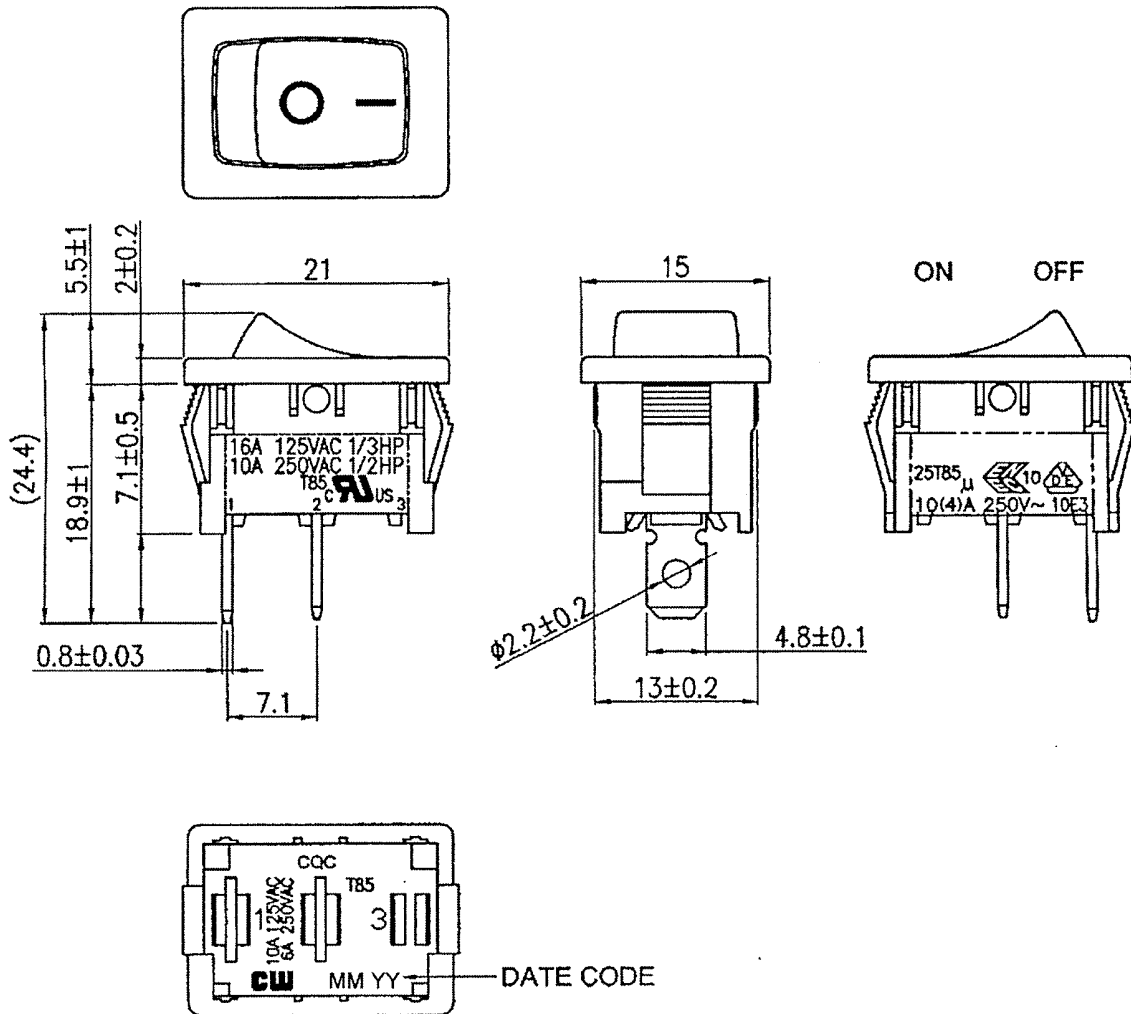
For any questions, you can email us directly:
sales@integrated-circuit.com



THIS INFORMATION IS CONFIDENTIAL AND PROPRIETARY TO CW INDUSTRIES INCORPORATED AND ITS AFFILIATES. IT MAY NOT BE DISCLOSED TO ANYONE, OTHER THAN CW INDUSTRIES PERSONNEL, WITHOUT WRITTEN AUTHORIZATION FROM CW INDUSTRIES INCORPORATED, SOUTHAMPTON, PENNSYLVANIA USA.

Rating	16A 125VAC 1/3HP		Mounting Hole		Circuit Diagram											
	10A 250VAC 1/2HP															
	10(4)A 250V ~															
	10A 125VAC 6A250VAC	CQC	<table border="1"> <thead> <tr> <th>Thickness</th> <th>X</th> <th>Y</th> </tr> </thead> <tbody> <tr> <td>0.75 - 1.25</td> <td>19.2 - 0.1</td> <td>13.0 + 0.1</td> </tr> <tr> <td>1.25 - 2.00</td> <td>19.4 - 0.1</td> <td>13.0 + 0.1</td> </tr> <tr> <td>2.00 - 3.00</td> <td>19.8 - 0.1</td> <td>13.0 + 0.1</td> </tr> </tbody> </table>		Thickness	X	Y	0.75 - 1.25	19.2 - 0.1	13.0 + 0.1	1.25 - 2.00	19.4 - 0.1	13.0 + 0.1	2.00 - 3.00	19.8 - 0.1	13.0 + 0.1
Thickness	X	Y														
0.75 - 1.25	19.2 - 0.1	13.0 + 0.1														
1.25 - 2.00	19.4 - 0.1	13.0 + 0.1														
2.00 - 3.00	19.8 - 0.1	13.0 + 0.1														
Contact Resistance	50m ohm max.															
Insulation Resistance	DC 500V 100M ohm min.															
Dielectric Strength	AC 1500V 1 minute															
Operating Temperature	-25°C ~ 85°C															
Switch Function	2P SPST ON - OFF															

BASE COLOR: Black
 BUTTON COLOR: Black
 PRINTED: White, hot stamping



Tolerances ±0.3 Unless Otherwise Specified

RoHS Compliant

1 Updated ratings & views. 3-01-2013.

CW INDUSTRIES
 Southampton, Pa. 18966
 Tel 215.355.7080/www.cwind.com

Date Drawn: 12/22/09

Rev. 1

Unit: mm

Checked By: *G. Gold*

Title: **ROCKER SWITCH**

CW P/N: **GRB066A02BB2**