

Excellent Integrated System Limited

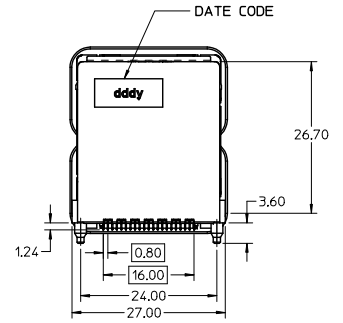
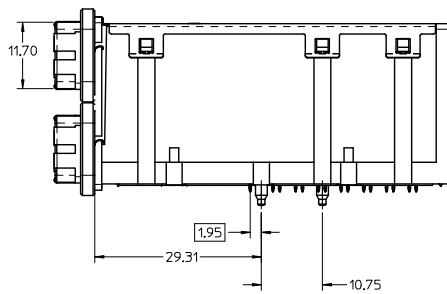
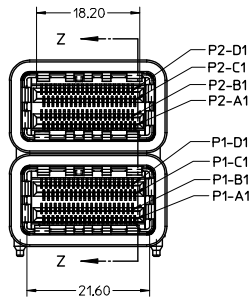
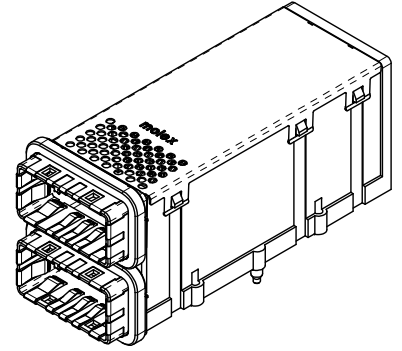
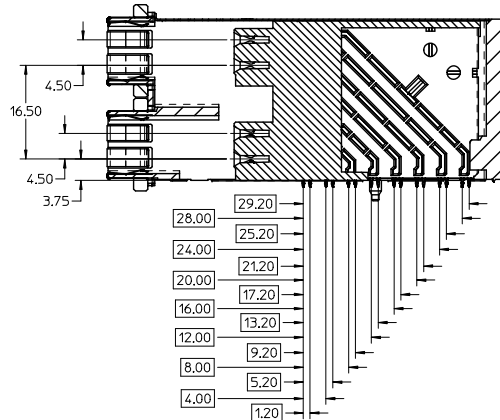
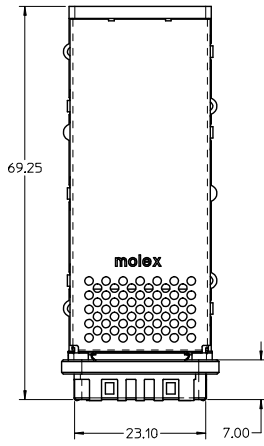
Stocking Distributor

Click to view price, real time Inventory, Delivery & Lifecycle Information:

[Molex Connector Corporation](#)
[0760240568](#)

For any questions, you can email us directly:

sales@integrated-circuit.com



NOTES:

1. MATERIALS:

CONNECTOR HOUSING: HIGH TEMPERATURE THERMOPLASTIC
GLASS FILLED, UL94V-0
COLOR: BLACK

EMI HOUSING: DIE CAST ALLOY, NICKEL PLATED FINISH

TERMINALS: COPPER ALLOY

COVER: STAINLESS STEEL ALLOY

EMI GASKET: CONDUCTIVE POLYMER

2. PLATING:

CONTACT AREA: 0.764mm MIN. GOLD OVER 2.544mm MIN. NICKEL

COMPLIANT AREA: 0.76-1.524mm TIN OVER 1.274mm MIN. NICKEL

3. PACKAGING SPECIFICATION: TRAY PACK PER PK-76024-001

4. MOUNTING HARDWARE: M2x8mm CAP SCREWS (NOT SUPPLIED)

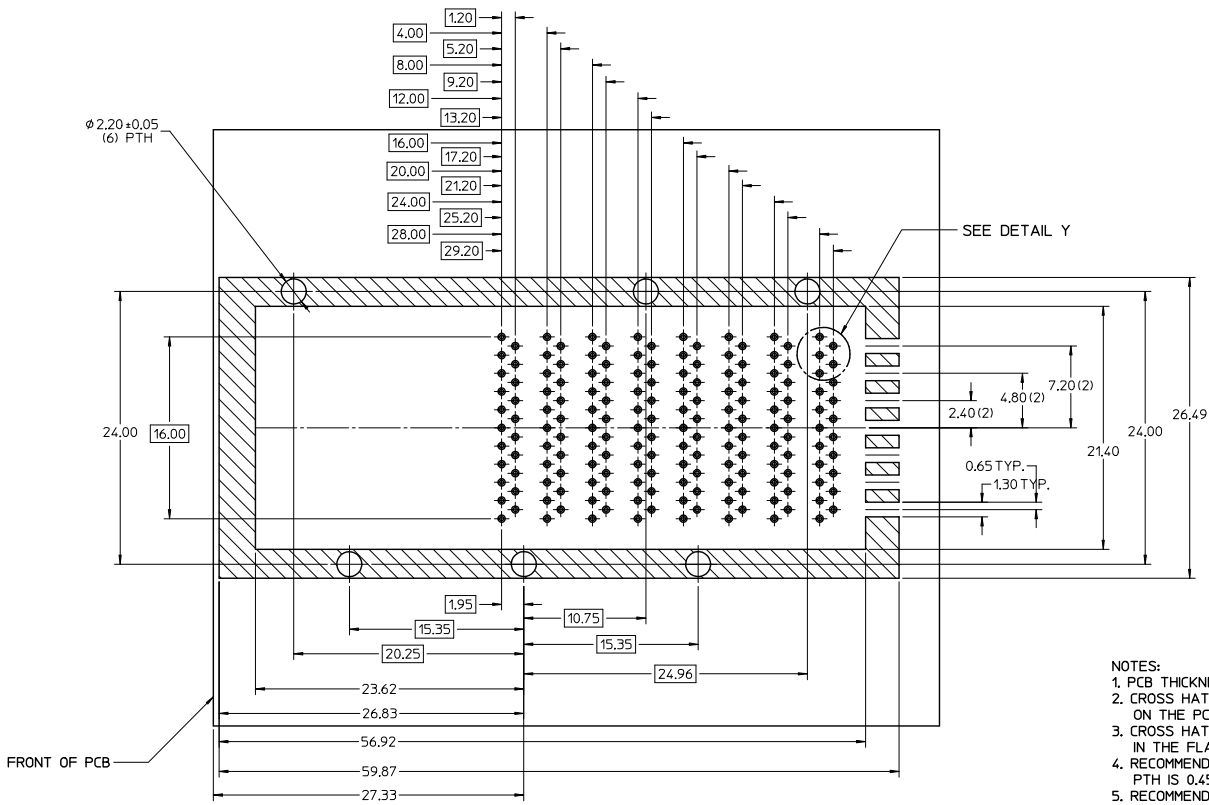
5. THIS CONNECTOR IS DESIGNED TO MATE WITH MOLEX CABLE SERIES 111025

6. THIS CONNECTOR IS FOR PASSIVE COPPER CABLES ONLY

NO OPTICAL MODULES OR ACTIVE COPPER CABLES

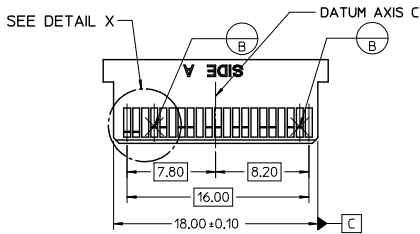
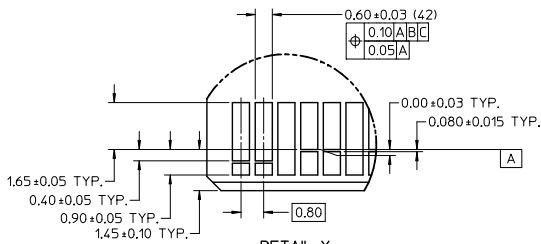
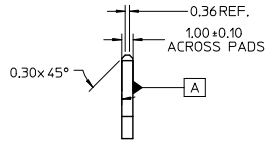
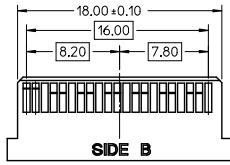
ADD LOCKING EMIL EC NO: UCP2014-4635 DRAWING PRATT CHK DR BANAKIS APPR DR BANAKIS 2014/05/09 2014/05/09 2014/06/05	QUALITY SYMBOLS ∇=0 ∇=0 ∇=0	GENERAL TOLERANCES (UNLESS SPECIFIED)		DIMENSION STYLE MM ONLY		SCALE 2:1	DESIGN UNITS METRIC	THIRD ANGLE PROJECTION			
		4 PLACES ± --- ± ---	3 PLACES ± --- ± ---	2 PLACES ± 0.25 ± ---	1 PLACE ± --- ± ---	0 PLACE ± --- ± ---	DRAWN BY K. LANG	DATE 2008/06/12	TITLE IPASS PLUS HSC 84/84 HIGH SPEED CHANNEL 0.8MM I/O		
		ANGULAR ±1/2°					CHECKED BY GPRATT	DATE 2014/05/12	molex		
		DRAFT WHERE APPLICABLE MUST REMAIN WITHIN DIMENSIONS					APPROVED BY M. BANAKIS	DATE 2008/07/21			

RECOMMENDED PCB LAYOUT
COMPONENT SIDE SHOWN



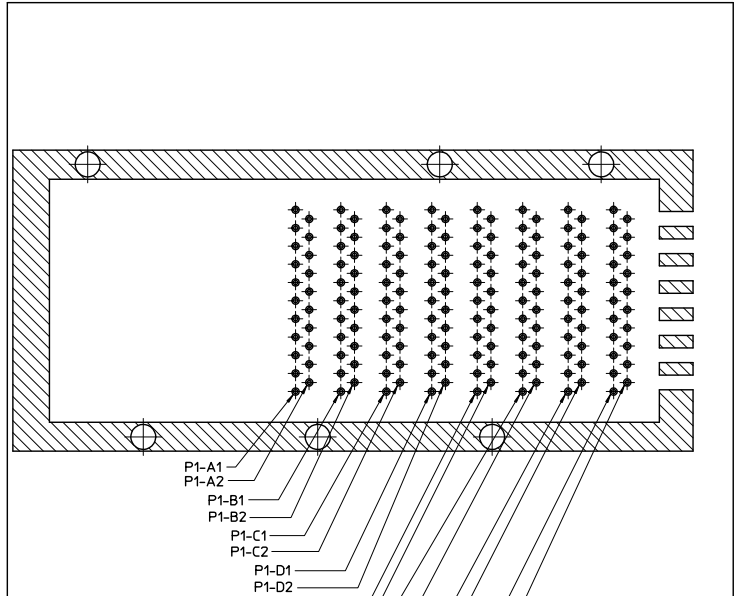
- NOTES:
1. PCB THICKNESS: 157 MINIMUM
 2. CROSS HATCHED AREA TO BE CONDUCTIVE ON THE PCB
 3. CROSS HATCHED AREA TO BE INCORPORATED IN THE FLAT ROCK PRESS-FIT TOOLING
 4. RECOMMENDED DRILL SIZE FOR 0.37 ϕ FINISHED PTH IS 0.457 mm (.018"±.007) DRILL.
 5. RECOMMENDED ANNULAR RING AROUND 0.37 ϕ FINISHED PTH IS 0.73 ϕ
 6. MINIMUM RECOMMENDED SPACING: 26.50mm

SEE SHEET 1 EC NO: UCP2014-4635 DRAWN BY: GPRATT 2014/05/09 CHECKED BY: CHIKO BANAKIS 2014/05/09 APPROVED BY: M. BANAKIS 2014/08/05 DESCRIPTION: IPASS PLUS HSC 84/84 HIGH SPEED CHANNEL 0.8MM I/O REV:	QUALITY SYMBOLS	GENERAL TOLERANCES (UNLESS SPECIFIED)	DIMENSION STYLE	SCALE	DESIGN UNITS	THIRD ANGLE PROJECTION	
		mm INCH	MM ONLY	4:1	METRIC		
	4 PLACES ± --- ± --- 3 PLACES ± --- ± --- 2 PLACES ± 0.25 ± --- 1 PLACE ± --- ± --- 0 PLACE ± --- ± ---	DRAWN BY: K. LANG 2008/06/12 CHECKED BY: GPRATT 2014/05/09 APPROVED BY: M. BANAKIS 2008/07/21	TITLE	IPASS PLUS HSC 84/84 HIGH SPEED CHANNEL 0.8MM I/O			
	ANGULAR ± 1/2° DRAFT WHERE APPLICABLE MUST REMAIN WITHIN DIMENSIONS	MATERIAL NO.	DOCUMENT NO.	molex SD-76024-568 SHEET NO. 2 OF 4			

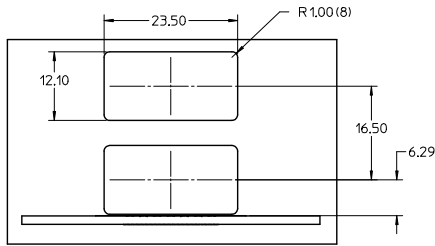
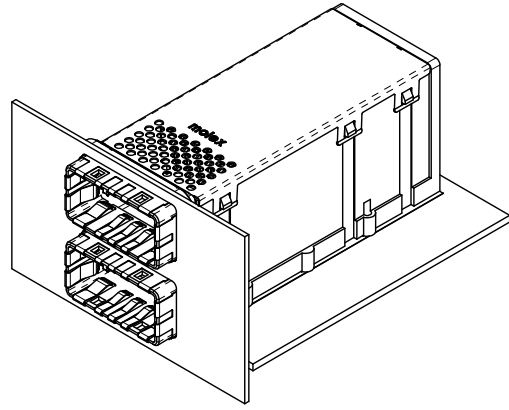


NOTES:

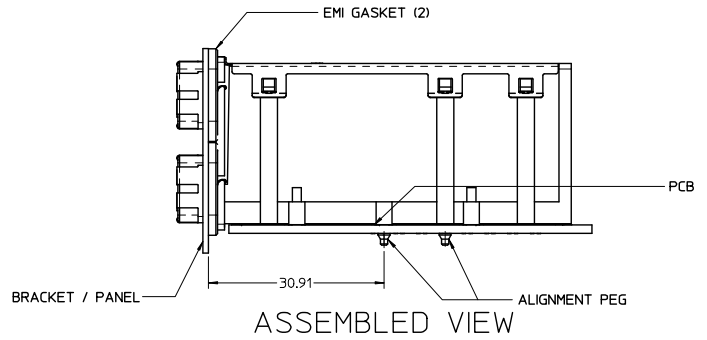
- 0.03 MINIMUM KEEPOUT FOR SOLDER MASK AROUND ALL PADS
- DATUM B TARGETS ARE DEFINED BY THE RESPECTIVE PAD CENTER LINES AND THE LEADING EDGE OF THE TARGET PADS



SEE SHEET 1 DEC NO: UCPC2014-4635 DRAWING PRATT 2014/05/09 CHKOR BANAKIS 2014/05/09 APPROVED BANAKIS 2014/06/05	QUALITY SYMBOLS ∇=0 ∇=0.25 ∇=0.50	GENERAL TOLERANCES (UNLESS SPECIFIED)		DIMENSION STYLE MM ONLY		SCALE 4:1	DESIGN UNITS METRIC	THIRD ANGLE PROJECTION
		4 PLACES ± --- 3 PLACES ± --- 2 PLACES ± 0.25 1 PLACE ± --- 0 PLACE ± ---	mm INCH ± --- ± --- ± --- ± --- ± --- ± --- ± --- ± ---	DRAWN BY K. LANG DATE 2008/06/12	CHECKED BY GPRATT DATE 2014/05/09	APPROVED BY M. BANAKIS DATE 2008/07/21	MATERIAL NO. SEE SHEET 1	TITLE IPASS PLUS HSC 84/84 HIGH SPEED CHANNEL 0.8MM I/O
DRAFT WHERE APPLICABLE MUST REMAIN WITHIN DIMENSIONS		THIS DRAWING CONTAINS INFORMATION THAT IS PROPRIETARY TO MOLEX INCORPORATED AND SHOULD NOT BE USED WITHOUT WRITTEN PERMISSION						



RECOMMENDED PANEL CUT-OUT



SEE SHEET 1 EC NO: UCP2014-4635 2014/05/09 DRAWING PRATT CHK: MBANKS 2014/05/09 APPR: MBANKS 2014/06/05	QUALITY SYMBOLS □=0 □=0 □=0	GENERAL TOLERANCES (UNLESS SPECIFIED)		DIMENSION STYLE MM ONLY		SCALE 2:1	DESIGN UNITS METRIC	THIRD ANGLE PROJECTION	
		4 PLACES ± --- ± ---	3 PLACES ± --- ± ---	DRAWN BY K. LANG	DATE 2008/06/12	TITLE IPASS PLUS HSC 84/84 HIGH SPEED CHANNEL 0.8MM I/O			
		2 PLACES ± 0.25 ± ---	1 PLACE ± --- ± ---	CHECKED BY GPRATT	DATE 2014/05/1	molex			
		0 PLACE ± --- ± ---	ANGULAR ± 1/2°	APPROVED BY M. BANKS	DATE 2008/07/21				
DRAFT WHERE APPLICABLE MUST REMAIN WITHIN DIMENSIONS		THIS DRAWING CONTAINS INFORMATION THAT IS PROPRIETARY TO MOLEX INCORPORATED AND SHOULD NOT BE USED WITHOUT WRITTEN PERMISSION							