

Excellent Integrated System Limited

Stocking Distributor

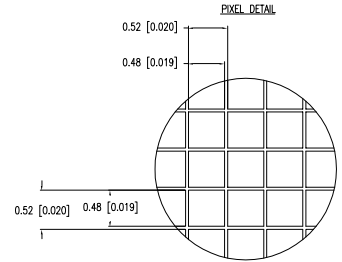
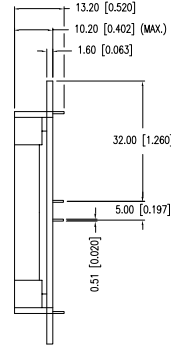
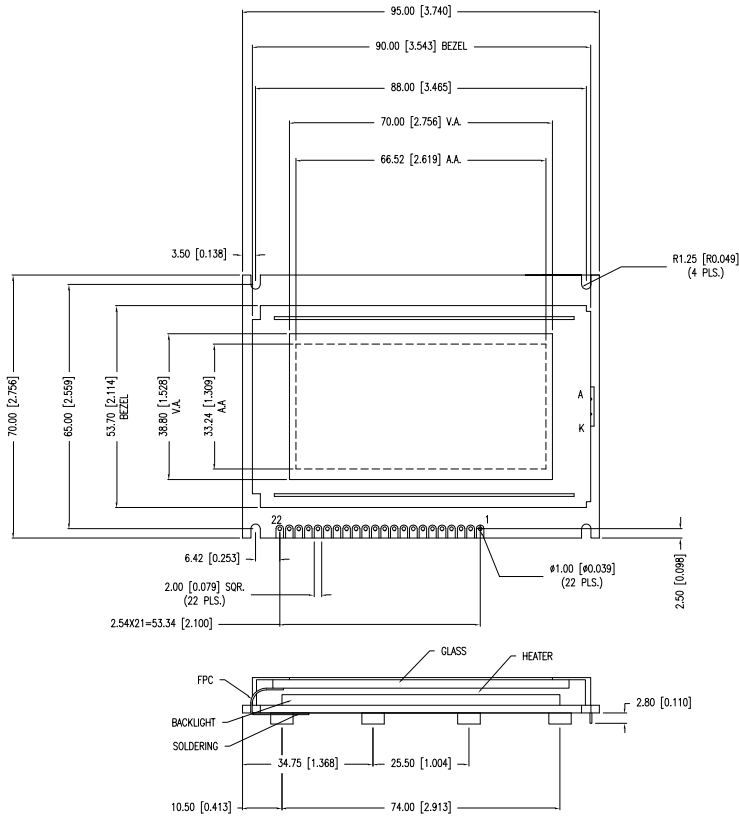
Click to view price, real time Inventory, Delivery & Lifecycle Information:

[Lumex, Inc.](#)
[LCR-U12864GSF-WH](#)

For any questions, you can email us directly:
sales@integrated-circuit.com

UNCONTROLLED DOCUMENT

PART NUMBER	LCR-U12864GSF-WH	REV.	A
DATE	E.C.N. NUMBER AND REVISION COMMENTS		REV.
05.20.10	E.C.N. #11642.		A



*UNLESS OTHERWISE SPECIFIED TOLERANCES PER DECIMAL PRECISION ARE: X=±1 (±0.039), X.X=±0.5 (±0.020), X.XX=±0.25 (±0.010), X.XXX=±0.127 (±0.005). LEAD SIZE=±0.05 (±0.002), LEAD LENGTH=±0.75 (±0.030). MIN.=^{+DECIMAL PRECISION}_{-0.00} MAX.=^{-DECIMAL PRECISION}_{-DECIMAL PRECISION} UNCONTROLLED DOCUMENT



290 E. HELEN ROAD
 PALATINE, IL 60067-6976
 PHONE: +1.847.359.2790
 FAX: +1.847.359.6538
 WEB: WWW.LUMEX.COM

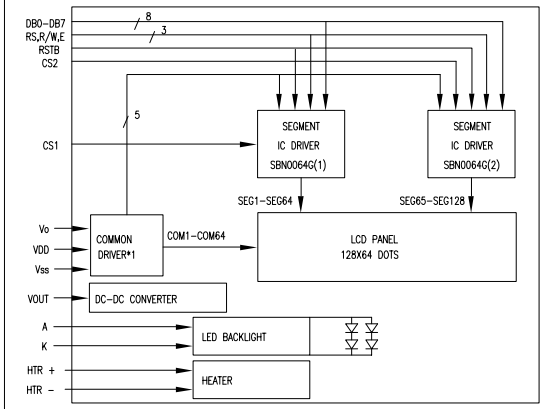
128 x 64 GRAPHIC LCD MODULE, STN GRAY, W/ HEATER, TRANSPARENT, WHITE LED BACKLIGHT, 6:00 VIEW.
 THE SPECIFICATIONS MAY CHANGE AT ANY TIME WITHOUT NOTICE DUE TO NEW MATERIALS OR PRODUCT IMPROVEMENT.
 CONFIDENTIAL INFORMATION
 THE INFORMATION CONTAINED IN THIS DOCUMENT IS THE PROPERTY OF LUMEX INC. EXCEPT AS SPECIFICALLY AUTHORIZED IN WRITING BY LUMEX INC., THE HOLDER OF THIS DOCUMENT SHALL KEEP ALL INFORMATION CONTAINED HEREIN CONFIDENTIAL AND SHALL PROTECT SAME IN WHOLE OR IN PART FROM DISCLOSURE AND DISSEMINATION TO ALL THIRD PARTIES.

DATE:	11.24.09	DRAWN BY:	JN
PAGE:	1 OF 2	CHKD BY:	JD
SCALE:	N/A	APRVD BY:	SA
UNIT:	mm [INCH]		

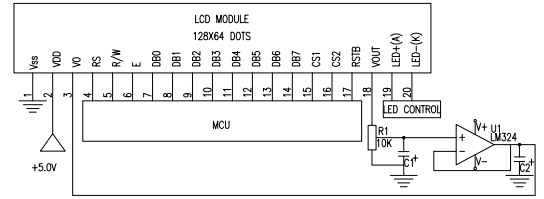
UNCONTROLLED DOCUMENT

PART NUMBER	LCR-U12864GSF-WH	REV.	A
DATE	E.C.N. NUMBER AND REVISION COMMENTS		REV.
	SEE PAGE 1		

BLOCK DIAGRAM 128 x 64, 1/64 DUTY, 1/9 BIAS



NOTES:
 1. R1 IS THE CONTRAST RESISTOR.
 2. VOUT=-10.0V
 3. ADJUST R1 TO GET GOOD CONTRAST. TYP. V0 IS -7.5V.



ABSOLUTE MAXIMUM RATINGS

ITEM	SYMBOL	TEST CONDITION	STANDARD VALUE		UNIT
			MIN	MAX	
SUPPLY VOLTAGE FOR LOGIC	V _{DD} -V _{SS}	T _a =25°C	4.7	5.3	V
SUPPLY VOLTAGE FOR LCD DRIVE	V _{DD} -V ₀	-	0	15	V
INPUT VOLTAGE	V _I	T _a =25°C	V _{SS}	V _{DD}	V
OPERATING TEMPERATURE	T _{opr}	W/ HEATER	-40	+85	°C
STORAGE TEMPERATURE	T _{stg}	W/ HEATER	-40	+85	°C

PIN CONFIGURATION

PIN NO.	SYMBOL	FUNCTION
1	V _{SS}	POWER SUPPLY
2	V _{DD}	
3	V ₀	
4	RS	REGISTER SELECT RS=0...INSTRUCTION REGISTER RS=1...DATA REGISTER
5	R/W	READ/WRITE R/W=0...READ R/W=1...WRITE
6	E	CHIP ENABLE SIGNAL
7-14	DB0-DB7	DISPLAY DATA SIGNAL
15	CS1	CHIP SELECT SIGNAL FOR SBNO064G(1)
16	CS2	CHIP SELECT SIGNAL FOR SBNO064G(2)
17	RSTB	CONTROL RESET (MODULE RESET)
18	VOUT	OUTPUT VOTAGE FOR LCD DRIVING,-10.0V.
19	LED- (A)	ANODE OF LED
20	LED- (K)	CATHODE OF LED
21	HTR +	+12V
22	HTR -	GND (0V)

ELECTRICAL CHARACTERISTICS

V_{DD}=4.7V to 5.3V, T_A=25°C

ITEM	SYMBOL	CONDITION	STANDARD VALUE			UNIT
			MIN.	TYP.	MAX.	
SUPPLY VOLTAGE FOR LOGIC	V _{DD} -V _{SS}	-	4.5	5.0	5.5	V
SUPPLY VOLTAGE FOR LCD DRIVE	V _{DD} -V ₀	V _{DD} =5V	12.6	12.9	13.2	V
SUPPLY CURRENT FOR LOGIC	I _{DD}	V _{DD} =5V	-	8.2	13.0	mA
LED BACKLIGHT	VOLTAGE	V _F	I _F =30mA	6.4	7.2	V
	CURRENT	I _F	-	30	-	mA
	POWER CUNSUMPTION	P _D	-	192	-	mW
	LUMINOUS	L	-	70	-	cd/m ²
	COLOR COORDINATE	X, Y	WHITE	.260	.330	
HEATER	VOLTAGE	V _{FH}	-	12	20	V
	RESISTANCE	-	-	160	210	Ω
	CURRENT	I _H	-	40	60	mA
	POWER	P _H	-	0.5	0.7	W

*UNLESS OTHERWISE SPECIFIED TOLERANCES PER DECIMAL PRECISION ARE: X=±1 (±0.039), XX=±0.5 (±0.020), XXX=±0.25 (±0.010), XXXX=±0.127 (±0.005). LEAD SIZE=±0.05 (±0.002), LEAD LENGTH=±0.75 (±0.030). MIN=+DECIMAL PRECISION -0.00, MAX=+0.00 -DECIMAL PRECISION. UNCONTROLLED DOCUMENT



290 E. HELEN ROAD
 PALATINE, IL 60067-6976
 PHONE: +1.847.359.2790
 FAX: +1.847.359.6538
 WEB: WWW.LUMEX.COM

128 x 64 GRAPHIC LCD MODULE, STN GRAY, W/ HEATER, TRANSPARENT, WHITE LED BACKLIGHT, 6:00 VIEW.

THE SPECIFICATIONS MAY CHANGE AT ANY TIME WITHOUT NOTICE DUE TO NEW MATERIALS OR PRODUCT IMPROVEMENT

CONFIDENTIAL INFORMATION
 THE INFORMATION CONTAINED IN THIS DOCUMENT IS THE PROPERTY OF LUMEX INC. EXCEPT AS SPECIFICALLY AUTHORIZED IN WRITING BY LUMEX INC., THE HOLDER OF THIS DOCUMENT SHALL KEEP ALL INFORMATION CONTAINED HEREIN CONFIDENTIAL AND SHALL PROTECT SAME IN WHOLE OR IN PART FROM DISCLOSURE AND DISSEMINATION TO ALL THIRD PARTIES.

DATE:	11.24.09	DRAWN BY:	JN
PAGE:	2 OF 2	CHKD BY:	JD
SCALE:	N/A	APRVD BY:	SA
UNIT:	mm [INCH]		