

## Excellent Integrated System Limited

Stocking Distributor

Click to view price, real time Inventory, Delivery & Lifecycle Information:

[Crouzet USA](#)  
[88857707](#)

For any questions, you can email us directly:  
[sales@integrated-circuit.com](mailto:sales@integrated-circuit.com)



### 48 x 48 Digital LED Timer 816 Part number 88857707



- Relay output*
- Multi-range
  - Multi-voltage
  - 1 relay output
  - Access to programming locked
  - Up or down timing mode
  - Internal power supply by battery (10 years / 20 °C)

#### Part numbers

	Type	Functions	Connection	Relay outputs	Supply voltage	Nominal rating
88 857 707	Timer 816	A, B, C, D, Di, H	Plug-in 11 way	1 timed changeover	24 V ACDC / 110 V AC	8 A

#### Specifications

Number of digits	4
Height of digits	7 mm
Timing ranges	99 ■ 99 s 999 ■ 9 s 9999 s 99 mn 59 s 99 ■ 99 mn 999 ■ 9 mn 9999 mn 99 h 59 mn 99 ■ 99 h 999 ■ 9 h 9999 h
Repetition accuracy (with constant parameters)	± 0,03 % ± 20 ms
Display precision	± 0.03 % ± 20 ms
Min. control pulse	50 ms
Maximum reset time by de-energisation during timed delay	50 ms
Maximum reset time by de-energisation after timing	50 ms
Nominal rating	8 A AC 8 A DC
Max. breaking voltage	250 V AC 30 V DC
Maximum power rating (resistive)	2000 VA - 190 W
Maximum admissible current	15 A < 0,01 s
Minimum current	100 mA
Electrical life at I max., 250 V AC resistive (cycles)	10 <sup>5</sup>
Max. permitted number of operations at 1 max 250 V AC resistive per hour	600
Mechanical life (operations)	5 x 10 <sup>6</sup>
Voltage variation	+ 10 % - 15 %
Immunity from micro power cuts	< 0,03 s
Maximum power consumption	0.5 W/24 V 1.5 W/48 V 1 VA/24 V 1, 5, VA/48 V 4 VA/110 V 12 VA/230 V
Temperature limits use (°C)	-10 →+60
Temperature limits stored (°C)	-30 →+70
Degree of protection front face	IP65
Insulation according to standard IEC/EN 61812-1, IEC/EN 60255-5	■
Protection class according to CEI/EN 60529	■
Mounting Front panel, by clip	■
Mounting base-mounted on socket	■
Material	Self-extinguishing UL 94 grade Vo
Weight (g)	100

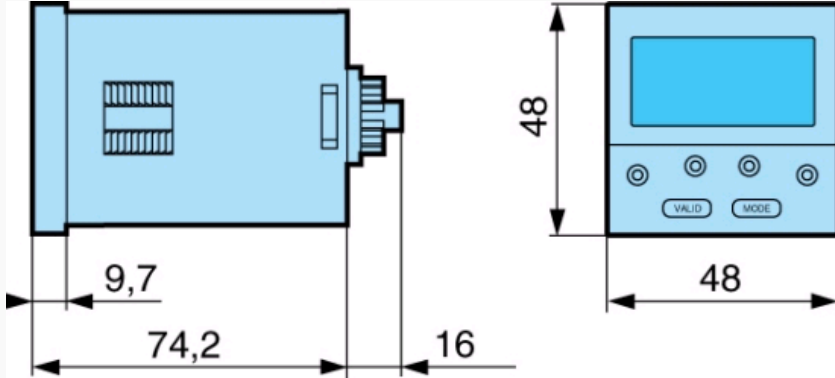
#### Accessories

Accessories	Code
Asymmetrical adaptor A	79 694 005
8-pin solder-connected plug	25 622 301
11-pin solder-connected plug	25 622 076
8-pin solder-connected base	79 694 016

02/11/2015

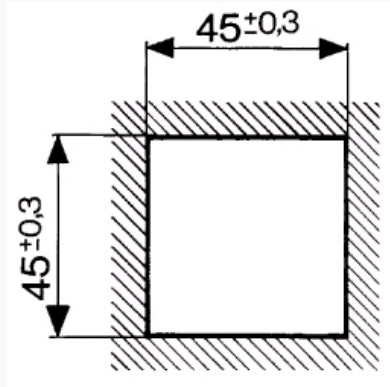
Spring clips (pack of 2)	79237739
11-pin connector base	25622080
8-pin connector socket	25 622 128
11-pin rear base	79 694 002

**Dimensions (mm)**

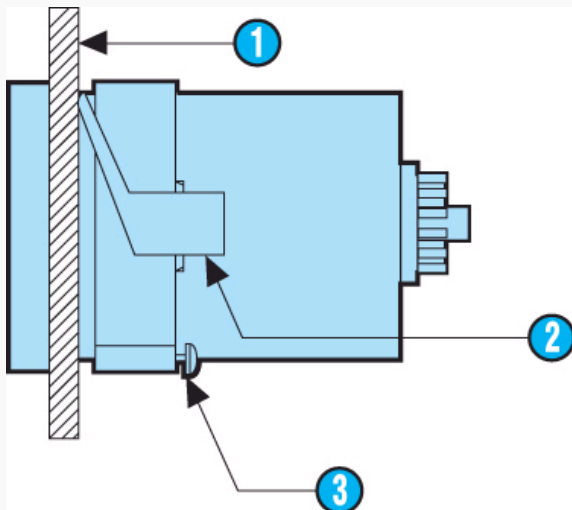


**Dimensions (mm)**

Panel cut-out



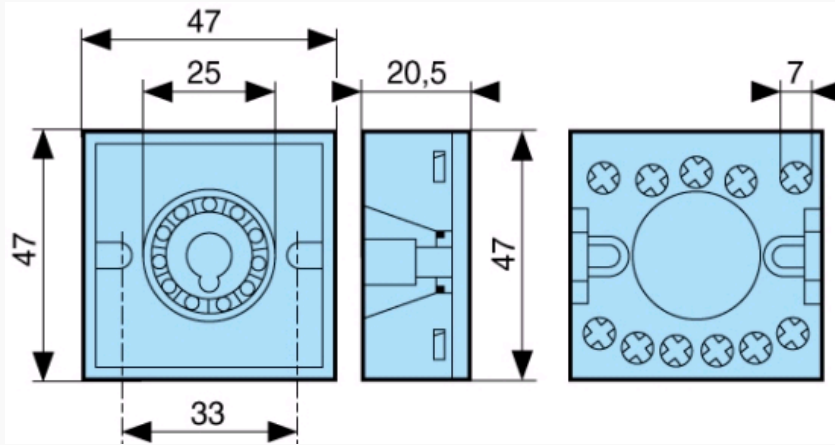
**Dimensions (mm)**



N°	Legend
1	Panel thickness 1 to 3,5 mm
2	Clip for panel-mounting
3	Positioning screw

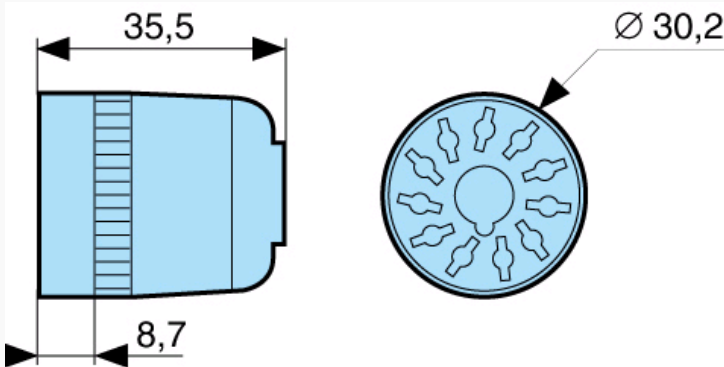
**Dimensions (mm)**

11-pole rear base panel-mounted  
79 694 002



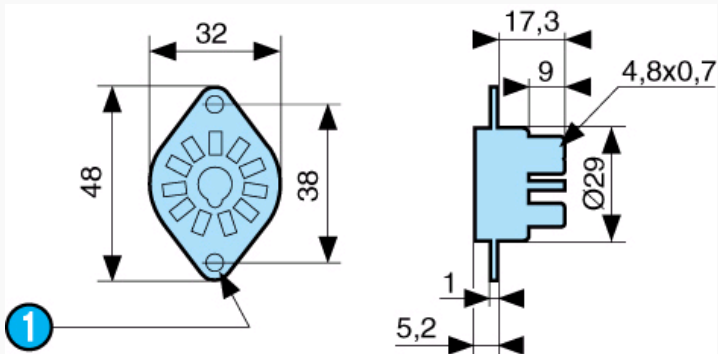
**Dimensions (mm)**

8-pin or 11-pin solder-connected plug  
25 622 076 - 25 622 301



**Dimensions (mm)**

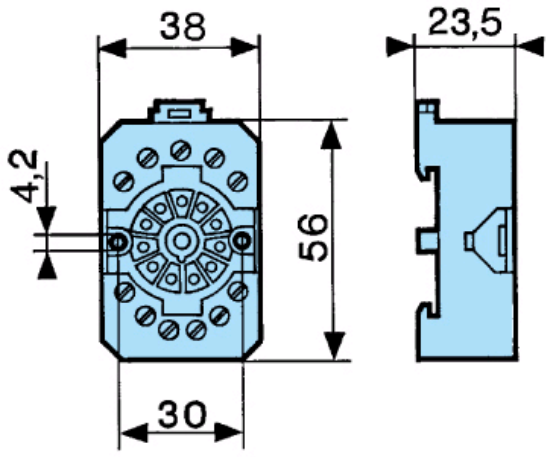
8-pin solder-connected base  
79 694 016



N°	Legend
1	2 holes

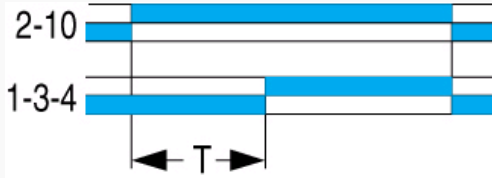
**Dimensions (mm)**

Connector socket  
11-pin 25 622 077  
8-pin 25 622 128



**Curves**

**Function A**

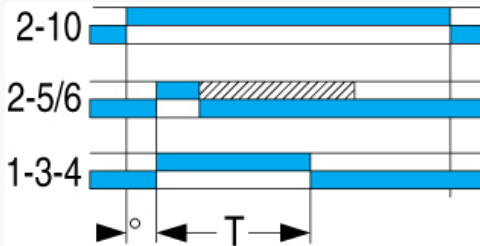


**Function A**

Delay on energisation  
1 timed relay

**Curves**

**Function B**

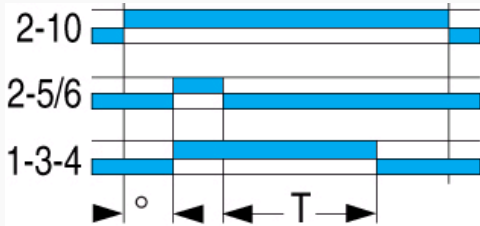


**Function B**

Timing on impulse (on shot)

**Curves**

**Function C**

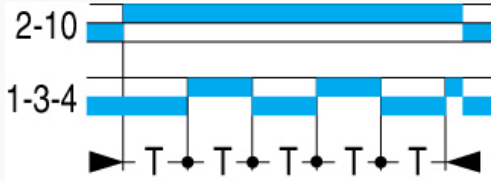


**Function C**

Timing after impulse (delay off)

**Curves**

**Function D**

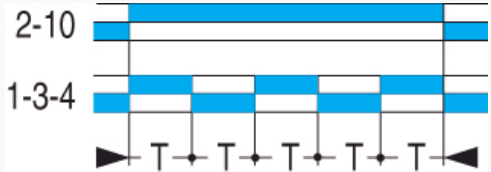


**Function D**

Flip-flop

**Curves**

**Function Di**

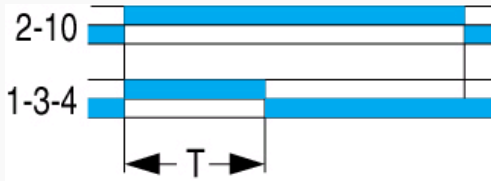


**Function Di**

Flip-flop

**Curves**

**Function H**

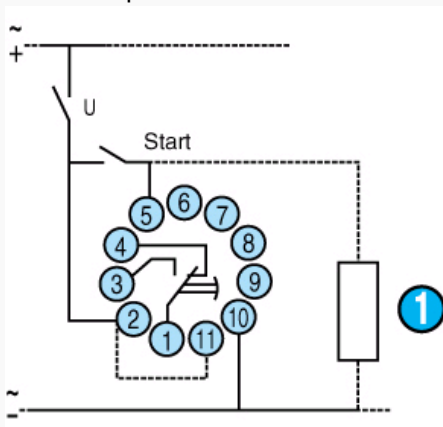


**Function H**

Timing or energisation

**Connections**

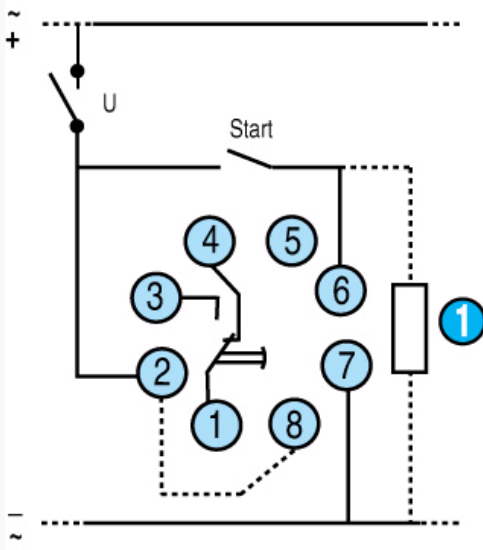
**Timer 816 - 11-pin**



N°	Legend
1	Other loads may be connected in parallel

**Connections**

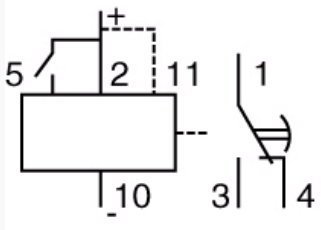
Timer 816 - 8-pin



N°	Legend
①	Other loads may be connected in parallel

**Connections**

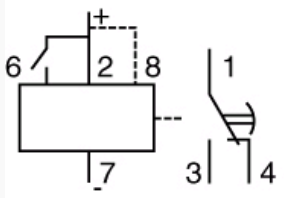
Timer 816 - 11-pin



N°	Legend
2-10	Supply
(2-11)	Bridge for 24 V supply
2-5	Control contact reset
1-3-4	Timed output contact

**Connections**

Timer 816 - 8-pin



N°	Legend
2-7	Supply
(2-8)	Bridge for 24 V supply
2-6	Control contact reset



02/11/2015

[www.crouzet.com](http://www.crouzet.com)

1-3-4

Timed output contact

#### Connections

CA 88857601

CA 88857601