

Excellent Integrated System Limited

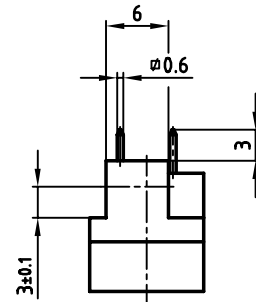
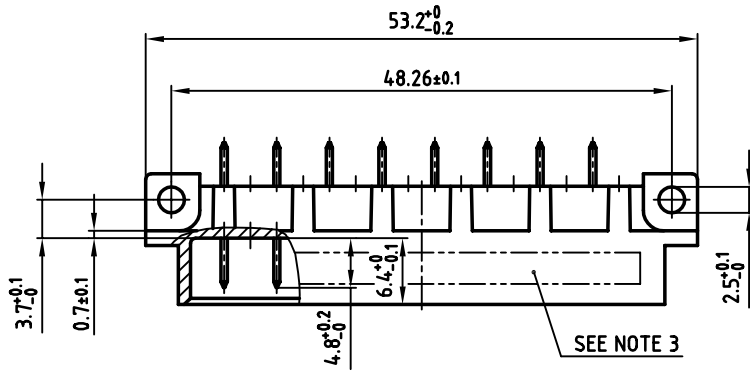
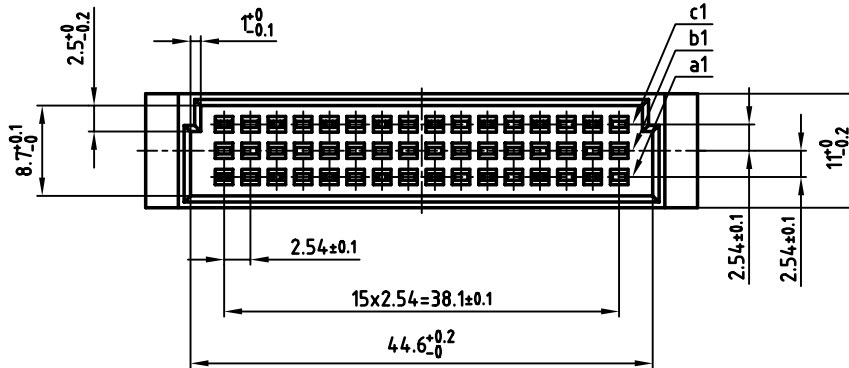
Stocking Distributor

Click to view price, real time Inventory, Delivery & Lifecycle Information:

[Conec](#)
[121B10409X](#)

For any questions, you can email us directly:
sales@integrated-circuit.com

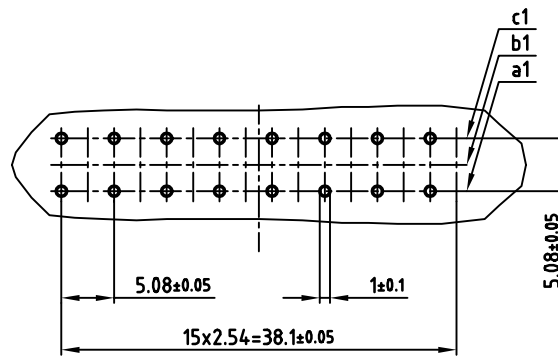
used for: DIN EN 60603 TYPE "C 1/2"



NOTES:

1. INSULATOR: PBTP GF UL 94 V-0, GREY
2. CONTACTS: COPPER ALLOY
PLATING: GOLD OVER NICKEL
400 MATING CYCLES
3. CONNECTOR IS PART MARKED: 121B10409X CONEC Y/WW

P.C.B. HOLE DRILLINGS



APPROVAL # FREIGABE # DEBLOCAGE # AUTORIZACION # APPROVAL	
CUSTOMER APPROVAL DATE:	
NAME:	TITLE:
COMPANY NAME:	

THIS DRAWING MAY NOT BE COPIED OR PRODUCED IN ANY WAY, AND MAY NOT BE PASSED ON TO A THIRD PARTY WITHOUT WRITTEN PERMISSION. OWNERSHIP AND COPYRIGHT OF CONEC GMBH NOT ALTER CAD DRAWING BY HAND

tolerance	dim. in mm	
2003	date	name
drawn	27.11.	Lehmenkühler
appd.	27.11.	Mickenbecker
norm	DIN EN 60603	
d-old		

scale:	2:1	
material:	SEE NOTES	
title:	MALE CONNECTOR TYPE "C 1/2" 16pos. SOLDER PIN	
dwg no:	AutoCAD 2000	DIN-A
	12K1A285	3
		sh: 1/1

