

Excellent Integrated System Limited

Stocking Distributor

Click to view price, real time Inventory, Delivery & Lifecycle Information:

[Bel Fuse Inc.](#)
[SI-51005-F](#)

For any questions, you can email us directly:

sales@integrated-circuit.com

THE INFORMATION CONTAINED HEREIN IS CONSIDERED "PROPRIETARY" TO BEL FUSE INC. AND SHALL NOT BE COPIED, REPRODUCED OR DISCLOSED WITHOUT THE WRITTEN APPROVAL OF BEL FUSE INC.



**PATENTED:
THIS PRODUCT IS
COVERED BY U.S.
PATENT 5,736,910**



DOCUMENT / PART NO.: SI-51005-F

TITLE : 10/100/1000BT, TAB UP SHIELDED

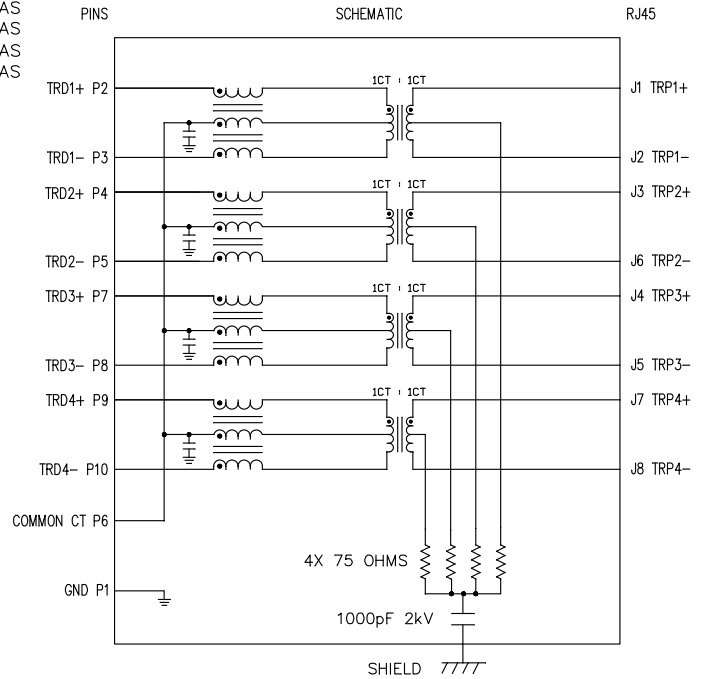
| ISSUE | DESCRIPTION OF CHANGE | | | | | | | | | | | | | | | | REVIEWED BY | APPROVED BY | ECN# |
|-------------|---|-----|-----|-----|-----|-----|-----|-----|-----|-----|-----|-----|-----|-----|------------------|-----|-------------|--------------|-------|
| A0 | Use new format and production release. | | | | | | | | | | | | | | | | David Chan | Steve Weller | 06290 |
| A1 | Add a note 9.This compnent is a patent; US patent Number 7,123,117 | | | | | | | | | | | | | | | | Bain Liu | Steve Weller | 06339 |
| A2 | Change circuit(C5104-F) the resistor array(26-1075) to single resistor(11-2075) | | | | | | | | | | | | | | | | Bain Liu | Steve Weller | 06367 |
| | | | | | | | | | | | | | | | | | | | |
| | | | | | | | | | | | | | | | | | | | |
| | | | | | | | | | | | | | | | | | | | |
| | | | | | | | | | | | | | | | | | | | |
| | | | | | | | | | | | | | | | | | | | |
| | | | | | | | | | | | | | | | | | | | |
| | | | | | | | | | | | | | | | | | | | |
| | | | | | | | | | | | | | | | | | | | |
| | | | | | | | | | | | | | | | | | | | |
| | | | | | | | | | | | | | | | | | | | |
| | | | | | | | | | | | | | | | | | | | |
| | | | | | | | | | | | | | | | | | | | |
| | | | | | | | | | | | | | | | | | | | |
| | | | | | | | | | | | | | | | | | | | |
| | | | | | | | | | | | | | | | | | | | |
| | | | | | | | | | | | | | | | | | | | |
| | | | | | | | | | | | | | | | | | | | |
| | | | | | | | | | | | | | | | | | | | |
| | | | | | | | | | | | | | | | | | | | |
| PAGE | 1 | 2 | 3 | 4 | --- | --- | --- | --- | --- | --- | --- | --- | --- | --- | --- | --- | --- | --- | |
| REV. | A2 | A2 | A2 | A2 | --- | --- | --- | --- | --- | --- | --- | --- | --- | --- | --- | --- | --- | --- | |
| PAGE | --- | --- | --- | --- | --- | --- | --- | --- | --- | --- | --- | --- | --- | --- | C5104-F REV A2 | | | | |
| REV. | --- | --- | --- | --- | --- | --- | --- | --- | --- | --- | --- | --- | --- | --- | 24-0373-F REV A1 | | | | |



THE INFORMATION CONTAINED HEREIN IS CONSIDERED "PROPRIETARY" TO BEL FUSE INC. AND SHALL NOT BE COPIED, REPRODUCED OR DISCLOSED WITHOUT THE WRITTEN APPROVAL OF BEL FUSE INC.

ELECTRICAL CHARACTERISTICS @ 25°C

- 1.0 INDUCTANCE:
 - (P2-P3) : 350uH MIN. @ 0.1V, 100KHz, 8mA DC BIAS
 - (P4-P5) : 350uH MIN. @ 0.1V, 100KHz, 8mA DC BIAS
 - (P7-P8) : 350uH MIN. @ 0.1V, 100KHz, 8mA DC BIAS
 - (P9-P10) : 350uH MIN. @ 0.1V, 100KHz, 8mA DC BIAS
- 2.0 TURNS RATIO:
 - (P2-P3):(J1-J2) : 1CT : 1CT ± 2%
 - (P4-P5):(J3-J6) : 1CT : 1CT ± 2%
 - (P7-P8):(J4-J5) : 1CT : 1CT ± 2%
 - (P9-P10):(J7-J8) : 1CT : 1CT ± 2%
- 3.0 RETURN LOSS: 100 OHM REF.
 - 500kHz TO 40MHz : -18dB MIN.
 - 40MHz TO 100MHz : -12+20LOG(f/80MHz) MIN.
- 4.0 INSERTION LOSS: RS=RL=100 OHMS
 - 100kHz TO 100MHz : -1.2dB MAX.
- 5.0 CROSS TALK: Ch1-Ch2, Ch1-Ch3, Ch1-Ch4, Ch2-Ch3, Ch2-Ch4, Ch3-Ch4
 - 1MHz TO 30MHz : -35dB MIN.
 - 30MHz TO 80MHz : -24dB MIN.
 - 80MHz TO 100MHz : -25dB MIN.
- 6.0 CM TO CM REJECTION:
 - 100kHz TO 100MHz : -30dB MIN.
- 7.0 CM TO DM REJECTION:
 - 100kHz TO 100MHz : -35dB MIN.
- 8.0 VOLTAGE WITHSTAND:
 - (J1,J2) TO (P2,P3) : 1500Vrms
 - (J3,J6) TO (P4,P5) : 1500Vrms
 - (J4,J5) TO (P7,P8) : 1500Vrms
 - (J7,J8) TO (P9,P10) : 1500Vrms



9.0 THIS COMPONENT IS A PATENT PRODUCT;US PATENT NUMBER 7,123,117.

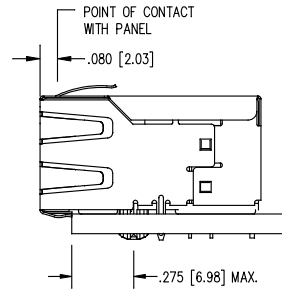
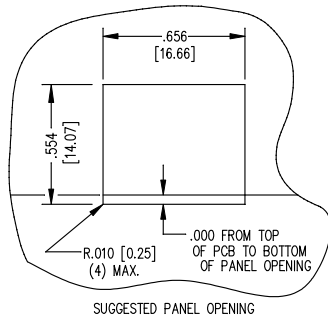
| | | | | | | | |
|--|-----------------------------------|---|---|------------------------------------|------------------------------|---------------------------------|--|
| ORIGINATED BY Zeng Xiao Chun | DATE 03-23-2011 | TITLE MagJack® 10/100/1000BT TAB UP SHIELDED PATENTED | PART NO. / DRAWING NO. SI-51005-F | STANDARD DIM. TOL. IN INCH | [] METRIC DIM. AS REFERENCE | | bel COMPONENTS FOR A COMPLETED PLANET |
| | DRAWN BY Zhang Ru Sheng | | DATE 03-23-2011 | FILE NAME SI-51005-F.DWG | X XX XXX | UNIT : INCH [mm] SCALE : N/A | |

FM999185 REV B1

This document is electronically generated. This is a controlled copy if used internally



THE INFORMATION CONTAINED HEREIN IS CONSIDERED "PROPRIETARY" TO BEL FUSE INC. AND SHALL NOT BE COPIED, REPRODUCED OR DISCLOSED WITHOUT THE WRITTEN APPROVAL OF BEL FUSE INC.



1. THE SUGGESTED PANEL OPENING IS INTENDED TO GIVE THE USER THE ABILITY TO HAVE REASONABLE JACK / PANEL CLEARANCES YET MAINTAIN RELIABLE GROUNDING CAPABILITY.
2. ALL TOLERANCES NOT OTHERWISE SPECIFIED TO BE ± 0.005 [0.13]

| | | | | | | |
|--|---------------------------|--|---|-------------------------------|---------------------------------|--|
| ORIGINATED BY Zeng Xiao Chun | DATE 03-23-2011 | TITLE MagJack® 100/100/1000BT TAB UP SHIELDED PATENTED | PART NO. / DRAWING NO. SI-51005-F | STANDARD DIM. TOL. IN INCH | [] METRIC DIM. AS REFERENCE | bel COMMITTED TO A CONNECTED PLANET |
| DRAWN BY Zhang Ru Sheng | DATE 03-23-2011 | | FILE NAME SI-51005-F.DWG | X XX XXX | UNIT : INCH [mm] SCALE : N/A | |

FM999185 REV B1

This document is electronically generated. This is a controlled copy if used internally