

Excellent Integrated System Limited

Stocking Distributor

Click to view price, real time Inventory, Delivery & Lifecycle Information:

[Bel Fuse Inc.](#)
[SI-60076-F](#)

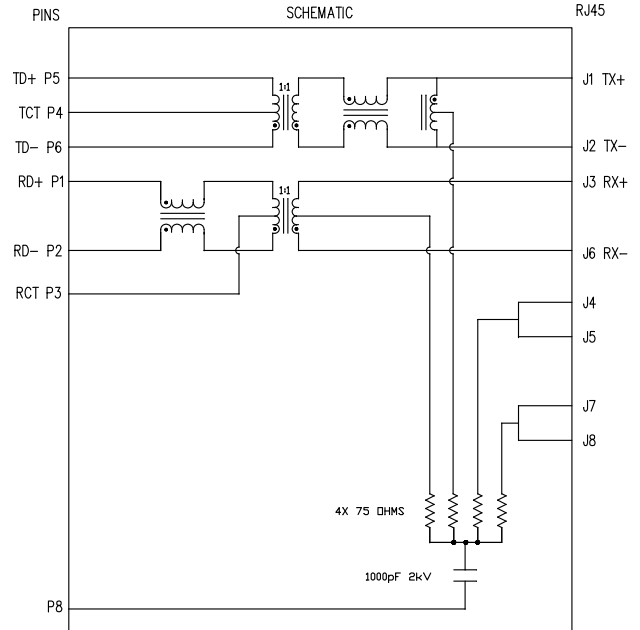
For any questions, you can email us directly:
sales@integrated-circuit.com



THE INFORMATION CONTAINED HEREIN IS CONSIDERED "PROPRIETARY" TO BEL FUSE INC. AND SHALL NOT BE COPIED, REPRODUCED OR DISCLOSED WITHOUT THE WRITTEN APPROVAL OF BEL FUSE INC.

ELECTRICAL CHARACTERISTICS @ 25°C

1.0	URNS RATIO:	(P2-P3-P1) : (J6-J3)	: 1CT : 1CT ± 3%
		(P6-P4-P5) : (J2-J1)	: 1CT : 1CT ± 3%
2.0	INDUCTANCE:	(P6-P5)	: 350uH MIN. @ 0.1V, 100KHz, 8mA DC Bias
		(J6-J3)	: 350uH MIN. @ 0.1V, 100KHz, 8mA DC Bias
3.0	LEAKAGE INDUCTANCE:	P6-P5 (WITH J2 AND J1 SHORT)	: 0.3uH MAX. @ 1MHz
		P2-P1 (WITH J6 AND J3 SHORT)	: 0.3uH MAX. @ 1MHz
4.0	INTERWINDING CAPACITANCE:	(P2,P3,P1) TO (J6,J3)	: 25pF MAX @ 1MHZ
		(P6,P4,P5) TO (J2,J1)	: 25pF MAX. @ 1MHZ
5.0	DC RESISTANCE:	(P2-P1)	: 1.2 ohms Max.
		(J2-J1)	: 1.2 ohms Max.
6.0	RETURN LOSS:	(P6-P4)=100 OHMS AND (P1-P3)=100 OHM REF.	
		1MHz TO 30MHz	: -18dB MIN.
		60MHz TO 80MHz	: -12dB MIN.
	NOTE: 100 OHMS CONNECTED TO (J2-J1) OR (J6-J3).		
7.0	DIELECTRIC WITHSTAND:	(J1, J2) TO (P6, P5)	: 1500 Vrms
		(J3, J6) TO (P2, P1)	: 1500 Vrms
8.0	INSERTION LOSS:	RS=RL=100 ohms	
		100KHz TO 100MHz	: -1.1 dB TYP
9.0	RISE TIME:	RS=100 OHMS AND RL = 100 OHMS	
		OUTPUT VOLTAGE = 1 V peak	: 3.0 nS MAX
		PULSE WIDTH= 112nS	: 3.0 nS MAX
10.0	CROSS TALK:	1MHz TO 100MHz	: -35 dB TYP
11.0	COMMON TO COMMON MODE ATTENUATION:	1MHz TO 100MHz	: -45 dB TYP



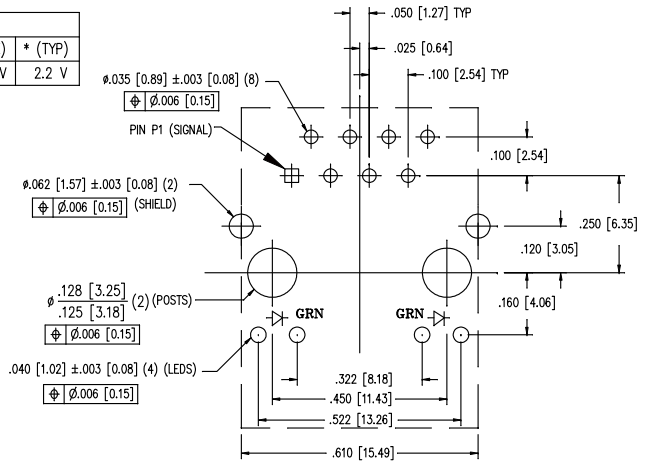
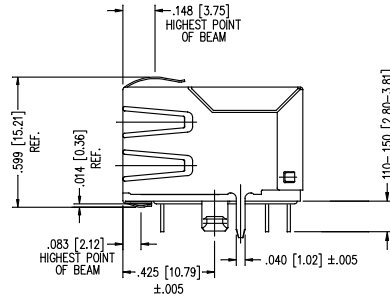
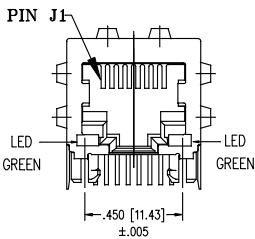
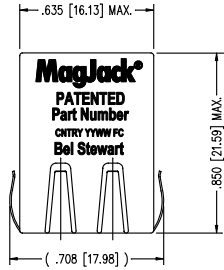
ORIGINATED BY Bain Liu	DATE 08-31-09	TITLE MagJack® 10/100BT TAB DOWN, SHIELDED PATENTED	PART NO. / DRAWING NO. SI-60076-F	STANDARD DIM. TOL. IN INCH	[] METRIC DIM. AS REFERENCE	bel COMPONENTS FOR A FLAMMABLE
	DRAWN BY Bain Liu		DATE 08-31-09	FILE NAME SI-60076-F.DWG	.X .XX .XXX ±0.005	



THE INFORMATION CONTAINED HEREIN IS CONSIDERED "PROPRIETARY" TO BEL FUSE INC. AND SHALL NOT BE COPIED, REPRODUCED OR DISCLOSED WITHOUT THE WRITTEN APPROVAL OF BEL FUSE INC.

LED SPECIFICATION			
STANDARD LED	WAVELENGTH	Forward V (MAX)	* (TYP)
GREEN	565 nm	2.5 V	2.2 V

*WITH A FORWARD CURRENT OF 20 mA (TYP)



P.C.B. RECOMMENDED HOLE LAYOUT
 SEEN FROM COMPONENT SIDE

ALL CENTERLINE DIMENSIONS ARE BASIC.

NOTES:

- CONNECTOR MATERIALS:
 HOUSING: THERMOPLASTIC UL94 V-0
 CONTACT/SHIELD: COPPER ALLOY
 SHIELD PLATING: NICKEL OR TIN
 CONTACT PLATING: SELECTIVE GOLD,
 50 MICRO-INCHES MIN. IN CONTACT AREA.
- PIN NOT ELECTRICALLY CONNECTED MAYBE OMITTED.
 SEE ELECTRICAL DRAWING FOR OMITTED PINS.
- TOLERANCES COMPLY WITH F.C.C. DIMENSION REQUIREMENTS.
- ALL TOLERANCES NOT OTHERWISE SPECIFIED TO BE ±.005 [0.13]
- WAVE SOLDER COMPATIBLE - PREHEAT 125°C/90SECS.

ORIGINATED BY	DATE
Bain Liu	08-31-09
DRAWN BY	DATE
Bain Liu	08-31-09

TITLE
MagJack® 10/100BT TAB DOWN, SHIELDED PATENTED

PART NO. / DRAWING NO.
SI-60076-F
FILE NAME
SI-60076-F.DWG

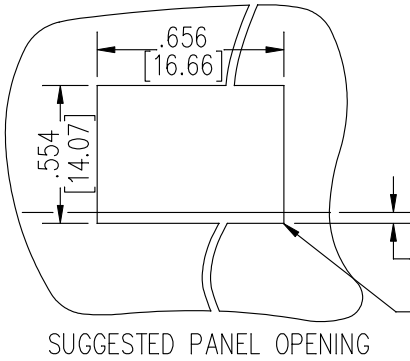
STANDARD DIM.	[] METRIC DIM. AS REFERENCE
TOL. IN INCH	UNIT : INCH [mm]
.X	SCALE : N/A
.XX	REV. : A0
.XXX	SIZE : A4
±.005	PAGE : 3

REV. : A0	SIZE : A4	PAGE : 3
-----------	-----------	----------

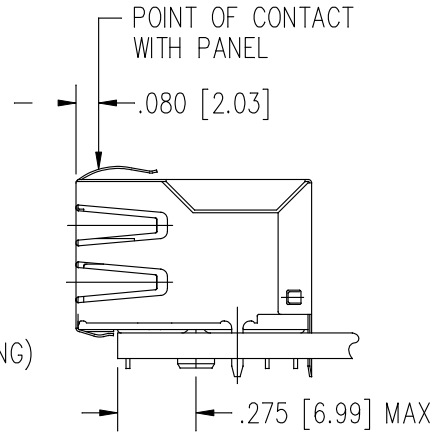




THE INFORMATION CONTAINED HEREIN IS CONSIDERED "PROPRIETARY" TO BEL FUSE INC. AND SHALL NOT BE COPIED, REPRODUCED OR DISCLOSED WITHOUT THE WRITTEN APPROVAL OF BEL FUSE INC.



.000 (TOP OF PCB TO BOTTOM OF OPENING)
 .010 [0.25] MAX. RADIUS(4)



1. THE SUGGESTED PANEL OPENING IS INTENDED TO GIVE THE USER THE ABILITY TO HAVE REASONABLE JACK / PANEL CLEARANCES YET MAINTAIN RELIABLE GROUNDING CAPABILITY.
2. ALL TOLERANCES NOT OTHERWISE SPECIFIED TO BE ± 0.005 [0.13]

ORIGINATED BY	DATE	TITLE	PART NO. / DRAWING NO.	STANDARD DIM. TOL. IN INCH	[] METRIC DIM. AS REFERENCE	 COMPONENTS FOR A CONNECTED PLANET	
Bain Liu	08-31-09	MagJack® 10/100BT TAB DOWN, SHIELDED PATENTED	SI-60076-F	.X	UNIT : INCH [mm]		REV. : A0
DRAWN BY	DATE		FILE NAME	.XX	SCALE : N/A		SIZE : A4
Bain Liu	08-31-09		SI-60076-F.DWG	.XXX ±0.005		PAGE : 4	