

## Excellent Integrated System Limited

Stocking Distributor

Click to view price, real time Inventory, Delivery & Lifecycle Information:

[Bel Fuse Inc.](#)  
[0810-1X4T-06-F](#)

For any questions, you can email us directly:  
[sales@integrated-circuit.com](mailto:sales@integrated-circuit.com)



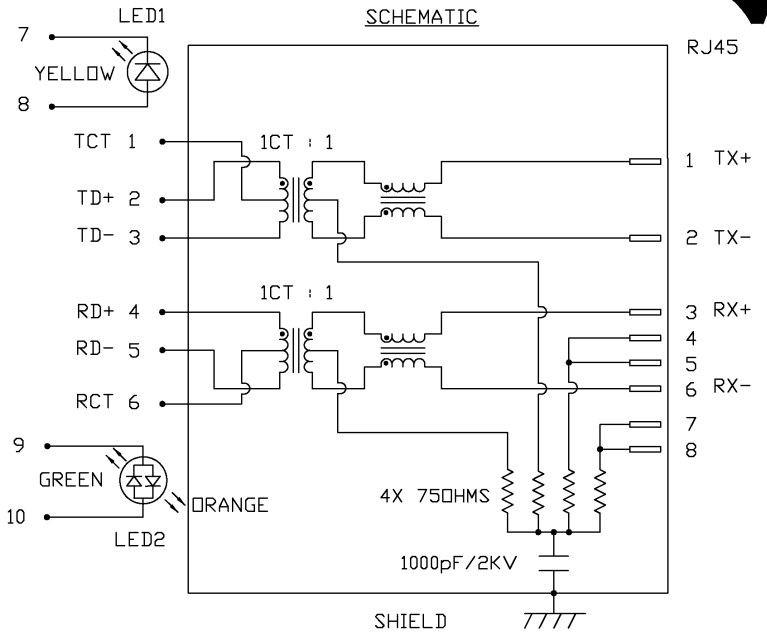
THE INFORMATION CONTAINED HEREIN IS CONSIDERED "PROPRIETARY" TO BEL FUSE INC. AND SHALL NOT BE COPIED, REPRODUCED OR DISCLOSED WITHOUT THE WRITTEN APPROVAL OF BEL FUSE INC.

LED1 POLARITY			LED2 POLARITY		
PIN 7	PIN 8	COLOR	PIN 9	PIN 10	COLOR
-	+	YELLOW	+	-	ORANGE
			-	+	GREEN

ELECTRICAL CHARACTERISTICS @ 25°C

URNS RATIO

TX	1CT : 1
RX	1CT : 1
OCL @ 100kHz/100mVRMS	350µH MIN.
8mA DC BIAS	
INS. LOSS	
1MHz TO 100MHz	-1.0 dB MAX
RET. LOSS (MIN)	
1MHz-30MHz	-18 dB
30MHz-60MHz	-18+20LOG(F/30MHz) dB
60MHz-80MHz	-12 dB
CROSS TALK (TX - RX)	
500kHz-1MHz	-70 dB MIN
10 MHz	-50 dB MIN
30 MHz	-45 dB MIN
50 MHz	-40 dB MIN
100 MHz	-35 dB MIN
CM TO CM REJ	
100kHz-1MHz	-70 dB MIN
10 MHz	-47 dB MIN
30 MHz	-42 dB MIN
60 MHz	-37 dB MIN
100 MHz	-30 dB MIN
CM TO DM REJ	
100kHz-1MHz	-70 dB MIN
10 MHz	-60 dB MIN
30 MHz	-50 dB MIN
60 MHz	-45 dB MIN
100 MHz	-40 dB MIN
HIPDT (Isolation Voltage):	1500 Vrms



LED 1  
 VF (FORWARD VOLTAGE) IF=20mA YELLOW 2.1V TYP.  
 λD (DOMINANT WAVELENGTH) IF=20mA YELLOW 590nm TYP.

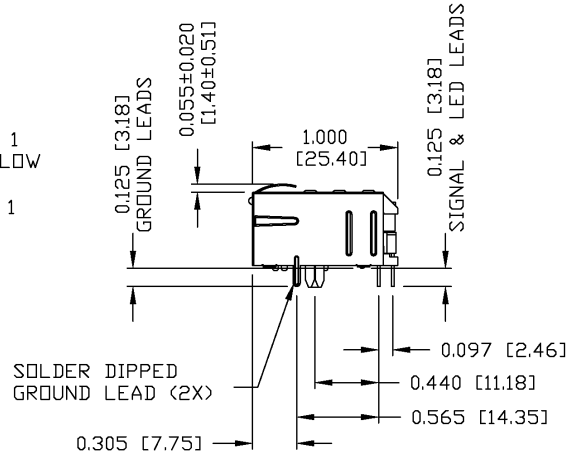
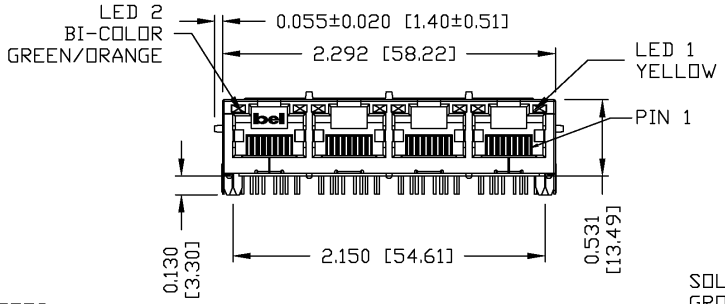
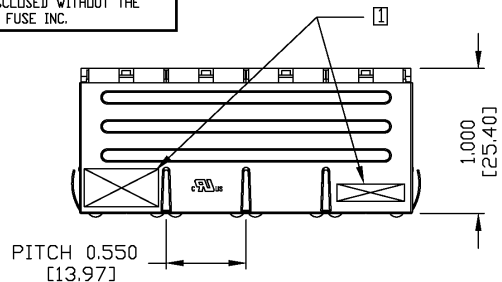
LED 2  
 VF (FORWARD VOLTAGE) IF=20mA GREEN 2.2V TYP.  
 ORANGE 2.0V TYP.  
 λD (DOMINANT WAVELENGTH) IF=20mA GREEN 565nm TYP.  
 ORANGE 610nm TYP.

ORIGINATED BY	DATE	TITLE	PART NO. / DRAWING NO.	STANDARD DIM. TOL. IN INCH	[ ] METRIC DIM. AS REFERENCE	REV. :
CHUNG	07-27-05	1X4 MagJack® (4 Cores, MDIX, CM Termination)	08101X4T06-F	.X .XX .XXX	UNIT : INCH [mm] SCALE : N/A	A
DRAWN BY	DATE		FILE NAME		SIZE : A4	
DE	07-27-05		08101X4T06-FA.DWG		PAGE : 2	





THE INFORMATION CONTAINED HEREIN IS CONSIDERED "PROPRIETARY" TO BEL FUSE INC. AND SHALL NOT BE COPIED, REPRODUCED OR DISCLOSED WITHOUT THE WRITTEN APPROVAL OF BEL FUSE INC.



- NOTES:**  
 PLASTIC HOUSING: THERMOPLASTIC PBT  
 FLAMMABILITY RATING UL 94V-0  
 CONTACTS PLATING: 50 MICRO-INCH HARD GOLD PLATING  
 PINS: TIN-COATED COPPER WIRE, DIA 0.018 INCH.  
 METAL SHIELD: NICKEL OR TIN PLATED ON COPPER ALLOY.  
 (ALL NICKEL PLATED GROUND LEADS ARE SOLDER DIPPED)

RoHS COMPLIANCE, PER EU DIRECTIVE 2002/95/EC.  
 RoHS COMPLIANCE, PER EU DIRECTIVE 2002/95/EC.

① MARK PART WITH MFG LOGO, MFG NAME, PART NUMBER, AND DATE CODE.

ORIGINATED BY	DATE	TITLE	PART NO. / DRAWING NO.	STANDARD DIM. TOL. IN INCH	[ ] METRIC DIM. AS REFERENCE
BILL	07-27-05	1X4 MagJack®	08101X4T06-F	.X	UNIT : INCH [mm] REV. : A
DRAWN BY	DATE	(4 Cores, MDIX, CM Termination)	FILE NAME	.XX	SCALE : N/A SIZE : A4
QIAN	07-27-05	0810-1X4T-06-F	08101X4T06-FA.DWG	.XXX ±0.010	PAGE : 3



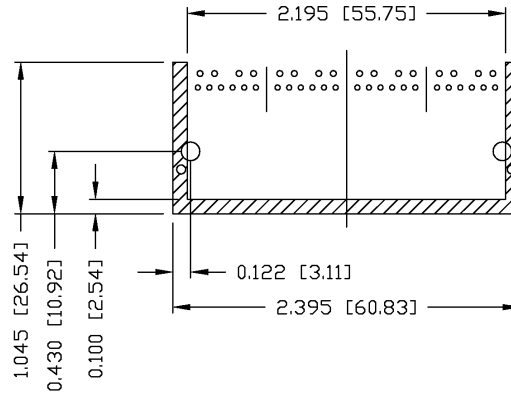
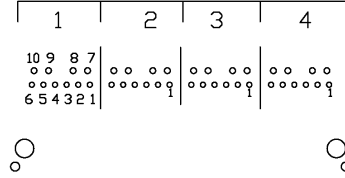


THE INFORMATION CONTAINED HEREIN IS CONSIDERED PROPRIETARY TO BEL FUSE INC. AND SHALL NOT BE COPIED, REPRODUCED OR DISCLOSED WITHOUT THE WRITTEN APPROVAL OF BEL FUSE INC.

**PIN-OUT INFORMATION**  
(COMPONENT SIDE VIEW)

6	RCT
5	RD-
4	RD+
3	TD-
2	TD+
1	TCT

**PORT AND PIN ASSIGNMENT**  
(COMPONENT SIDE VIEW)



THE SHADED AREA ON THE CUSTOMER BOARD ARE RECOMMENDED TO BE CLEAR OFF ANY VIA HOLE OR COMPONENT PAD.

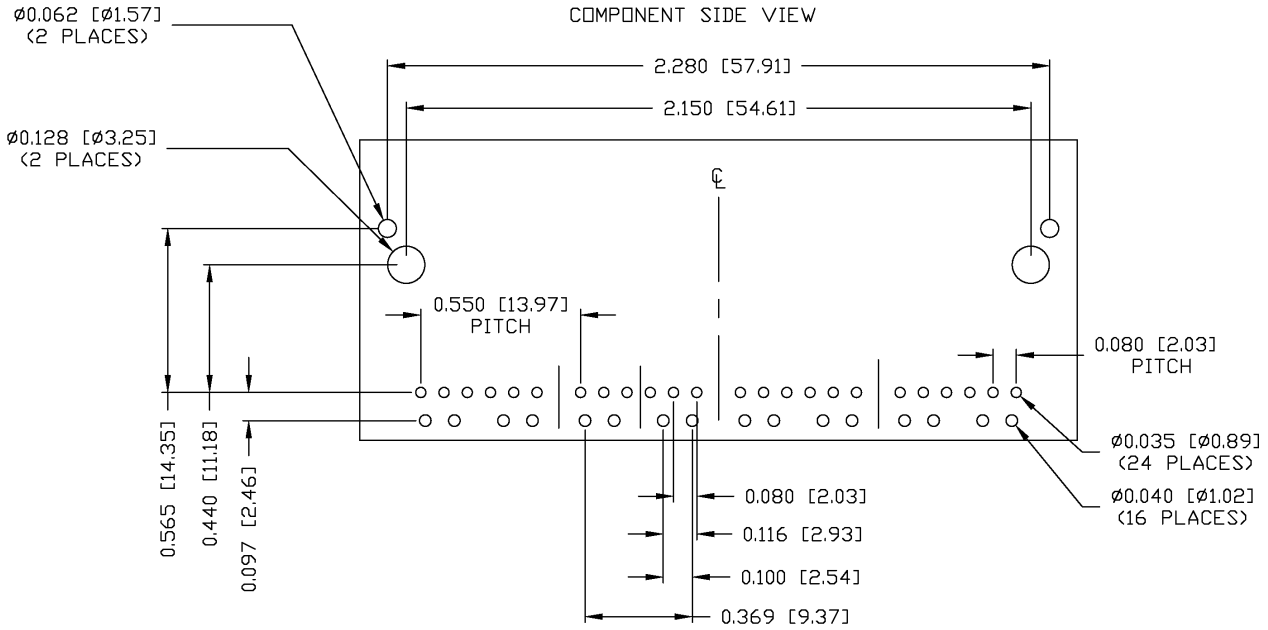
<b>ORIGINATED BY</b>	<b>DATE</b>	<b>TITLE</b>	<b>PART NO. / DRAWING NO.</b>	<b>STANDARD DIM. TOL. IN INCH</b>	<b>[ ] METRIC DIM. AS REFERENCE</b>	<b>UNIT : INCH [mm]</b>	<b>REV. : A</b>
BILL	07-27-05	1X4 MagJack®	08101X4T06-F	.X			
<b>DRAWN BY</b>	<b>DATE</b>	(4 Cores, MDIX, CM Termination)	<b>FILE NAME</b>	.XX		<b>SCALE : N/A</b>	<b>SIZE : A4</b>
QIAN	07-27-05	0810-1X4T-06-F	08101X4T06-FA.DWG	.XXX	±0.010		<b>PAGE : 4</b>





THE INFORMATION CONTAINED HEREIN IS CONSIDERED 'PROPRIETARY' TO BEL FUSE INC. AND SHALL NOT BE COPIED, REPRODUCED OR DISCLOSED WITHOUT THE WRITTEN APPROVAL OF BEL FUSE INC.

**RECOMMENDED PCB FOOTPRINT**  
COMPONENT SIDE VIEW

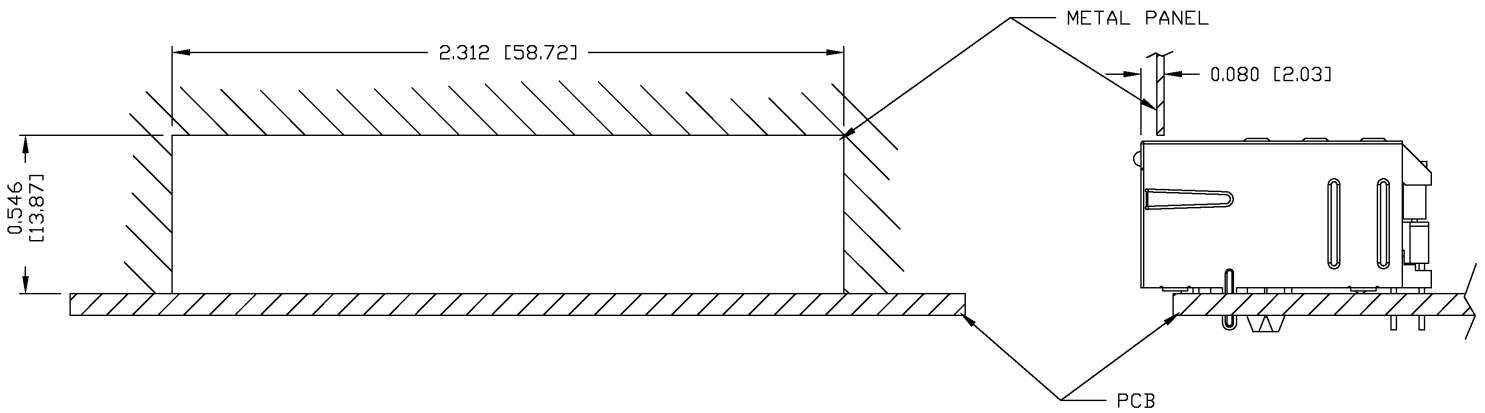


ORIGINATED BY	DATE	TITLE	PART NO. / DRAWING NO.	STANDARD DIM. TOL. IN INCH	[ ] METRIC DIM. AS REFERENCE	
BILL	07-27-05	1X4 MagJack®	08101X4T06-F	.X	UNIT : INCH [mm]	REV. : A
DRAWN BY	DATE	<4 Cores, MDIX, CM Termination>	FILE NAME	.XX	SCALE : N/A	SIZE : A4
QIAN	07-27-05	0810-1X4T-06-F	08101X4T06-FA.DWG	.XXX ±0.010	⊕	PAGE : 5



THE INFORMATION CONTAINED HEREIN IS CONSIDERED "PROPRIETARY" TO BEL FUSE INC. AND SHALL NOT BE COPIED, REPRODUCED OR DISCLOSED WITHOUT THE WRITTEN APPROVAL OF BEL FUSE INC.

SUGGESTED PANEL OPENING



NOTES:

THE DISTANCE OF PANEL INSIDE SURFACE RELATIVE TO FRONT SURFACE OF PART IS ONLY A SUGGESTION. IN CASE THIS DISTANCE IS DIFFERENT, THE REQUIRED PANEL OPENING DIMENSIONS CHANGE ACCORDINGLY.

PACKING INFORMATION

PACKING TRAY : 0200-0148-17

PACKING QUANTITY : 30 PCS FINISHED GOODS PER TRAY.

10 TRAYS (300 PCS FINISHED GOODS) PER CARTON BOX.

NOTE : CARDBOARDS ARE PLACED BETWEEN LAYERS OF PACKING TRAY INSIDE CARTON BOX.

(INCLUDE THE UPPERMOST AND LOWERMOST TRAY)

ORIGINATED BY	DATE	TITLE	PART NO. / DRAWING NO.	STANDARD DIM. TOL. IN INCH	[ ] METRIC DIM. AS REFERENCE	 COMPONENTS ON A CONNECTED PLANET	
BILL	07-27-05	1X4 MagJack® (4 Cores, MDIX, CM Termination)	08101X4T06-F	.X	UNIT : INCH [mm]		REV. : A
DRAWN BY	DATE		FILE NAME	.XX	SCALE : N/A		SIZE : A4
QIAN	07-27-05		08101X4T06-FA.DWG	.XXX ±0.005			PAGE : 6

DC002(2)032305

This document is electronically generated. This is a controlled copy if used internally