

Excellent Integrated System Limited

Stocking Distributor

Click to view price, real time Inventory, Delivery & Lifecycle Information:

[Bel Fuse Inc.](#)
[0833-2X8R-59-F](#)

For any questions, you can email us directly:
sales@integrated-circuit.com

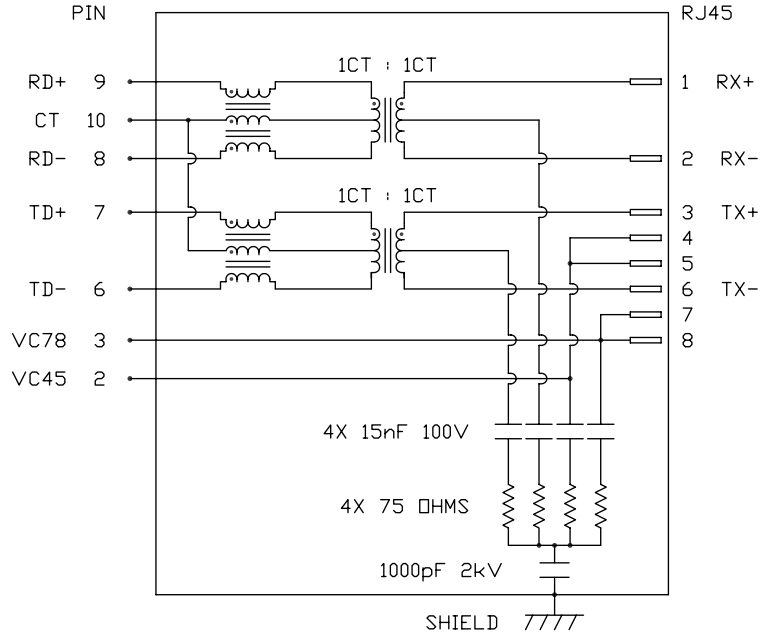


THE INFORMATION CONTAINED HEREIN IS CONSIDERED 'PROPRIETARY' TO BEL FUSE INC. AND SHALL NOT BE COPIED, REPRODUCED OR DISCLOSED WITHOUT THE WRITTEN APPROVAL OF BEL FUSE INC.

ELECTRICAL CHARACTERISTICS @ 25°C

| | |
|---|--|
| TURNS RATIO OCL @ 0.1V, 100KHz 8mA DC BIAS INSERTION LOSS 100KHz TO 100MHZ RETURN LOSS (MIN.) 2MHZ-30MHZ 60MHZ-80MHZ D.C. RESISTANCE (9-8)=(7-6) (RJ1-RJ2)=(RJ3-RJ6) INTERWINDING CAPACITANCE PER CHANNEL (PRI. to SEC.) XTALK 100KHz TO 100MHZ HIPDT (Isolation Voltage): 100% OF PRODUCTION TESTED TO COMPLY WITH IEEE 802.3 ISOLATION REQUIREMENT BALANCED DC LINE CURRENT | 1CT : 1CT ±2% 350μ H MIN. -1.5 dB MAX. -16 dB MIN. -10 dB MIN. 1.40 OHM MAX. 1.0 OHM MAX. 40 pF MAX. -30 dB MIN. 2250 VDC 350 mA MAX. @ 57 VDC CONTINUOUS 500 mA MAX. @ 57 VDC FOR 200 MILLISECONDS |
|---|--|

SCHEMATIC



| | | | | | | |
|--|-------------------------|--|---|-----------------------------------|---|--|
| ORIGINATED BY CHOW WANGCHUNG | DATE 09-02-09 | TITLE 2X8 10/100 MagJack® PoE 0833-2X8R-59-F PATENTED | PART NO. / DRAWING NO. 08332X8R59-F | STANDARD DIM. TOL. IN INCH | <input type="checkbox"/> METRIC DIM. AS REFERENCE | |
| DRAWN BY LEE WEIDE | DATE 09-02-09 | | FILE NAME 08332X8R59-F_A.DWG | .X .XX .XXX | UNIT : INCH [mm] SCALE : N/A | |

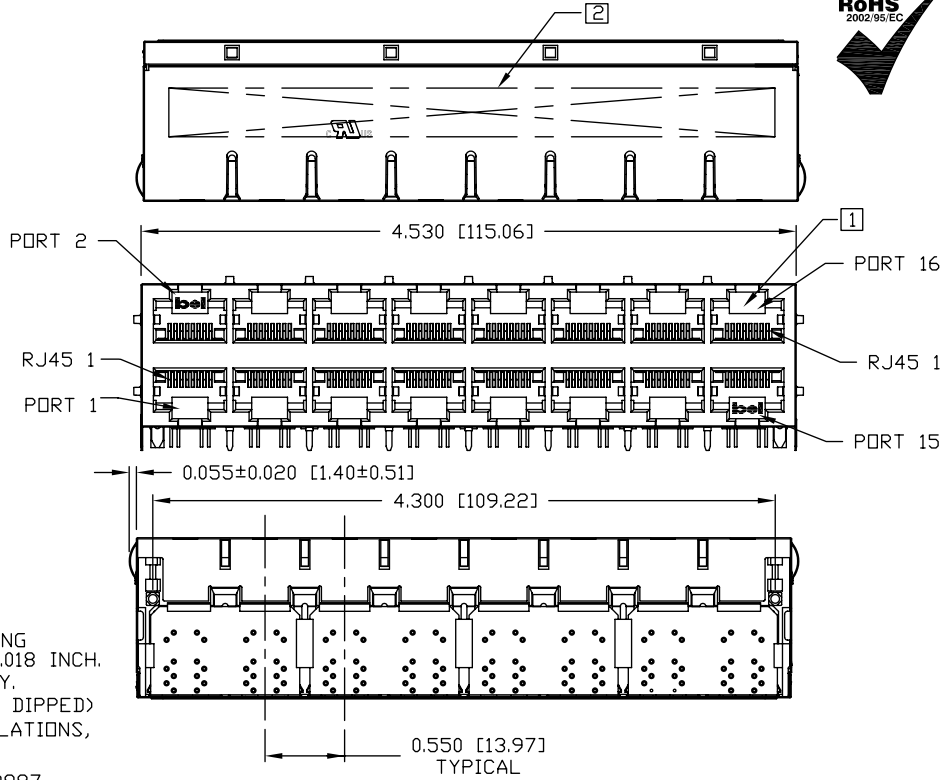
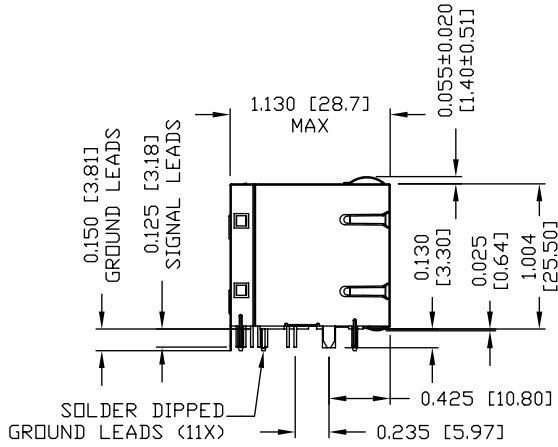
DC002(2)051509

This document is electronically generated. This is a controlled copy if used internally





THE INFORMATION CONTAINED HEREIN IS CONSIDERED 'PROPRIETARY' TO BEL FUSE INC. AND SHALL NOT BE COPIED, REPRODUCED OR DISCLOSED WITHOUT THE WRITTEN APPROVAL OF BEL FUSE INC.



NOTES:
 PLASTIC HOUSING: THERMOPLASTIC PBT
 FLAMMABILITY RATING UL 94V-0
 CONTACT PLATING: 50 MICRO-INCH HARD GOLD PLATING
 OUTPUT PINS: TIN-COATED COPPER WIRE, DIA 0.018 INCH.
 METAL SHIELD: NICKEL PLATED ON COPPER ALLOY.
 (ALL GROUND LEADS ARE SOLDER DIPPED)

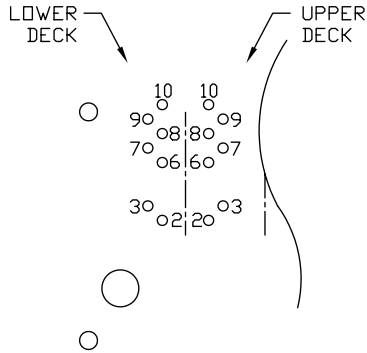
1. JACK CAVITY CONFORMS TO FCC RULES AND REGULATIONS, PART 68 SUBPART F.
 cULus UL RECOGNIZED - FILE #E196366 AND E169987.
2. MARK PART WITH MFG LOGO, MFG NAME, PART NUMBER, DATE CODE AND PATENTED.
3. RoHS COMPLIANCE, PER EU DIRECTIVE 2002/95/EC
4. THE PRODUCT IS PATENTED, THE PATENT NUMBER IS U.S. PAT. 5,736,910.

| | | | | | | | |
|---------------------------------|-------------------------|--|---|---|-------------------------------------|-----------|--|
| ORIGINATED BY LIU QIN | DATE 09-02-09 | TITLE 2X8 10/100 MagJack® PoE 0833-2X8R-59-F PATENTED | PART NO. / DRAWING NO. 08332X8R59-F | STANDARD DIM. TOL. IN INCH .X .XX .XXX ±0.010 | [] METRIC DIM. AS REFERENCE | | |
| DRAWN BY XIAN JIAXIN | DATE 09-02-09 | | FILE NAME 08332X8R59-F_A.DWG | | UNIT : INCH [mm] | REV. : A | |
| | | | | | SCALE : N/A | SIZE : A4 | |

DC002(2)051509

This document is electronically generated. This is a controlled copy if used internally

THE INFORMATION CONTAINED HEREIN IS CONSIDERED "PROPRIETARY" TO BEL FUSE INC. AND SHALL NOT BE COPIED, REPRODUCED OR DISCLOSED WITHOUT THE WRITTEN APPROVAL OF BEL FUSE INC.

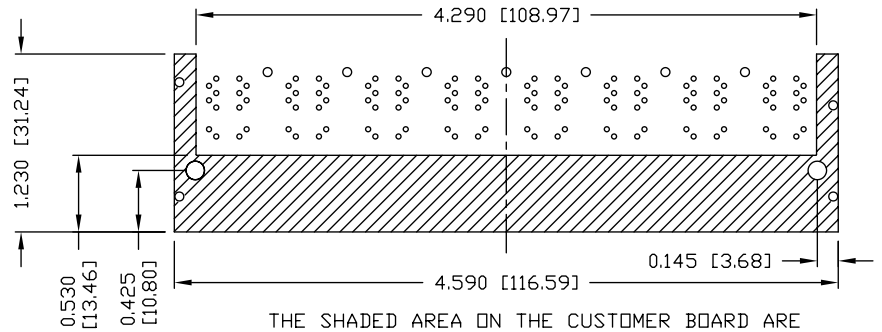
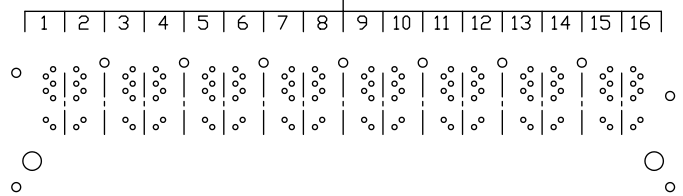


PIN-OUT INFORMATION
(COMPONENT SIDE VIEW)

| | |
|----|-----------|
| 10 | COMMON CT |
| 9 | RD+ |
| 8 | RD- |
| 7 | TD+ |
| 6 | TD- |
| 5 | NO PIN |
| 4 | NO PIN |
| 3 | VC78 |
| 2 | VC45 |
| 1 | NO PIN |

UNUSED PIN LOCATIONS MUST BE REMOVED TO ENSURE 2KV ISOLATION.

PORT ASSIGNMENT
(COMPONENT SIDE VIEW)

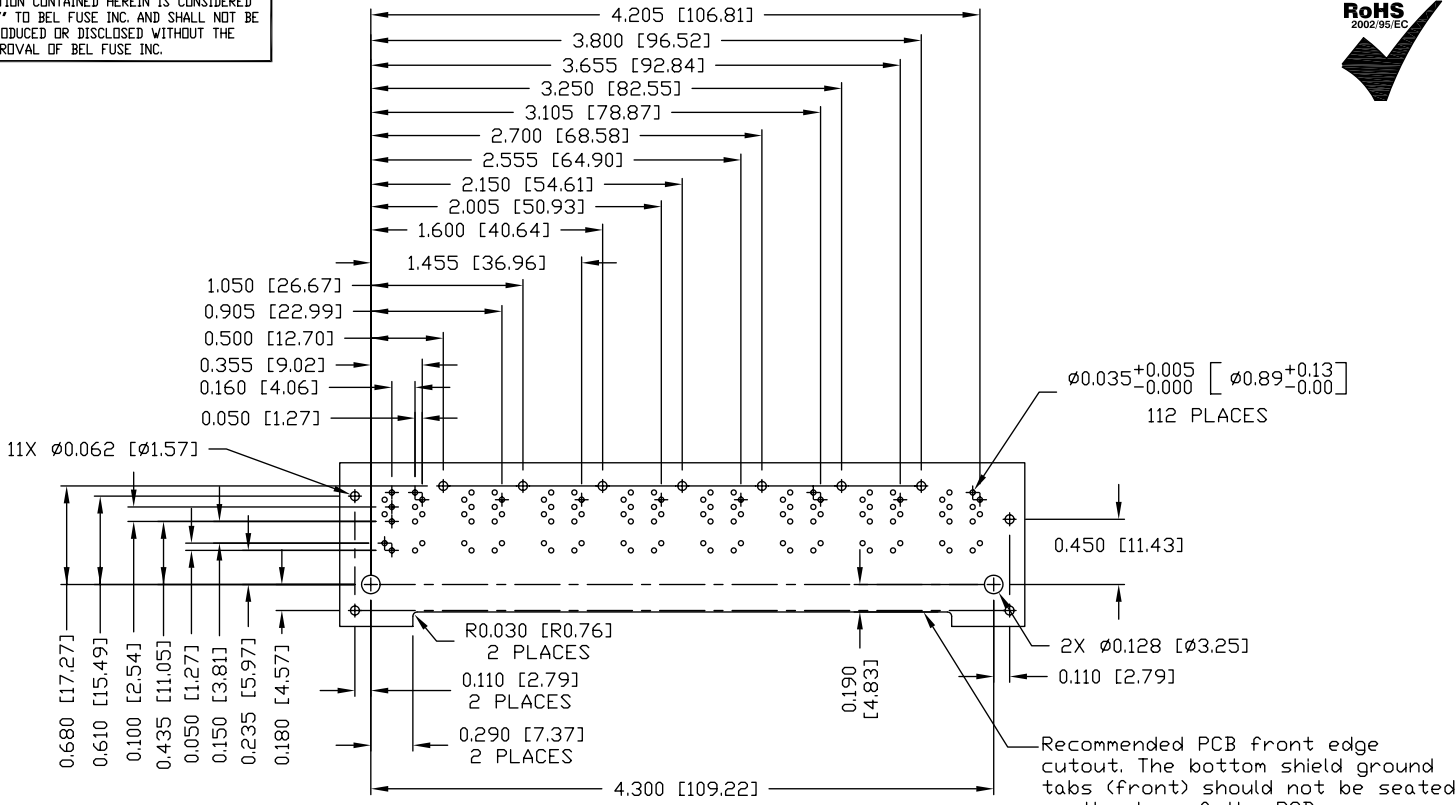


THE SHADED AREA ON THE CUSTOMER BOARD ARE RECOMMENDED TO BE CLEAR OFF ANY VIA HOLE OR COMPONENT PAD.

| | | | | | | | |
|---------------------------------|-------------------------|--|---|---|-------------------------------------|----------|----------|
| ORIGINATED BY LIU QIN | DATE 09-02-09 | TITLE 2X8 10/100 MagJack® PoE 0833-2X8R-59-F PATENTED | PART NO. / DRAWING NO. 08332X8R59-F | STANDARD DIM. TOL. IN INCH .X .XX .XXX ±0.004 | [] METRIC DIM. AS REFERENCE | | |
| DRAWN BY XIAN JIAXIN | DATE 09-02-09 | | FILE NAME 08332X8R59-F_A.DWG | | UNIT : INCH [mm] | REV. : A | |
| | | | | | | | PAGE : 4 |



THE INFORMATION CONTAINED HEREIN IS CONSIDERED "PROPRIETARY" TO BEL FUSE INC. AND SHALL NOT BE COPIED, REPRODUCED OR DISCLOSED WITHOUT THE WRITTEN APPROVAL OF BEL FUSE INC.

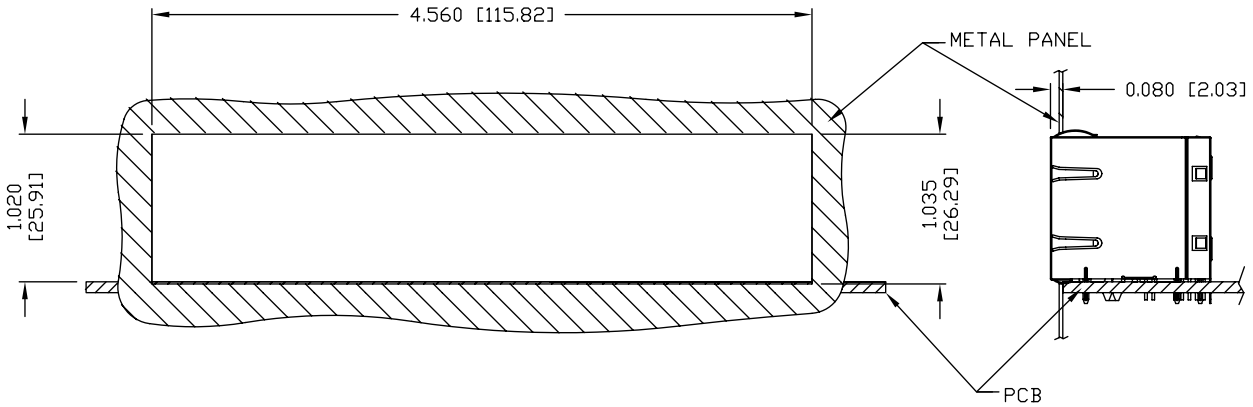


SUGGESTED FOOTPRINT
(COMPONENT SIDE VIEW)

| | | | | | | | | |
|---------------------------------|-------------------------|--|---|---|-------------------------------------|----------|--|------------------------------------|
| ORIGINATED BY LIU QIN | DATE 09-02-09 | TITLE 2X8 10/100 MagJack® PoE 0833-2X8R-59-F PATENTED | PART NO. / DRAWING NO. 08332X8R59-F | STANDARD DIM. TOL. IN INCH .X .XX .XXX ±0.004 | [] METRIC DIM. AS REFERENCE | | | |
| DRAWN BY XIAN JIAXIN | DATE 09-02-09 | | FILE NAME 08332X8R59-F_A.DWG | | UNIT : INCH [mm] | REV. : A | | SCALE : N/A |
| DC002(2)051509 | | | This document is electronically generated. This is a controlled copy if used internally | | | PAGE : 5 | | COMPONENTS CONNECTED PLANET |

THE INFORMATION CONTAINED HEREIN IS CONSIDERED 'PROPRIETARY' TO BEL FUSE INC. AND SHALL NOT BE COPIED, REPRODUCED OR DISCLOSED WITHOUT THE WRITTEN APPROVAL OF BEL FUSE INC.

SUGGESTED PANEL OPENING



NOTE:

THE DISTANCE OF PANEL INSIDE SURFACE RELATIVE TO FRONT SURFACE OF PART IS ONLY A SUGGESTION. IN CASE THIS DISTANCE IS DIFFERENT, THE REQUIRED PANEL OPENING DIMENSIONS CHANGE ACCORDINGLY.

PACKING INFORMATION

PACKING TRAY : 0200-9999-B2 (TOP)
 0200-9999-B1 (BOTTOM)
 PACKING QUANTITY : 10 PCS FINISHED GOODS PER TRAY
 7 TRAY (70 PCS FINISHED GOODS) PER CARTON BOX

NOTE : CARDBOARDS ARE PLACED BETWEEN LAYERS OF PACKING TRAY INSIDE CARTON BOX (INCLUDE THE UPPERMOST AND LOWERMOST TRAY)

| | | | | | | | |
|---------------------------------|-------------------------|--|---|---|-------------------------------------|----------|---|
| ORIGINATED BY LIU QIN | DATE 09-02-09 | TITLE 2X8 10/100 MagJack® PoE 0833-2X8R-59-F PATENTED | PART NO. / DRAWING NO. 08332X8R59-F | STANDARD DIM. TOL. IN INCH .X .XX .XXX ±0.004 | [] METRIC DIM. AS REFERENCE | | bel COMPONENTS CONNECTED PLANET |
| DRAWN BY XIAN JIAXIN | DATE 09-02-09 | | FILE NAME 08332X8R59-F_A.DWG | | UNIT : INCH [mm] | REV. : A | |
| | | | | | PAGE : 6 | | |

DC002(2)051509

This document is electronically generated. This is a controlled copy if used internally