

Excellent Integrated System Limited

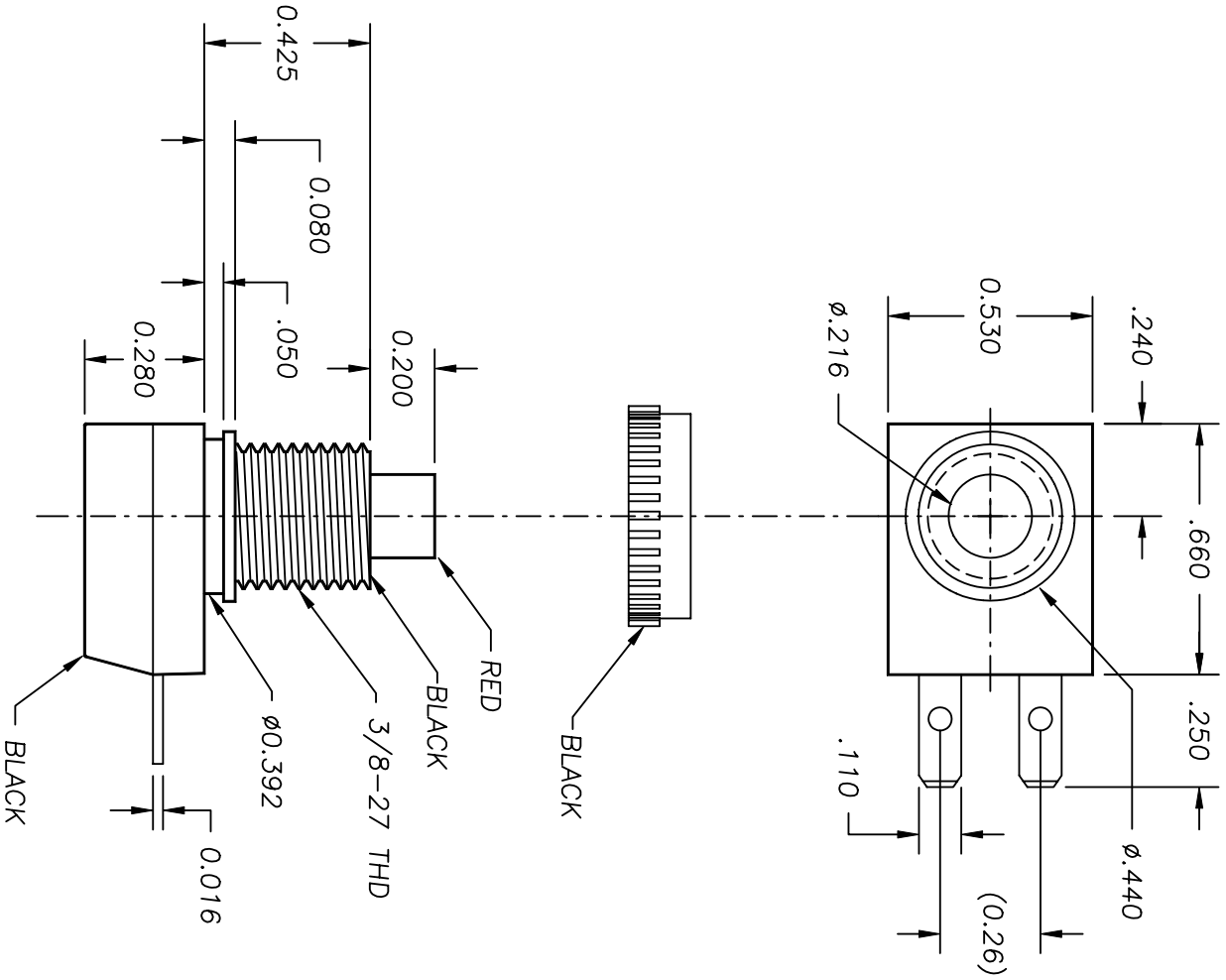
Stocking Distributor

Click to view price, real time Inventory, Delivery & Lifecycle Information:

[Judco Manufacturing, Inc.](#)
[40-1880-02](#)

For any questions, you can email us directly:

sales@integrated-circuit.com

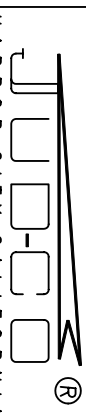


LTR	EN	DESCRIPTION	APPR	BY	DATE
A	-	INITIAL RELEASE	RB	EM	2-04-04
A1	-	CORRECTED SWITCH TYPE FUNCTION	MT	NH	1-13-09

JUDCO INVENTORY NO. 40-1880-02
 SWITCH TYPE: NORMALLY CLOSED, MOMENTARY OPEN
 NUTS PACKED SEPARATELY

CUSTOMER:
 CUST. PN:
 APPROVED BY:
 DATE:

DIMENSIONS IN INCHES
 DIMENSIONS ARE REFERENCE



DRAWN: EM 02-04-04

APPR: KU 02-04-04

ENG: IS 1-13-09

DWG. NO. 1415-561

SHEET 1 OF 1

1415US61A1.DWG

1 OF 1

This document embodies a product, component, and/or design proprietary to JUDCO MANUFACTURING INC., and which is protected either as a trade secret, by U.S. Patent, or by copyright. It may not be used in any way without written express consent of JUDCO MANUFACTURING INC.