

Excellent Integrated System Limited

Stocking Distributor

Click to view price, real time Inventory, Delivery & Lifecycle Information:

[Bel Fuse Inc.](#)
[C850-2G8R-54](#)

For any questions, you can email us directly:
sales@integrated-circuit.com

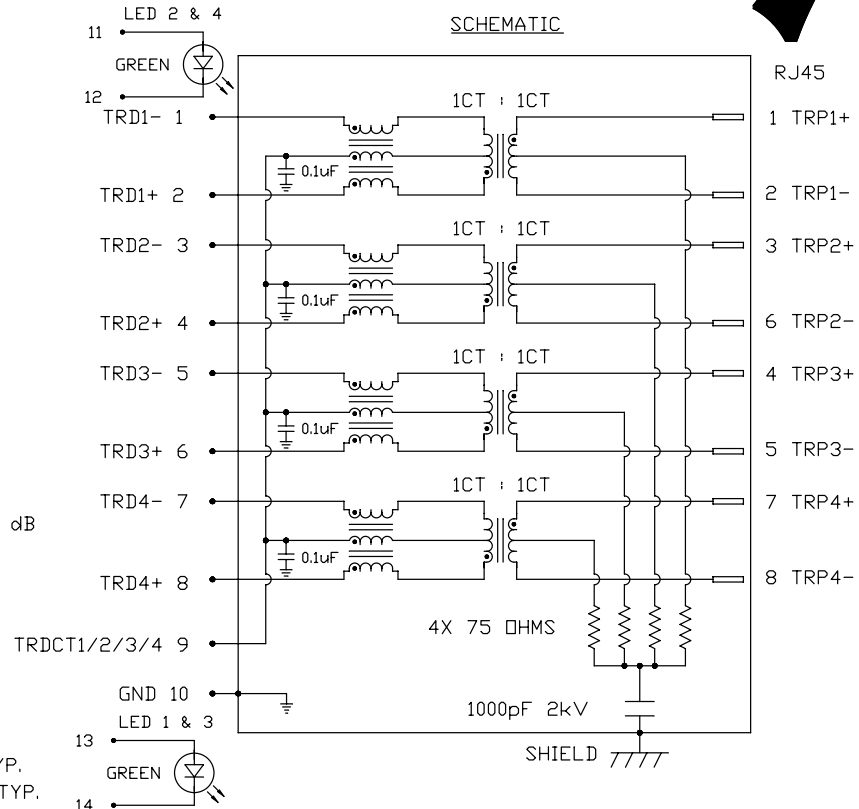


THE INFORMATION CONTAINED HEREIN IS CONSIDERED PROPRIETARY TO BEL FUSE INC. AND SHALL NOT BE COPIED, REPRODUCED OR DISCLOSED WITHOUT THE WRITTEN APPROVAL OF BEL FUSE INC.

LED 2 & 4 POLARITY			LED 1 & 3 POLARITY		
PIN 11	PIN 12	COLOR	PIN 13	PIN 14	COLOR
+	-	GREEN	+	-	GREEN

ELECTRICAL CHARACTERISTICS @ 25°C

URNS RATIO	
TP1	1CT : 1CT ±2%
TP2	1CT : 1CT ±2%
TP3	1CT : 1CT ±2%
TP4	1CT : 1CT ±2%
QCL @ 100kHz/100mVRMS	
8mA DC BIAS	350µH MIN.
INS. LOSS	
0.1MHz TO 1MHz	-1.1 dB MAX
1MHz TO 65MHz	-0.5 dB MAX
65MHz TO 100MHz	-0.8 dB MAX
100MHz TO 125MHz	-1.2 dB MAX
RET. LOSS (MIN)	
0.5MHz-40MHz	-18 dB
40MHz-100MHz	-12+20LOG(f/80MHz) dB
CM TO CM REJ	
100kHz - 100MHz	-30 dB MIN
CM TO DM REJ	
100kHz - 100MHz	-35 dB MIN
HIPOT (Isolation Voltage)	
	1500 Vrms
100% OF PRODUCTION TESTED TO COMPLY WITH IEEE 802.3 REQUIREMENTS	
LED 1,LED 2,LED 3 & LED 4	
V _F (FORWARD VOLTAGE)	IF=20mA GREEN 2.2V TYP.
λ _D (DOMINANT WAVELENGTH)	IF=20mA GREEN 565nm TYP.



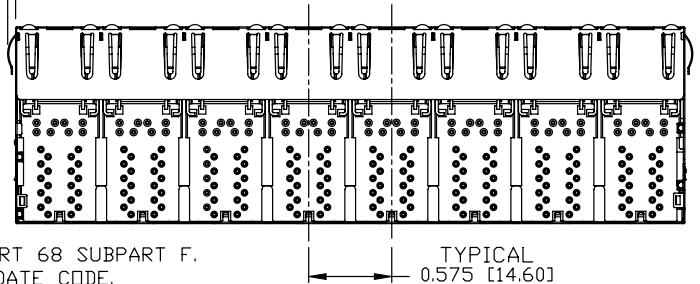
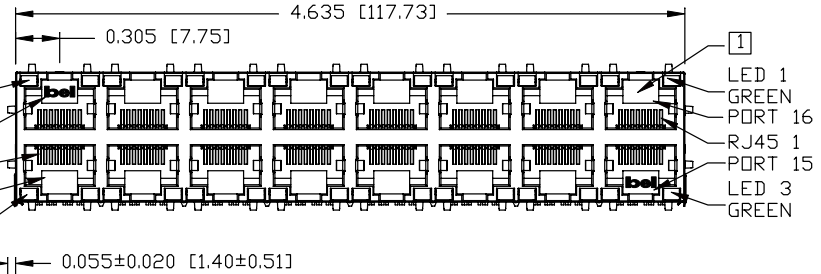
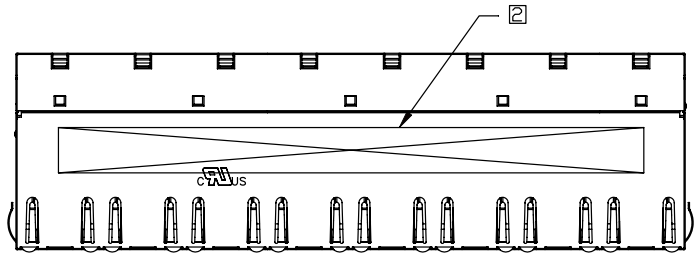
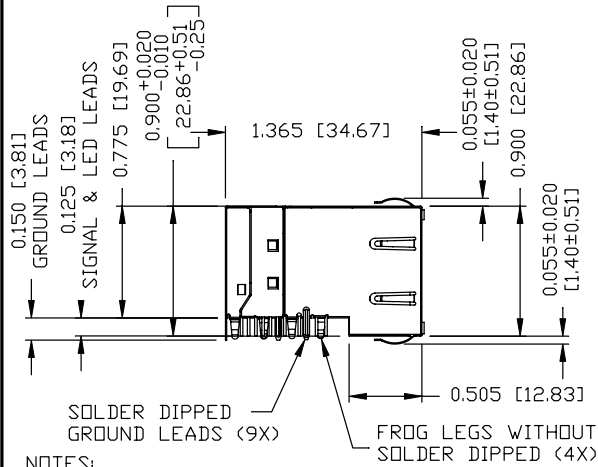
ORIGINATED BY WANCHUNG CHOW	DATE 01-12-09	TITLE 2X8 gigabit MagJack® COMPRESSOR SERIES (8 Cores)	PART NO. / DRAWING NO. C850-2G8R-54	STANDARD DIM. TOL. IN INCH .X .XX .XXX	[] METRIC DIM. AS REFERENCE UNIT : INCH [mm] SCALE : N/A	REV. : C SIZE : A4 PAGE : 2	
---------------------------------------	-------------------------	--	---	--	--	--	--

DC002(2)032305

This document is electronically generated. This is a controlled copy if used internally



THE INFORMATION CONTAINED HEREIN IS CONSIDERED 'PROPRIETARY' TO BEL FUSE INC. AND SHALL NOT BE COPIED, REPRODUCED OR DISCLOSED WITHOUT THE WRITTEN APPROVAL OF BEL FUSE INC.



- NOTES:**
 PLASTIC HOUSING: THERMOPLASTIC PBT
 FLAMMABILITY RATING UL 94V-0
 CONTACT PLATING: 30 MICRO-INCH HARD GOLD PLATING
 OUTPUT PINS: TIN-COATED COPPER WIRE, DIA 0.018 INCH.
 METAL SHIELD: NICKEL PLATED ON COPPER ALLOY.
 (ALL GROUND LEADS ARE SOLDER DIPPED)
 FROG LEGS ARE FOR PCB RETENTION FORCE ONLY AND NOT FOR GROUNDING PURPOSE

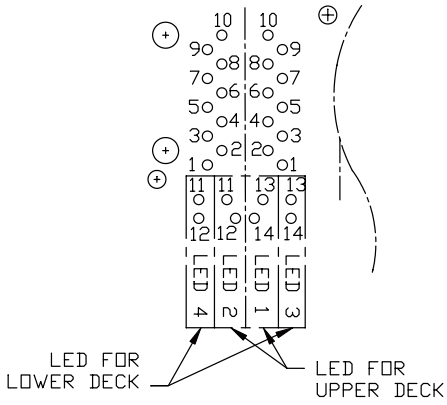
- 1] JACK CAVITY CONFORMS TO FCC RULES AND REGULATIONS, PART 68 SUBPART F.
 2] MARK PART WITH MFG LOGO, MFG NAME, PART NUMBER, AND DATE CODE.

UL US UL RECOGNIZED - FILE #E196366 AND E169987.
 RoHS COMPLIANCE, PER EU DIRECTIVE 2002/95/EC.

ORIGINATED BY	DATE	TITLE	PART NO. / DRAWING NO.	STANDARD DIM. TOL. IN INCH	[] METRIC DIM. AS REFERENCE	REV. : C	 COMPONENTS MANUFACTURED
HOWFAR WEI	01-12-09	2X8 gigabit MagJack® COMPRESSOR SERIES (8 Cores)	C850-2G8R-54	.X	UNIT : INCH [mm]	SIZE : A4	
DRAWN BY	DATE		FILE NAME	.XX	SCALE : N/A	PAGE : 3	
JOLLY LUD	01-12-09		C850-2G8R-54_C.DWG	.XXX ±0.010			



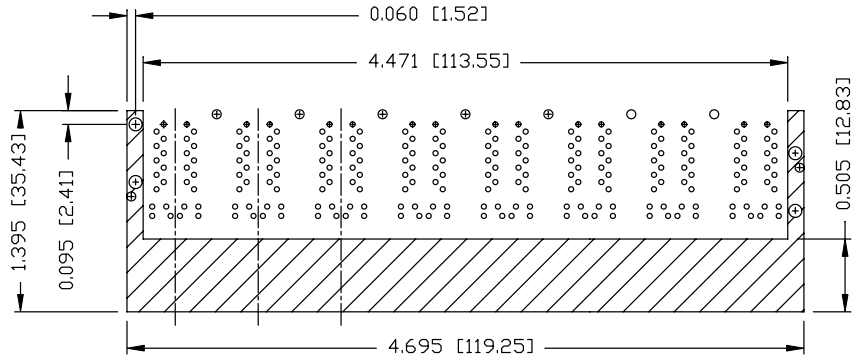
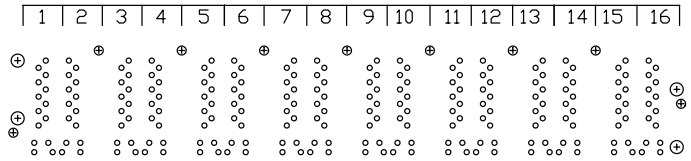
THE INFORMATION CONTAINED HEREIN IS CONSIDERED "PROPRIETARY" TO BEL FUSE INC. AND SHALL NOT BE COPIED, REPRODUCED OR DISCLOSED WITHOUT THE WRITTEN APPROVAL OF BEL FUSE INC.



PIN-OUT INFORMATION
(COMPONENT SIDE VIEW)

14	GREEN (-)
13	GREEN (+)
12	GREEN (-)
11	GREEN (+)
10	GND
9	TRDCT1/2/3/4
8	TRD 4+
7	TRD 4-
6	TRD 3+
5	TRD 3-
4	TRD 2+
3	TRD 2-
2	TRD 1+
1	TRD 1-

PORT ASSIGNMENT
(COMPONENT SIDE VIEW)

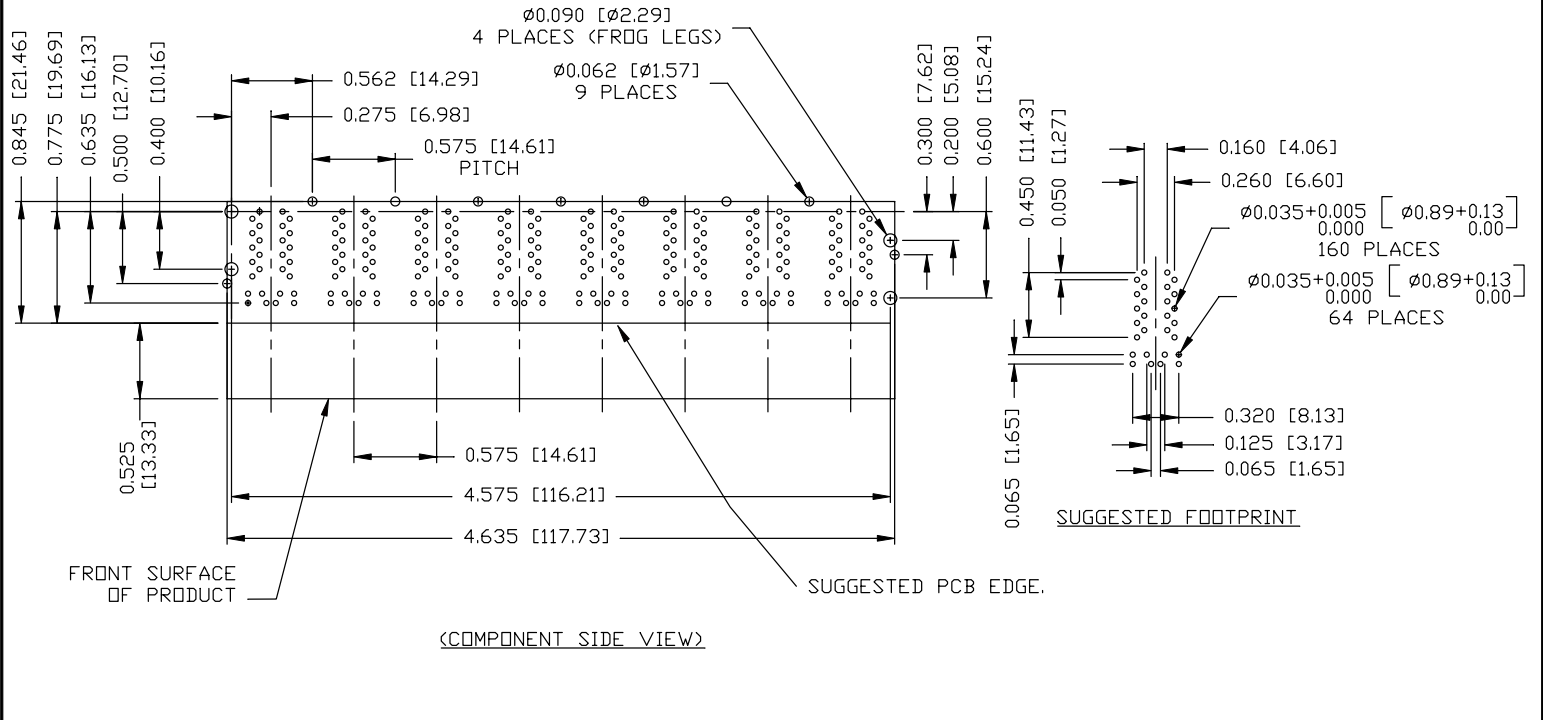


THE SHADED AREA ON THE CUSTOMER BOARD ARE RECOMMENDED TO BE CLEAR OFF ANY VIA HOLE OR COMPONENT PAD.

ORIGINATED BY HOWFAR WEI	DATE 01-12-09	TITLE 2X8 glgabit MagJack® COMPRESSOR SERIES (8 Cores)	PART NO. / DRAWING NO. C850-2G8R-54	STANDARD DIM. TOL. IN INCH	<input type="checkbox"/> METRIC DIM. AS REFERENCE	bel COMPONENTS MANUFACTURED
DRAWN BY JOLLY LUD	DATE 01-12-09		FILE NAME C850-2G8R-54_C.DWG	.X .XX .XXX	UNIT : INCH [mm] SCALE : N/A	
DC002(2)032305			This document is electronically generated. This is a controlled copy if used internally			



THE INFORMATION CONTAINED HEREIN IS CONSIDERED 'PROPRIETARY' TO BEL FUSE INC. AND SHALL NOT BE COPIED, REPRODUCED OR DISCLOSED WITHOUT THE WRITTEN APPROVAL OF BEL FUSE INC.

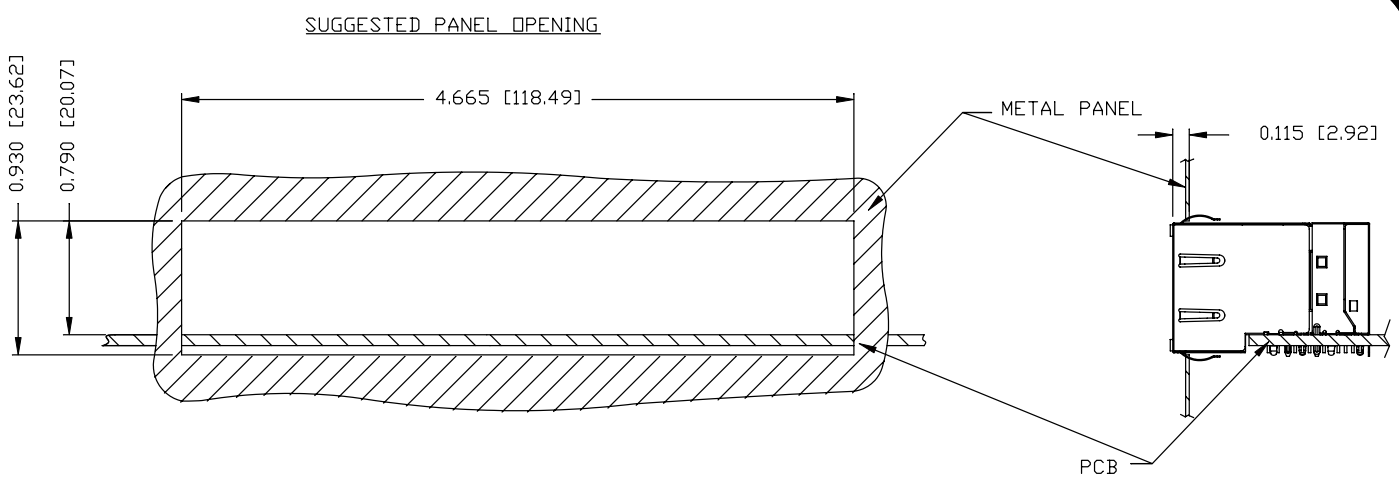


ORIGINATED BY HOWFAR WEI	DATE 01-12-09	TITLE 2X8 glgabit MagJack® COMPRESSOR SERIES (8 Cores)	PART NO. / DRAWING NO. C850-2G8R-54	STANDARD DIM. TOL. IN INCH	<input type="checkbox"/> METRIC DIM. AS REFERENCE	REV. : C	bel COMPONENTS MANUFACTURED
DRAWN BY JOLLY LUD	DATE 01-12-09		FILE NAME C850-2G8R-54_C.DWG	.X .XX .XXX ±0.004	UNIT : INCH [mm] SCALE : N/A		

DC002(2)032305

This document is electronically generated. This is a controlled copy if used internally

THE INFORMATION CONTAINED HEREIN IS CONSIDERED "PROPRIETARY" TO BEL FUSE INC. AND SHALL NOT BE COPIED, REPRODUCED OR DISCLOSED WITHOUT THE WRITTEN APPROVAL OF BEL FUSE INC.



NOTE:
 THE DISTANCE OF PANEL INSIDE SURFACE RELATIVE TO FRONT SURFACE OF PART IS ONLY A SUGGESTION. IN CASE THIS DISTANCE IS DIFFERENT, THE REQUIRED PANEL OPENING DIMENSIONS CHANGE ACCORDINGLY.

PACKING INFORMATION

PACKING TRAY : 0200-9999-K7 (TOP)
 0200-9999-K8 (BOTTOM)
 PACKING QUANTITY : 12 PCS FINISHED GOODS PER TRAY.
 6 TRAYS (72 PCS FINISHED GOODS) PER CARTON BOX.
 NOTE : CARDBOARDS ARE PLACED BETWEEN LAYERS OF PACKING TRAY INSIDE CARTON BOX.
 (INCLUDE THE UPPERMOST AND LOWERMOST TRAY)

ORIGINATED BY HOWFAR WEI	DATE 01-12-09	TITLE 2X8 gigabit MagJack® COMPRESSOR SERIES (8 Cores)	PART NO. / DRAWING NO. C850-2G8R-54	STANDARD DIM. TOL. IN INCH	[] METRIC DIM. AS REFERENCE	REV. : C	bel COMPONENTS MANUFACTURED
DRAWN BY JOLLY LUD	DATE 01-12-09		FILE NAME C850-2G8R-54_C.DWG	.X .XX .XXX ±0.004	UNIT : INCH [mm] SCALE : N/A		

DC002(2)032305

This document is electronically generated. This is a controlled copy if used internally