

Excellent Integrated System Limited

Stocking Distributor

Click to view price, real time Inventory, Delivery & Lifecycle Information:

[Bel Fuse Inc.](#)
[V891-1XX1-A1](#)

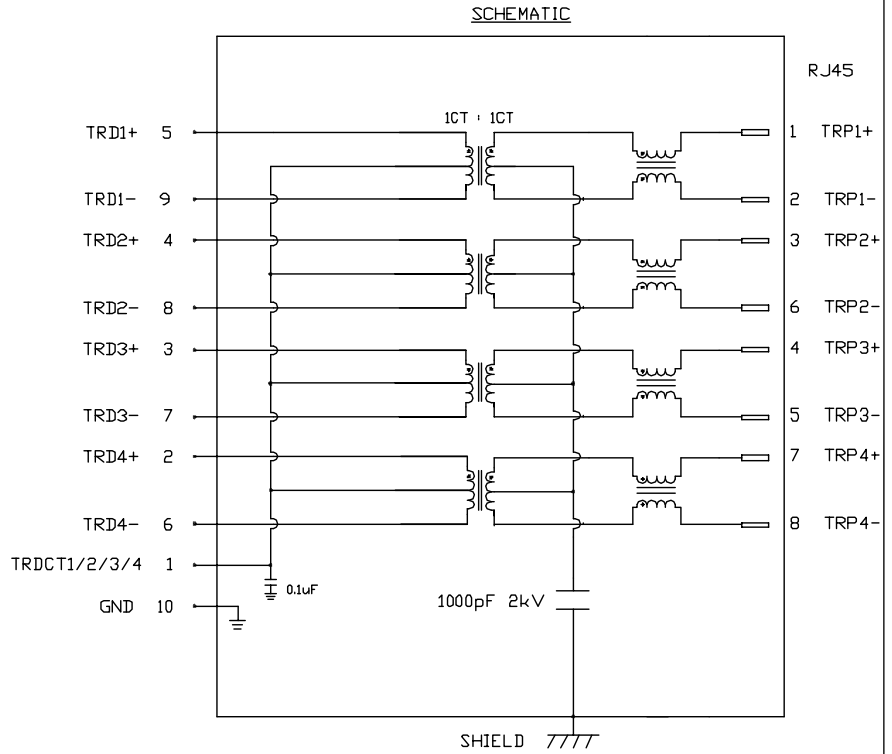
For any questions, you can email us directly:
sales@integrated-circuit.com

THE INFORMATION CONTAINED HEREIN IS CONSIDERED "PROPRIETARY" TO BEL FUSE INC. AND SHALL NOT BE COPIED, REPRODUCED OR DISCLOSED WITHOUT THE WRITTEN APPROVAL OF BEL FUSE INC.

PRELIMINARY

ELECTRICAL CHARACTERISTICS @ 25°C

URNS RATIO	
TP1	1CT : 1CT ±3%
TP2	1CT : 1CT ±3%
TP3	1CT : 1CT ±3%
TP4	1CT : 1CT ±3%
OCL @ 100kHz/100mVRMS	
8mA DC BIAS	350 μH MIN.
INS. LOSS	
1MHZ TO 100MHZ	-1.1 dB MAX
RET. LOSS (MIN)	
1MHZ-40MHZ	-18 dB
40MHZ-100MHZ	-12+20LOG(F/80MHZ) dB
CM TO CM REJ	
1MHZ - 100MHZ	-20 dB MIN
CROSSTALK (TX - RX)	
1MHZ - 30MHZ	-40 dB MIN
30MHZ - 60MHZ	-30 dB MIN
HIPOT (Isolation Voltage): 1500 Vrms	
100% OF PRODUCT TESTED IN PRODUCTION	

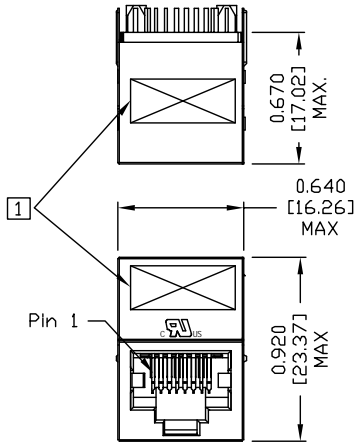
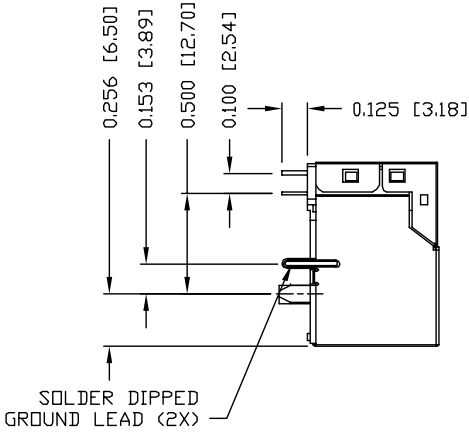


DRWN CHUN	DATE 09-28-04	TITLE gigabit MagJack™ (8 core, Vertical)	PART NO. / DRAWING NO. V891-1XX1-A1	STANDARD DIM.	<input type="checkbox"/> METRIC DIM. AS REFERENCE		
				TOL. IN INCH	UNIT : INCH [mm]	REV. : PA	
CHKD CHUNG	DATE 09-28-04		FILE NAME V8911XX1A1PA.DWG	.X	SCALE : N/A	SIZE : A4	
				.XX		PAGE : 2	
				.XXX			

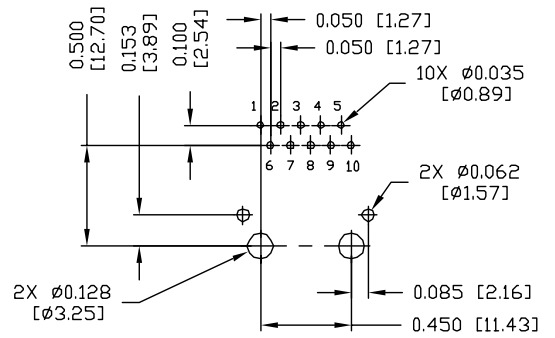
THE INFORMATION CONTAINED HEREIN IS CONSIDERED "PROPRIETARY" TO BEL FUSE INC. AND SHALL NOT BE COPIED, REPRODUCED OR DISCLOSED WITHOUT THE WRITTEN APPROVAL OF BEL FUSE INC.

PRELIMINARY

MECHANICAL SPECIFICATION



RECOMMENDED PCB FOOTPRINT COMPONENT SIDE VIEW



NOTES:

- PLASTIC HOUSING: THERMOPLASTIC PBT, FLAMMABILITY RATING UL 94V-0
- CONTACTS: 30 MICRO-INCH HARD GOLD PLATING
- OUTPUT PINS: TIN-COATED COPPER WIRE, DIA 0.018 INCH.
- METAL SHIELD: NICKEL PLATED ON COPPER ALLOY. (ALL GROUND LEADS ARE SOLDER DIPPED)
- ☐ MARK PART WITH MFG LOGO, MFG NAME, PART NUMBER, AND DATE CODE.
- RoHS COMPLIANCE, PER EU DIRECTIVE 2002/95/EC.

PACKING INFORMATION

- PACKING TRAY : 0200-9999-13(TOP)
0200-9999-14(BOTTOM)
- PACKING QUANTITY : 55 PCS FINISHED GOODS PER TRAY
9 TRAY (495 PCS FINISHED GOODS) PER CARTON BOX
- NOTE: CARDBOARDS ARE PLACED BETWEEN LAYERS OF PACKING TRAY INSIDE CARTON BOX (INCLUDE THE UPPERMOST AND LOWERMOST TRAY)

DRWN	DATE	TITLE
TAD	09-28-04	gigabit MagJack™ (8 core, Vertical)
CHKD	DATE	
KEUNG	09-28-04	

PART NO. / DRAWING NO.	FILE NAME
V891-1XX1-A1	V8911XX1A1PA.DWG

STANDARD DIM.	TOL. IN INCH	[] METRIC DIM. AS REFERENCE
.X		UNIT : INCH [mm]
.XX		SCALE : N/A
.XXX	±0.010	REV. : PA
		SIZE : A4
		PAGE : 3

UNIT : INCH [mm]	REV. : PA
SCALE : N/A	SIZE : A4
	PAGE : 3

