

## Excellent Integrated System Limited

Stocking Distributor

Click to view price, real time Inventory, Delivery & Lifecycle Information:

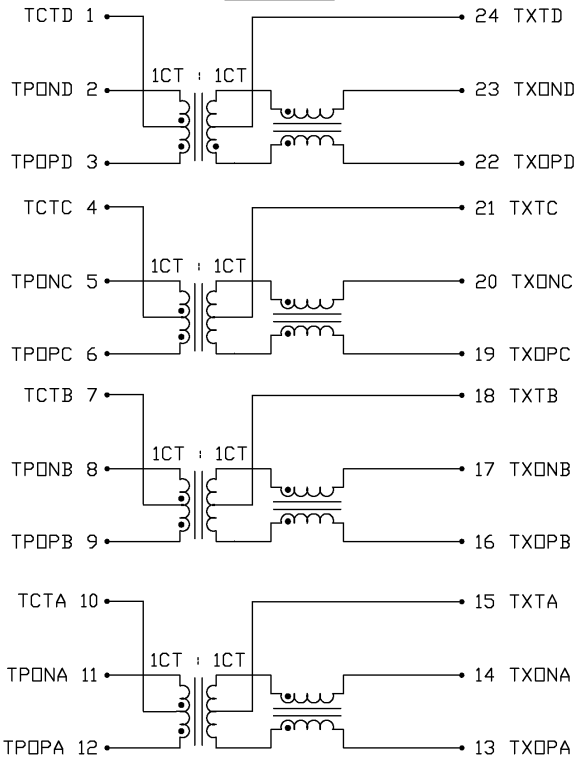
[Bel Fuse Inc.](#)  
[S558-5999-AR-F](#)

For any questions, you can email us directly:  
[sales@integrated-circuit.com](mailto:sales@integrated-circuit.com)



THE INFORMATION CONTAINED HEREIN IS CONSIDERED 'PROPRIETARY' TO BEL FUSE INC. AND SHALL NOT BE COPIED, REPRODUCED OR DISCLOSED WITHOUT THE WRITTEN APPROVAL OF BEL FUSE INC.

**SCHEMATIC**



**ELECTRICAL CHARACTERISTICS @ 25°C**

<b>URNS RATIO</b>	
(3-1-2) : (22-24-23)	1CT : 1CT
(6-4-5) : (19-21-20)	1CT : 1CT
(9-7-8) : (16-18-17)	1CT : 1CT
(12-10-11) : (13-15-14)	1CT : 1CT
<b>OCL</b>	350μH MIN. AT 100kHz, 100mV
-40°C TO +85°C	WITH 8mA DC BIAS
<b>INSERTION LOSS</b>	1.1dB MAX. @ 0.1 TO 1MHz
	0.5dB MAX. @ 1 TO 65MHz
	1.0dB MAX. @ 80MHz
	1.2dB MAX. @ 125MHz
<b>RETURN LOSS</b>	18dB MIN. @ 0.5 TO 40 MHz
UNDER 100 OHM	12-20LOG (f/80MHz) dB MIN.
±15% ENVIRONMENT	@ 40 TO 100MHz
<b>COMMON TO COMMON REJECTION</b>	30dB MIN. @ 0.1 TO 100MHz
<b>CROSS TALK</b>	33-20LOG (f/100MHz) dB MIN.
	@ 1 TO 100MHz
<b>HIPOT</b>	PER HAND-WORK-03

<b>ORIGINATED BY</b>	<b>DATE</b>	<b>TITLE</b>	<b>PART NO. / DRAWING NO.</b>	<b>STANDARD DIM. TOL. IN INCH</b>	<input type="checkbox"/> METRIC DIM. AS REFERENCE
HQ	08-17-06	ELECTRICAL SPECIFICATION S558-5999-AR-F	X5585999AR-F	.X	UNIT : INCH [mm] REV. : A
<b>DRAWN BY</b>	<b>DATE</b>		<b>FILE NAME</b>	.XX	SCALE : N/A SIZE : A4
DQ Chen	08-17-06		X5585999ARFA.DWG	.XXX	PAGE : 2

DC002(2)032305

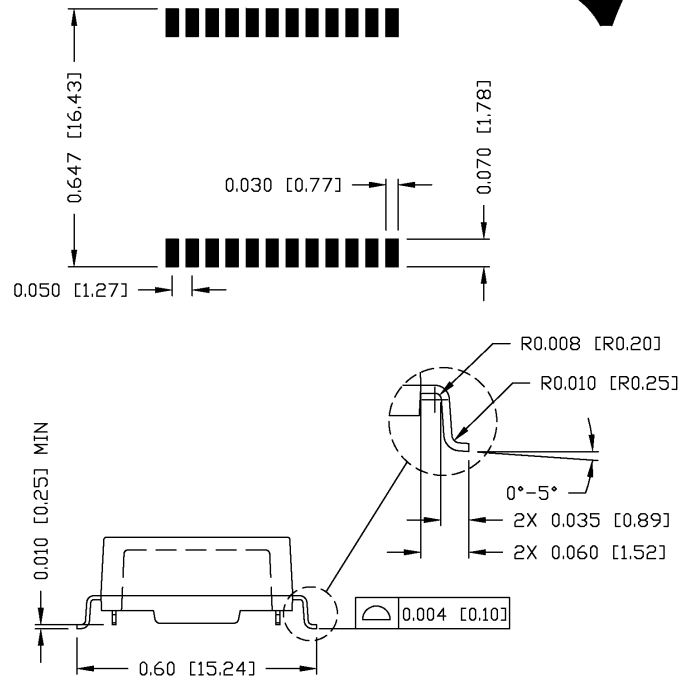
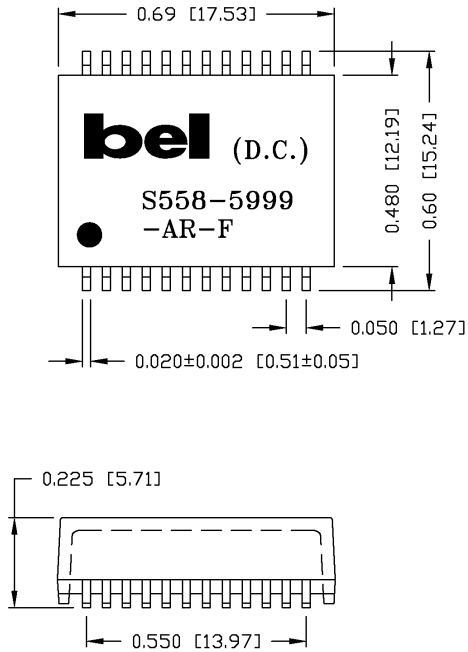
This document is electronically generated. This is a controlled copy if used internally



THE INFORMATION CONTAINED HEREIN IS CONSIDERED "PROPRIETARY" TO BEL FUSE INC. AND SHALL NOT BE COPIED, REPRODUCED OR DISCLOSED WITHOUT THE WRITTEN APPROVAL OF BEL FUSE INC.



SUGGESTED PCB PAD LAYOUT



NOTES:

- STANDARD MARKING REFER TO DOC. HAND-WORK-04.
- PACKAGE CODE: "RQS001".

ORIGINATED BY	DATE	TITLE MECHANICAL DRAWING S558-5999-AR-F	PART NO. / DRAWING NO.	STANDARD DIM.	[ ] METRIC DIM. AS REFERENCE	 COMPONENTS OF A CONNECTED PLANET	
Lawrence	08-17-06		X5585999AR-F	TOL. IN INCH	UNIT : INCH [mm]		REV. : A
DRAWN BY	DATE		FILE NAME	.X	SCALE : N/A		SIZE : A4
DQ Chen	08-17-06	X5585999ARFA.DWG	.XX	±0.01	PAGE : 3		
			.XXX	±0.005			

DC002/21032305

This document is electronically generated. This is a controlled copy if used internally