

Excellent Integrated System Limited

Stocking Distributor

Click to view price, real time Inventory, Delivery & Lifecycle Information:

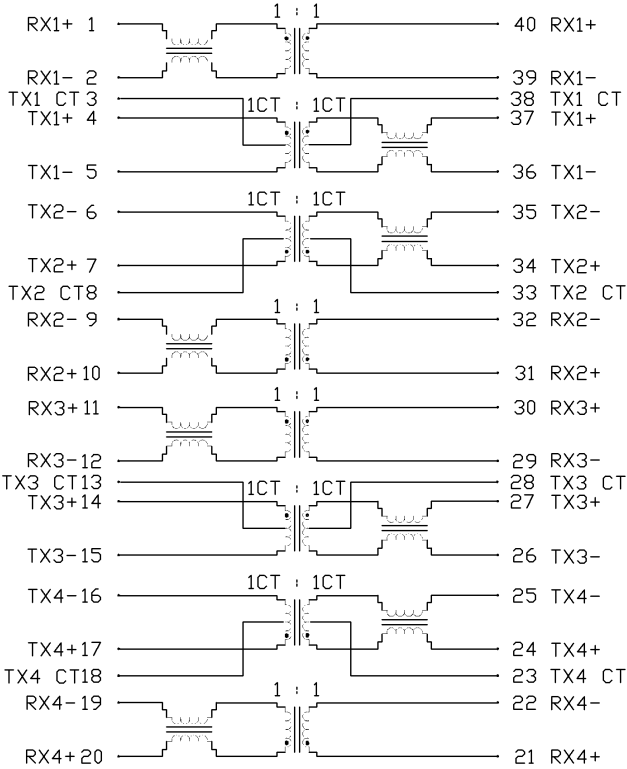
[Bel Fuse Inc.](#)
[S558-5999B47-F](#)

For any questions, you can email us directly:
sales@integrated-circuit.com



THE INFORMATION CONTAINED HEREIN IS CONSIDERED "PROPRIETARY" TO BEL FUSE INC. AND SHALL NOT BE COPIED, REPRODUCED OR DISCLOSED WITHOUT THE WRITTEN APPROVAL OF BEL FUSE INC.

SCHEMATIC



ELECTRICAL CHARACTERISTICS @ 25°C

TURNS RATIO Tx Rx	1CT : 1CT 1 : 1
POLARITY	PER DOT CONVENTION
DCL	350µH MIN @100kHz, 100mV WITH 8mA DC BIAS
INSERTION LOSS	1.0dB MAX @300kHz TO 80MHz
RETURN LOSS MEASURED UNDER 100Ω ENVIRONMENT	18.0dB MIN @1MHz TO 30MHz 13.5dB MIN @30MHz TO 60MHz 12.0dB MIN @60MHz TO 80MHz
COMMON TO DIFFERENTIAL MODE REJECTION	40dB MIN @0.3MHz TO 100MHz
COMMON TO COMMON MODE REJECTION	35dB MIN @0.3MHz TO 100MHz
CROSSTALK	35dB MIN @0.3MHz TO 100MHz
HIPOT	PER HAND-WORK-03
OPERATING TEMPERATURE	0°C TO 70°C

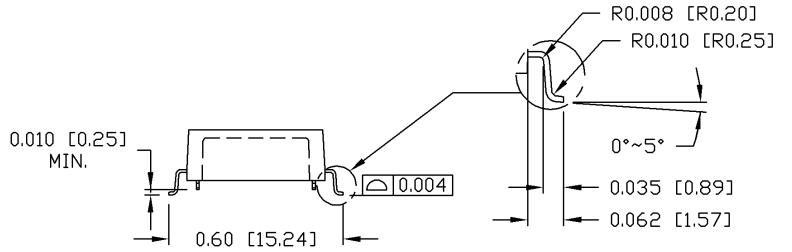
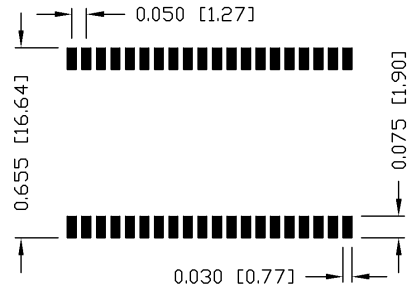
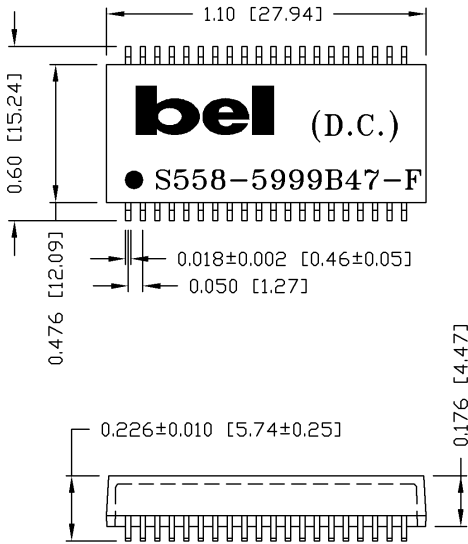
ORIGINATED BY	DATE	TITLE	PART NO. / DRAWING NO.	STANDARD DIM. TOL. IN INCH	[] METRIC DIM. AS REFERENCE	 COMPONENTS ON A CONNECTED PLANET
CHAN CH	06-04-08	ELECTRICAL SPECIFICATION S558-5999B47-F	X5585999B47F	.X	UNIT : INCH [mm] REV. : A	
DRAWN BY	DATE		FILE NAME	.XX	SCALE : N/A SIZE : A4	
YH Lai	06-04-08		X5585999B47FA.DWG	.XXX	PAGE : 2	

DC002(2)032305 This document is electronically generated. This is a controlled copy if used internally



THE INFORMATION CONTAINED HEREIN IS CONSIDERED "PROPRIETARY" TO BEL FUSE INC. AND SHALL NOT BE COPIED, REPRODUCED OR DISCLOSED WITHOUT THE WRITTEN APPROVAL OF BEL FUSE INC.

SUGGESTED PCB PAD LAYOUT



NOTES:

- STANDARD MARKING REFER TO DOC. HAND-WORK-04.
- PACKAGE CODE: "RRS001".

ORIGINATED BY	DATE	TITLE	PART NO. / DRAWING NO.	STANDARD DIM.	[] METRIC DIM. AS REFERENCE	 COMPONENTS ON A CONNECTED PLANET
CHAN CH	06-04-08	MECHANICAL OUTLINE S558-5999B47-F	X5585999B47F	TOL. IN INCH	UNIT : INCH [mm] REV. : A	
DRAWN BY	DATE		FILE NAME	.X	SCALE : N/A SIZE : A4	
YH Lai	06-04-08	X5585999B47FA.DWG	.XX ±0.01	⊕	PAGE : 3	
			.XXX ±0.005			