

Excellent Integrated System Limited

Stocking Distributor

Click to view price, real time Inventory, Delivery & Lifecycle Information:

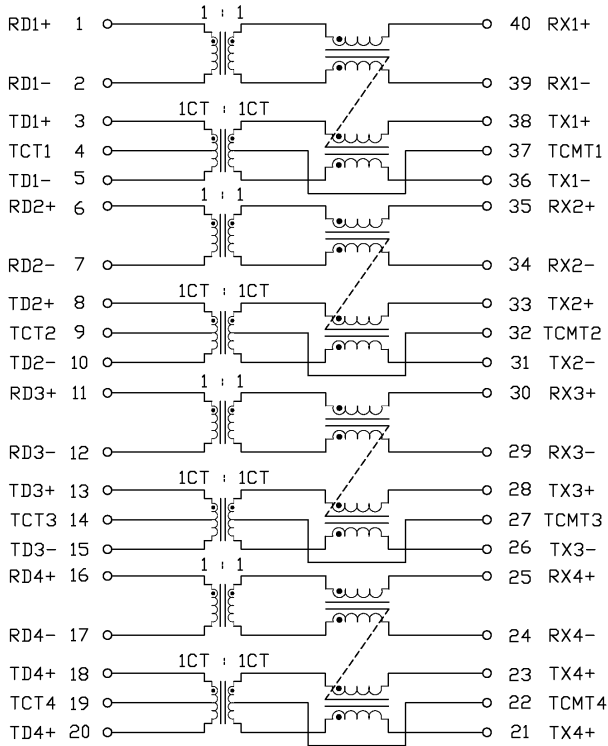
[Bel Fuse Inc.](#)
[S558-5999-C0-F](#)

For any questions, you can email us directly:
sales@integrated-circuit.com



THE INFORMATION CONTAINED HEREIN IS CONSIDERED "PROPRIETARY" TO BEL FUSE INC. AND SHALL NOT BE COPIED, REPRODUCED OR DISCLOSED WITHOUT THE WRITTEN APPROVAL OF BEL FUSE INC.

SCHMATIC



ELECTRICAL CHARACTERISTICS @ 25°C

URNS RATIO	
RX	1 : 1
TX	1CT : 1CT
PHASE	PER DOT CONVENTION
QCL	350μH MIN. @ 100kHz, 100mV WITH 8mA DC BIAS
INSERTION LOSS	1.0dB MAX. @ 100kHz TO 80MHz
RETURN LOSS	20dB MIN. AT 2 TO 10MHz
MEASURED UNDER 100Ω ENVIRONMENT	18dB MIN. AT 30MHz 15dB MIN. AT 45MHz 12dB MIN. AT 60MHz 10dB MIN. AT 80MHz
COMMON TO DIFFERENTIAL MODE REJECTION	40dB MIN. AT 100kHz TO 100MHz
COMMON TO COMMON MODE REJECTION	30dB MIN. AT 100kHz TO 100MHz
CROSSTALK	35dB MIN. AT 100kHz TO 100MHz
LEAKAGE INDUCTANCE	@ 1MHz, 20mV
Rx	200nH MAX. @ 1MHz, 20mV
Tx	300nH MAX. @ 1MHz, 20mV
HIPOT	PER HAND-WORK-03

ORIGINATED BY	DATE	TITLE	PART NO. / DRAWING NO.	STANDARD DIM. TOL. IN INCH	[] METRIC DIM. AS REFERENCE
HO	08-24-06	ELECTRICAL SPECIFICATION	X5585999C0-F	.X	UNIT : INCH [mm] REV. : A
DRAWN BY	DATE		FILE NAME	.XX	SCALE : N/A SIZE : A4
DQ Chen	08-24-06	S558-5999-C0-F	X5585999C0FA.DWG	.XXX	PAGE : 2

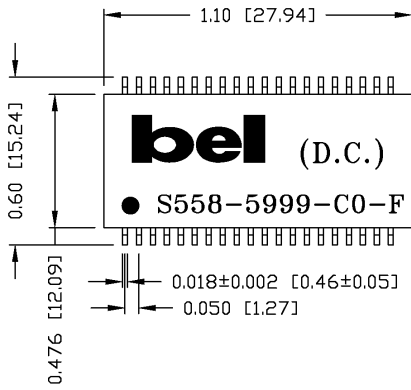
DC002(2)032305

This document is electronically generated. This is a controlled copy if used internally

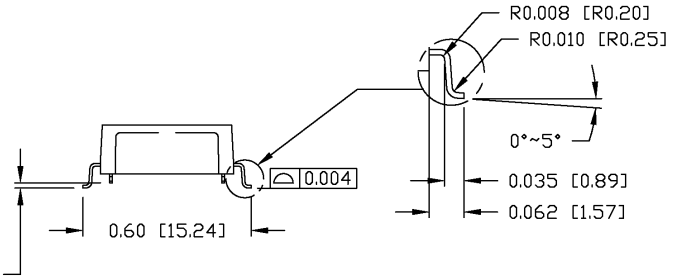
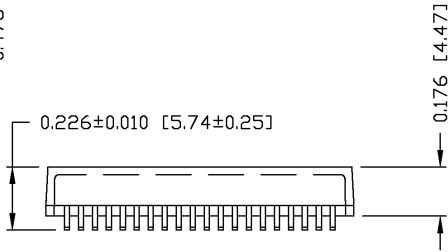
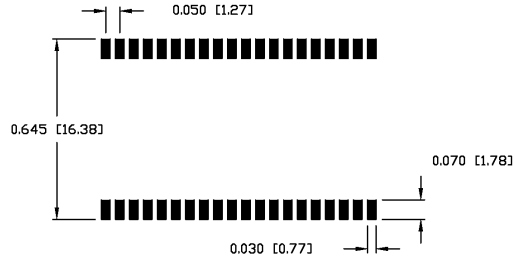




THE INFORMATION CONTAINED HEREIN IS CONSIDERED "PROPRIETARY" TO BEL FUSE INC. AND SHALL NOT BE COPIED, REPRODUCED OR DISCLOSED WITHOUT THE WRITTEN APPROVAL OF BEL FUSE INC.



SUGGESTED PCB PAD LAYOUT



NOTES:

- STANDARD MARKING REFER TO DOC. HAND-WORK-04.
- PACKAGE CODE: "RRS001".

ORIGINATED BY Lawrence	DATE 08-24-06	TITLE MECHANICAL OUTLINE	PART NO. / DRAWING NO. X5585999C0-F	STANDARD DIM. TOL. IN INCH	<input type="checkbox"/> METRIC DIM. AS REFERENCE
DRAWN BY DQ Chen	DATE 08-24-06		FILE NAME X5585999C0FA.DWG	.X .XX .XXX	UNIT : INCH [mm] SCALE : N/A

DC002(2)032305

This document is electronically generated. This is a controlled copy if used internally

