

Excellent Integrated System Limited

Stocking Distributor

Click to view price, real time Inventory, Delivery & Lifecycle Information:

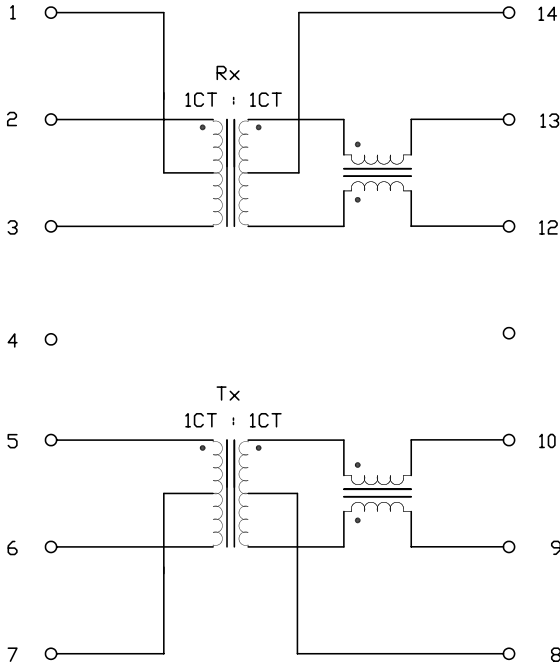
[Bel Fuse Inc.](#)
[S558-5999-L5-F](#)

For any questions, you can email us directly:
sales@integrated-circuit.com



THE INFORMATION CONTAINED HEREIN IS CONSIDERED "PROPRIETARY" TO BEL FUSE INC. AND SHALL NOT BE COPIED, REPRODUCED OR DISCLOSED WITHOUT THE WRITTEN APPROVAL OF BEL FUSE INC.

SCHEMATIC



ELECTRICAL CHARACTERISTICS @ 25°C

TURNS RATIO (2-1-3) : (13-14-12) (5-7-6) : (10-8-9)	1CT : 1CT 1CT : 1CT
POLARITY OCL	PER DOT CONVENTION 350μH MIN @100kHz, 100mV WITH 8mA DC BIAS
INSERTION LOSS RETURN LOSS MEASURED UNDER 100Ω I/O	0.9dB MAX @300kHz-100MHz 18dB MIN @30MHz 13dB MIN @60MHz 11dB MIN @80MHz
COMMON MODE REJECTION RATIO	40dB MIN @30MHz 35dB MIN @50MHz 30dB MIN @100MHz 20dB MIN @150MHz
CROSSTALK	50dB MIN @30MHz 45dB MIN @62MHz 40dB MIN @100MHz
HIPOT	PER HAND-WORK-03

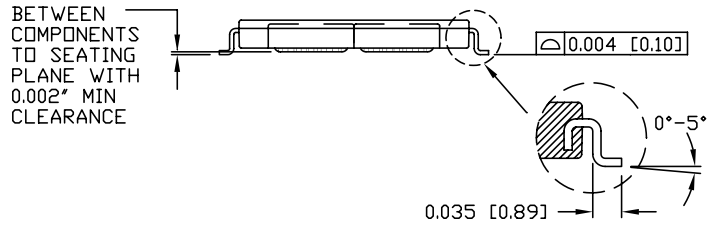
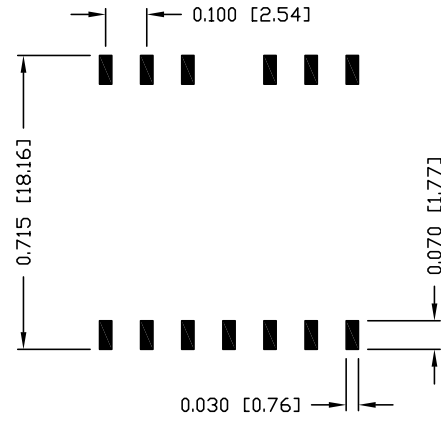
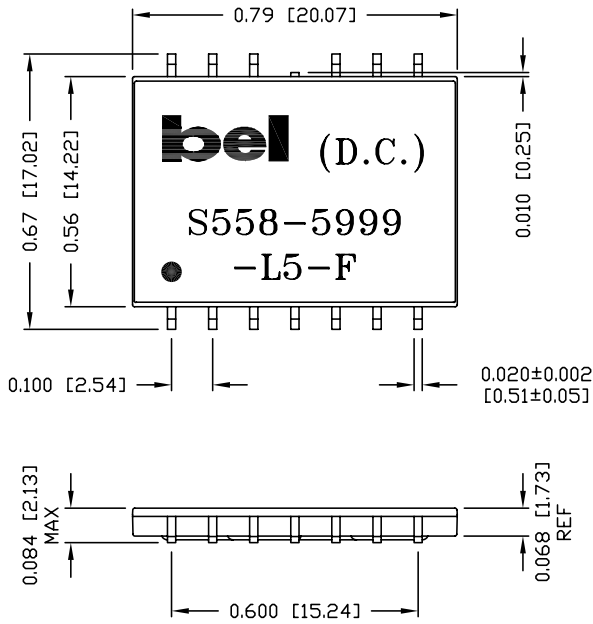
ORIGINATED BY	DATE	TITLE	PART NO. / DRAWING NO.	STANDARD DIM. TOL. IN INCH	[] METRIC DIM. AS REFERENCE
CH CHAN	01-14-11	ELECTRICAL SPECIFICATION S558-5999-L5-F	X5585999L5-F	.X	UNIT : INCH [mm] REV. : A
DRAWN BY	DATE		FILE NAME	.XX	SCALE : N/A SIZE : A4
HY ZHANG	01-14-11		X5585999L5FA.DWG	.XXX	PAGE : 2



THE INFORMATION CONTAINED HEREIN IS CONSIDERED "PROPRIETARY" TO BEL FUSE INC. AND SHALL NOT BE COPIED, REPRODUCED OR DISCLOSED WITHOUT THE WRITTEN APPROVAL OF BEL FUSE INC.



SUGGESTED PCB PAD LAYOUT



NOTES:

- STANDARD MARKING REFER TO DDC. HAND-WORK-04.
- PACKAGE CODE: "QJS006".

ORIGINATED BY	DATE	TITLE	PART NO. / DRAWING NO.	STANDARD DIM. TOL. IN INCH	[] METRIC DIM. AS REFERENCE
LAWRENCE TSANG	01-14-11	MECHANICAL OUTLINE S558-5999-L5-F	X5585999L5-F	.X	UNIT : INCH [mm] REV. : A
DRAWN BY	DATE		FILE NAME	.XX ±0.01	SCALE : N/A SIZE : A4
HY ZHANG	01-14-11		X5585999L5FA.DWG	.XXX ±0.005	PAGE : 3

