

Excellent Integrated System Limited

Stocking Distributor

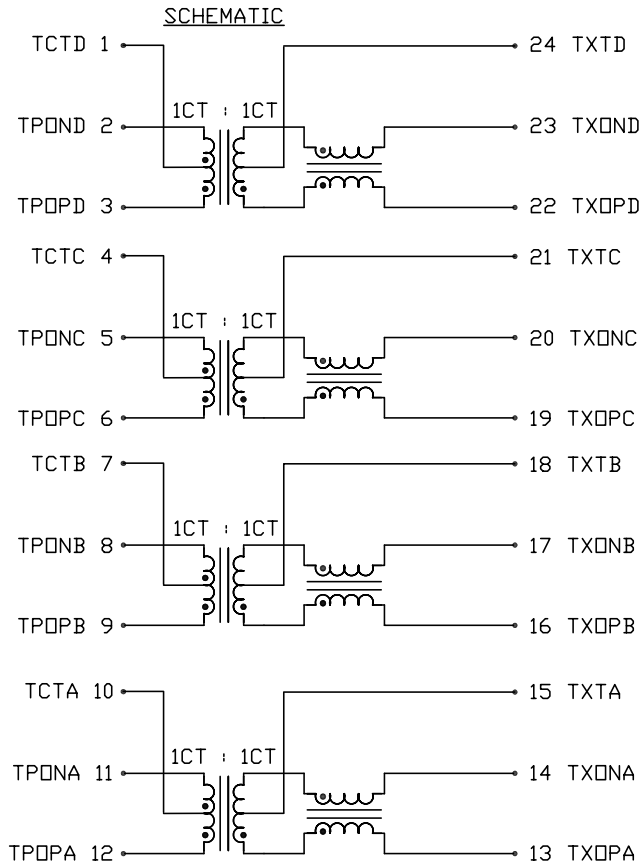
Click to view price, real time Inventory, Delivery & Lifecycle Information:

[Bel Fuse Inc.](#)
[S558-5999-T4-F](#)

For any questions, you can email us directly:
sales@integrated-circuit.com

THE INFORMATION CONTAINED HEREIN IS CONSIDERED
 'PROPRIETARY' TO 'BEL FUSE' INC. AND SHALL NOT BE
 COPIED, REPRODUCED OR DISCLOSED WITHOUT THE
 WRITTEN APPROVAL OF BEL FUSE INC.

ELECTRICAL CHARACTERISTICS @ 25°C



URNS RATIO

(3-1-2) : (22-24-23)
 (6-4-5) : (19-21-20)
 (9-7-8) : (16-18-17)
 (12-10-11) : (13-15-14)

1CT : 1CT
 1CT : 1CT
 1CT : 1CT
 1CT : 1CT

QCL

350µH MIN. AT 100kHz,
 WITH 8mA DC BIAS @25°C

INSERTION LOSS

1.1dB MAX. @ 0.1 TO 1MHz
 0.5dB MAX. @ 1 TO 65MHz
 1.0dB MAX. @ 80MHz
 1.2dB MAX. @ 125MHz

RETURN LOSS

UNDER 100 OHM
 ±15% ENVIRONMENT

18dB MIN. @ 0.5 TO 40
 12-20LOG (F/80MHz) MIN
 @ 40 TO 100 MHz

COMMON TO COMMON REJECTION

30dB MIN. @ 0.1 TO 100

CROSSTALK

33-20 LOG (F/100 MHz)
 @ 1 TO 100 MHz

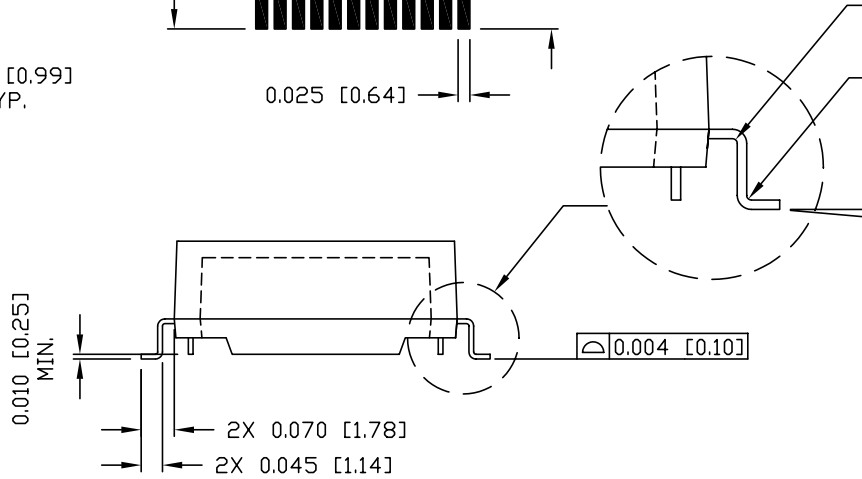
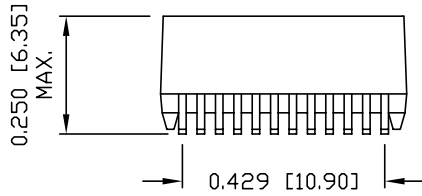
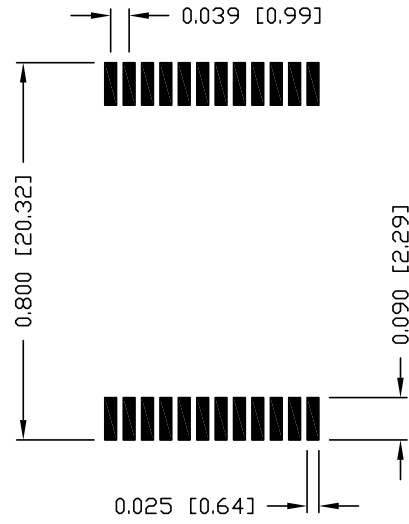
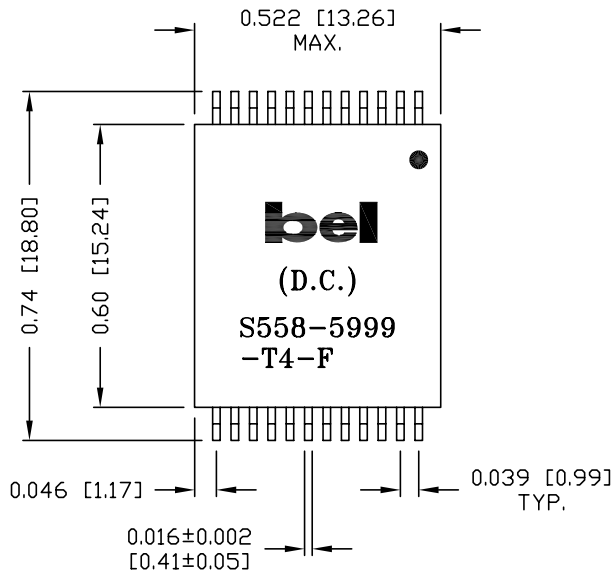
HIPOT

PER HAND-WORK-03

ORIGINATED BY	DATE	TITLE	PART NO. / DRAWING NO.	STANDARD DIM.	[] METRIC DIM. AS REFERENCE
HQ	09-20-05	GIGABIT ETHERNET MAGNETICS	X5585999T4-F	TOL. IN INCH	UNIT : INCH [mm]
DRAWN BY	DATE	S558-5999-T4-F	FILE NAME	.X	SCALE : N/A
DQ Chen	09-20-05		X5585999T4FA.DWG	.XX	SIZE : A4
				.XXX	PAGE : 2

THE INFORMATION CONTAINED HEREIN IS CONSIDERED PROPRIETARY TO BEL FUSE INC. AND SHALL NOT BE COPIED, REPRODUCED OR DISCLOSED WITHOUT THE WRITTEN APPROVAL OF BEL FUSE INC.

SUGGESTED PCB PAD LAYOUT



NOTES:

- STANDARD MARKING REFER TO DOC. HAND-WORK-04.
- PACKAGE CODE: "QTS001".

ORIGINATED BY	DATE	TITLE	PART NO. / DRAWING NO.	STANDARD DIM. TOL. IN INCH	[] METRIC DIM. AS REFERENCE
HQ	09-20-05	MECHANICAL DRAWING S558-5999-T4-F	X5585999T4-F	.X	UNIT : INCH [mm]
DRAWN BY	DATE		FILE NAME	.XX	SCALE : N/A
DQ Chen	09-20-05		X5585999T4FA.DWG	.XXX	SIZE :
					PAGE :

DC002(2)032305

This document is electronically generated. This is a controlled copy if used internally