

Excellent Integrated System Limited

Stocking Distributor

Click to view price, real time Inventory, Delivery & Lifecycle Information:

[Bel Fuse Inc.](#)
[S558-5999-U5-F](#)

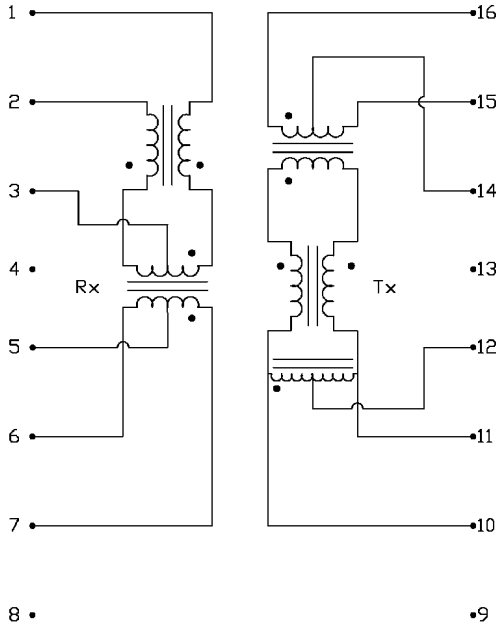
For any questions, you can email us directly:
sales@integrated-circuit.com

THE INFORMATION CONTAINED HEREIN IS CONSIDERED 'PROPRIETARY' TO BEL FUSE INC. AND SHALL NOT BE COPIED, REPRODUCED OR DISCLOSED WITHOUT THE WRITTEN APPROVAL OF BEL FUSE INC.



ELECTRICAL CHARACTERISTICS @ 25°C

SCHEMATIC



TURNS RATIO 1CT : 1CT
 Rx (1-3-2) : (7-5-6)
 Tx (16-14-15) : (10-12-11)

 PHASING 1 TO 7 AND 16 TO 10 IN PHASE

 OCL (-40°C TO +85°C) 350µH MIN
 (7-6) OPEN 1-2 AT 100kHz 100mVrms
 (10-11) OPEN 16-15 WITH 8mA DC BIAS

 INSERTION LOSS 1.0dB MAX
 AT 100kHz TO 80MHz

 RETURN LOSS MEASURED UNDER 100 Ω
 ENVIRONMENT (16-15) TO (10-11)
 (7-6) TO (1-2)

 RETURN LOSS MEASURED UNDER 25 AND 100 Ω
 IMPEDANCE ENVIRONMENT ACROSS
 (16-14) AND (10-11)
 RESPECTIVELY

 CMDR 40dB MIN AT 100kHz TO 50MHz
 30dB MIN ABOVE 50M TO 100MHz

 CROSSTALK 30dB MIN AT 100kHz TO 100MHz

 HIPOT PER HAND-WORK-03

FREQ(MHz)	2	10	30	45	60	80
dB MIN	20	20	19	16	13	12

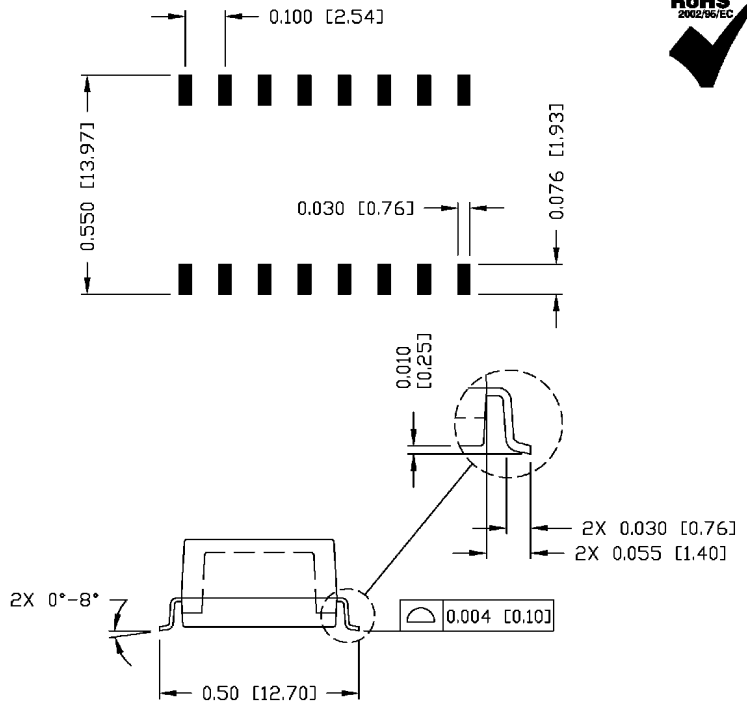
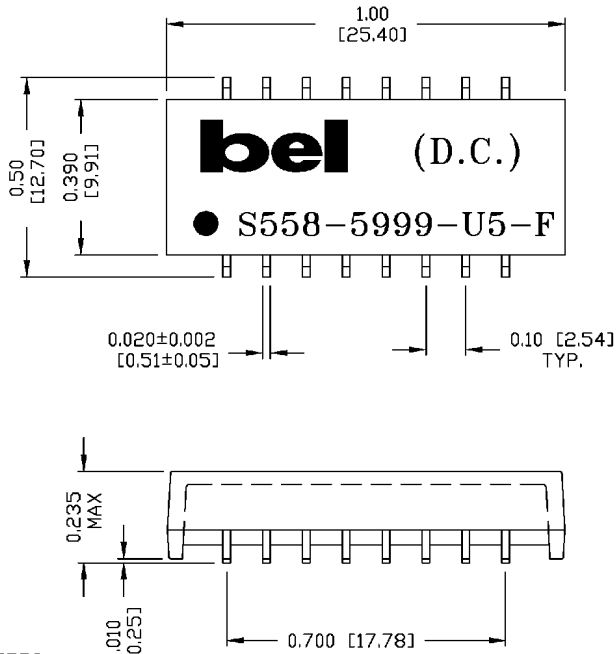
ORIGINATED BY	DATE	TITLE	PART NO. / DRAWING NO.	STANDARD DIM.	[] METRIC DIM. AS REFERENCE	 <small>COMPONENTS OF A CONNECTED PLANET</small>	
HO	02-22-06	10/100BT MAGNETICS MODULE	X5585999U5-F	TOL. IN INCH	UNIT : INCH [mm]		REV. : A
DRAWN BY	DATE	S558-5999-U5-F	FILE NAME	.X	SCALE : N/A		SIZE : A4
DQ Chen	02-22-06		X5585999U5FA.DWG	.XX			PAGE : 2

DC002(2)032305

This document is electronically generated. This is a controlled copy if used internally

THE INFORMATION CONTAINED HEREIN IS CONSIDERED "PROPRIETARY" TO BEL FUSE INC. AND SHALL NOT BE COPIED, REPRODUCED OR DISCLOSED WITHOUT THE WRITTEN APPROVAL OF BEL FUSE INC.

SUGGESTED PCB PAD LAYOUT



- NOTES:
 1. STANDARD MARKING REFER TO DOC. HAND-WORK-04.
 2. PACKAGE CODE: "RNS001".

ORIGINATED BY	DATE	TITLE	PART NO. / DRAWING NO.	STANDARD DIM.	[] METRIC DIM. AS REFERENCE	 COMPONENTS OF A CONNECTED PLANET	
HO	02-22-06	MECHANICAL DRAWING S558-5999-U5-F	X5585999U5-F	TOL. IN INCH	UNIT : INCH [mm]		REV. : A
DRAWN BY	DATE		FILE NAME	.X ±0.01	SCALE : N/A		SIZE : A4
DQ Chen	02-22-06	X5585999U5FA.DWG	.XX ±0.005	XXX ±0.005	PAGE : 3		

DC002(2)032305

This document is electronically generated. This is a controlled copy if used internally