

## **Excellent Integrated System Limited**

Stocking Distributor

Click to view price, real time Inventory, Delivery & Lifecycle Information:

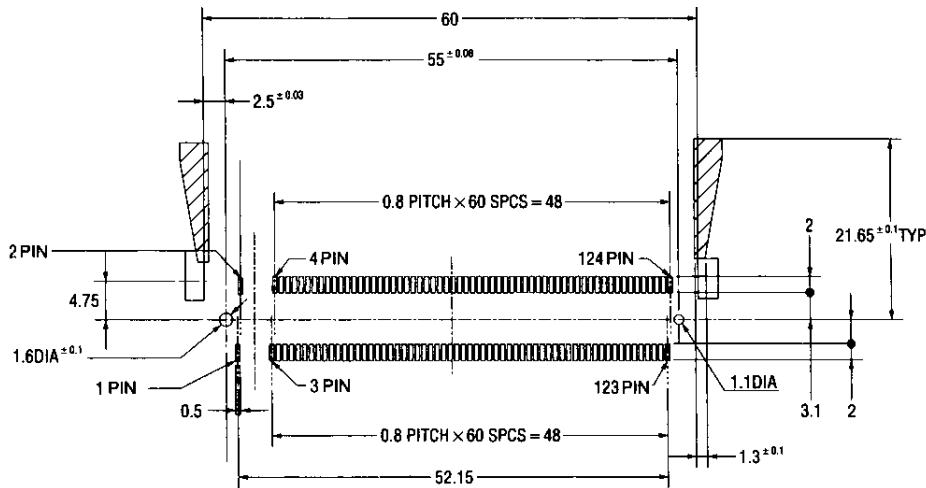
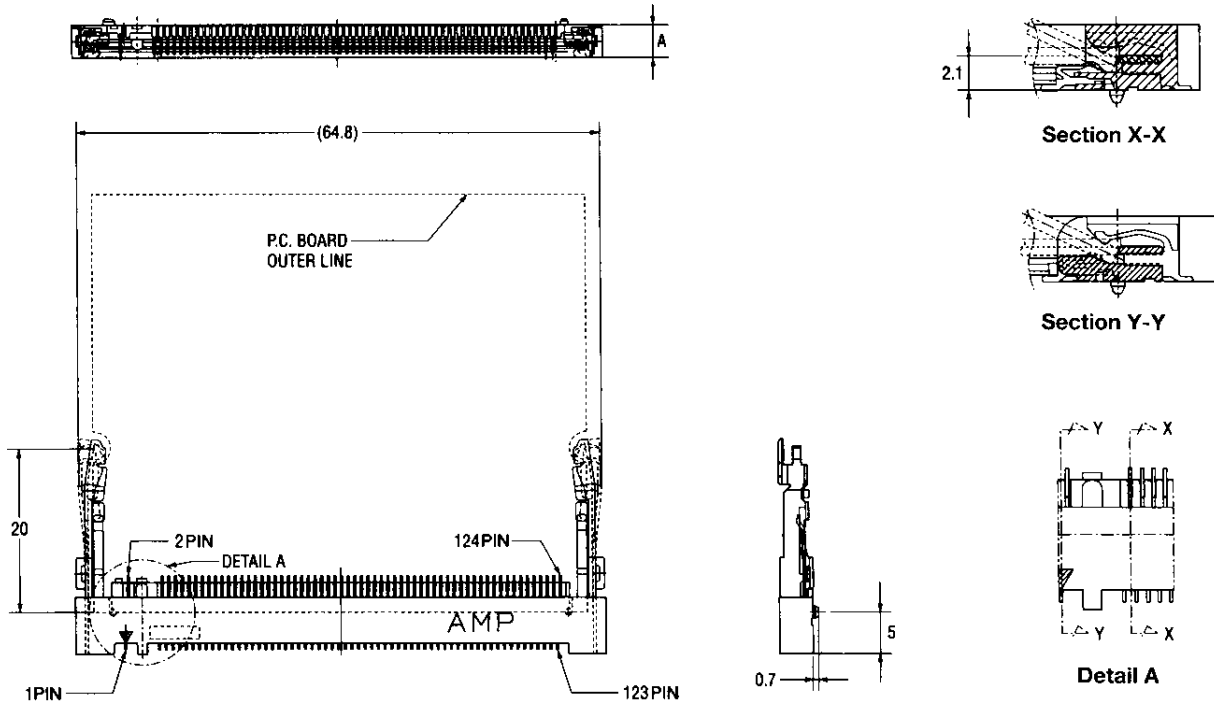
[TE Connectivity AMP Connectors](#)  
[1318228-1](#)

For any questions, you can email us directly:

[sales@integrated-circuit.com](mailto:sales@integrated-circuit.com)

**Sockets**  
**Mini PCI Socket**

2



**PC Board Layout**

No. of Pos.	Dimension A	P/N of Semi-hard Tray Packaged (Qty.)	P/N (Emboss tape mounted) (Qty.)
124	4.0	1318228-1 (20)	1318644-1 (270)
124	5.2	1318916-1 (20)	—