

## Excellent Integrated System Limited

Stocking Distributor

Click to view price, real time Inventory, Delivery & Lifecycle Information:

[On-Shore Technology, Inc.](#)

[OSTOQ06A551](#)

For any questions, you can email us directly:


[sales@integrated-circuit.com](mailto:sales@integrated-circuit.com)

SIGN	DATE	DESCRIPTION	APPROVER
THIS IS CAD DRAWING, DO NOT REVISE MANUALLY!!!			

**Material**

- Terminal body
- (contact pin): Brass(CuZn) Tin plated
- With flange nut: Brass M2.5
- Insulator (housing): Thermoplastic (UL94V-0)

**Electrical cULus**

- Voltage rating: 300VAC
- Current rating: 20A
- Withstanding Voltage: 1.6KV
- Operating temperature: -30°C to +105°C
- Soldering temperature: 250°C±10°C/5 Sec
- Safety Approval: 

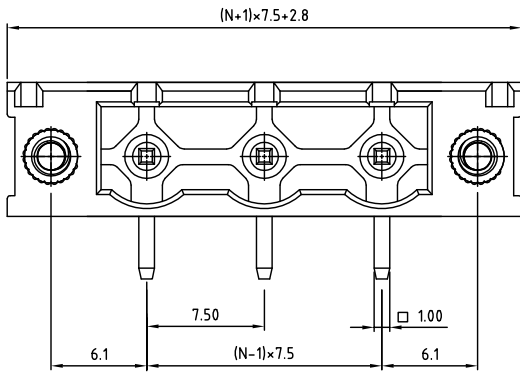
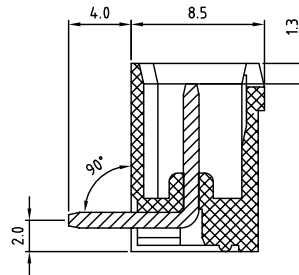
RoHS Compliant

PART NUMBER:

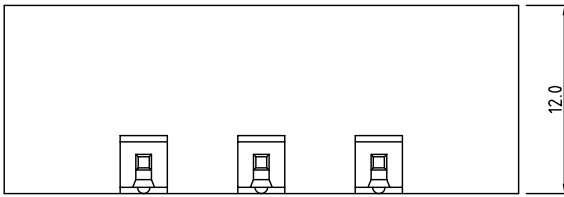
**OSTOQXA551**

No. of Poles  
02: 2 Poles  
:  
16: 16 Poles

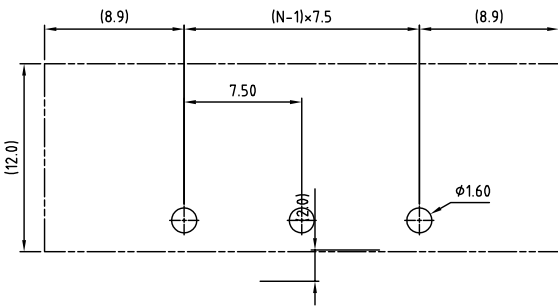
COLOR  
0: Black  
5: Green (Standard)  
6: Blue  
8: Grey




N=Number of contacts



P.C.B LAYOUT



THESE DRAWINGS AND SPECIFICATIONS ARE THE PROPERTY OF ON-SHORE TECHNOLOGY, INC. AND SHALL NOT BE REPRODUCED, COPIED OR USED IN ANY MANNER WITHOUT THE PRIOR WRITTEN CONSENT OF ON-SHORE TECHNOLOGY, INC.

		TITLE		OSTOQ 7.5mm series with flange right-angle 2p-16p	
		PART NO.		OSTOQXA551	
APPROVED		CHECKED	DESIGNED	DRAWN	CUST NO.
Shi Jun 2006.10.31		Marvin 2006.10.31	Marvin 2006.10.31	Marvin 2006.10.31	
SHEET: 01/01		REV: C		Tolerance	
				X: ±0.50	
				X.X: ±0.30	
				X.XX: ±0.10	
				X*: ±1°	