

Excellent Integrated System Limited

Stocking Distributor

Click to view price, real time Inventory, Delivery & Lifecycle Information:

[Crydom](#)

[CNLB](#)

For any questions, you can email us directly:

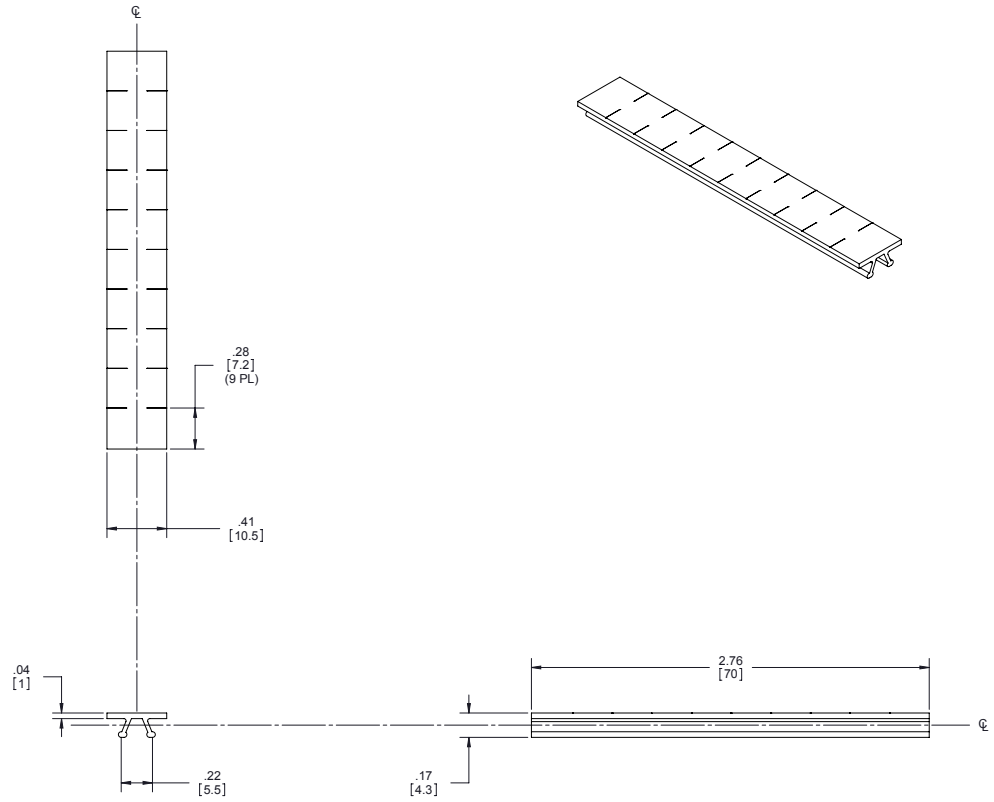
sales@integrated-circuit.com

ID MARKER STRIPS (CNLB,CNLN,CNL2)

REV. DATE	For Technical Support:
01/15/11	support@crydom.com support-europe@crydom.com

NOTE: P/N DESCRIPTION

- CNLB; BLANK STRIPS.
- CNLN; NUMBERED 1 to 10 STRIPS.
- CNL2; NUMBERED 11 to 20STRIPS.



Tolerances: ± 0.02 in / 0.5 mm. All dimensions are in: inches [millimeters]