

Excellent Integrated System Limited

Stocking Distributor

Click to view price, real time Inventory, Delivery & Lifecycle Information:

[Pulse Electronics Corporation](#)
[BX8296NL](#)

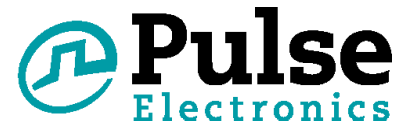
For any questions, you can email us directly:





sales@integrated-circuit.com

ADSL POTS CPE Splitter

BX8296NL

Smart Series



-  POTS CPE Splitter Filter Module for standard ADSL and ADSL2+ VOIP applications
-  Complies with ANSI TI.421 standard for applications in North America
-  Footprint is compatible with a range of Pulse Splitter Filter Modules
-  RoHS-6 compliant

Electrical Specifications @ 25°C

DC Characteristics	
Network port at 20mA	≤ 25Ω
Tip and Ring to Ground at ≤ 100dc / ≥ 100Vc and ≤ 200Vdc	>10MΩ / >30kΩ
Operating Current	
	5 to 90mA
Operating Voltages	
Network tip to ring	0 to -80Vdc
Network tip to ring level with ringing signal of 17 to 23Hz and 40 to 106Vrms	-20 to -80Vdc
On-hook Voice Band Insertion Loss	
Single filter / With 5 filters	-0.5dB to 1.5dB / -1.0dB to 6.5dB
On-hook Voice Band Insertion Loss Distortion	
Single filter, 200 to 1000Hz / With 5 filters	-1.5dB to 1.5dB / -5.5dB to 2.0dB
Single filter, 1 to 2.8kHz / With 5 filters	-1.5dB to 1.5dB / -2.0dB to 2.0dB
On - or Off - hook Envelope Delay 300Hz - 2800Hz	
	<250μs
Off-hook Voice Band Insertion Loss	
Single filter / With 5 filters	-0.5dB to 1.5dB / -1.0dB to 6.5dB
Off-hook Voice Band Insertion Loss Distortion	
Single filter, 200 to 3400Hz / With 5 filters	-1.0dB to 0.5dB / -1.5dB to 2.5dB
Single filter, 3.4 to 4kHz / With 5 filters	-1.5dB to 1.0dB / -2.0dB to 3.25dB
Off-hook impedance distortion	
Phone Port: SRL Low / ERL / SRL High	> 13dB / > 9dB / >3dB
Network Port: SRL Low / ERL / SRL High	> 12dB / > 10dB / >5dB
Inter-Modulation Distortion Second and Third order products	
	> 60dB
On-hook High Band Stopband Attenuation	
From 25 to 50kHz and from 50kHz to 12MHz, between 20 and 90mA	> 12dB
Off-hook High Band Stopband Attenuation	
From 25 to 50kHz, between 20 and 90mA / between 7 and 20mA	> 21dB / > 13dB
From 50 to 12kHz, between 20 and 90mA / between 7 and 20mA	> 25dB / > 22dB
Bridging Loss	
Single filter, 25 kHz to 1.2MHz / With 5 filters	< 0.5dB / < 1.25dB
Single filter, 25 kHz to 1.2MHz / With 5 filters	< 3.0dB / < 4.0dB

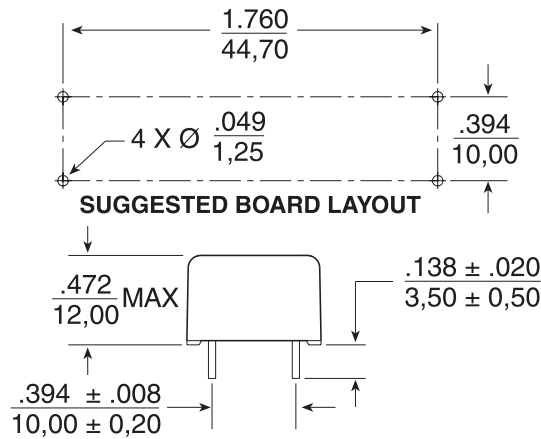
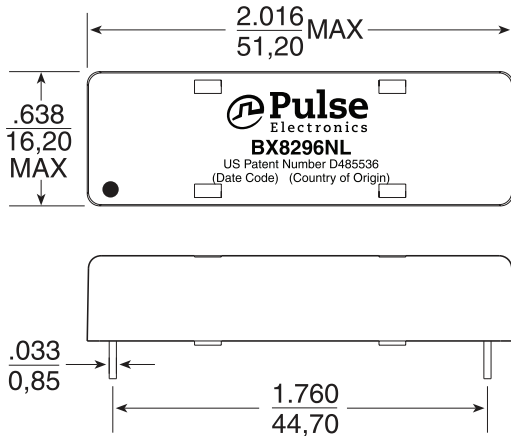
ADSL POTS CPE Splitter

BX8296NL

Smart Series

Mechanical

BX8296NL



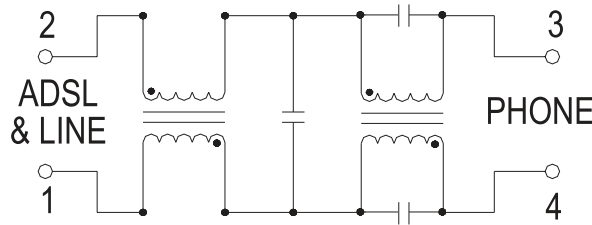
Weight15 grams

Tray35/tray

Dimensions: $\frac{\text{Inches}}{\text{mm}}$

Unless otherwise specified, all tolerances are $\pm \frac{.010}{0,25}$

Schematic



For More Information

Pulse Worldwide Headquarters

12220 World Trade Drive
San Diego, CA
92128
U.S.A.

Tel: 858 674 8100
Fax: 858 674 8262

Pulse Europe

Einsteinstrasse 1
D-71083 Herrenberg
Germany

Tel: 49 7032 78060
Fax: 49 7032 7806 135

Pulse China Headquarters

B402, Shenzhen Academy of
Aerospace Technology Bldg.
10th Kejinan Road
High-Tech Zone
Nanshan District
Shenzhen, PR China
518057

Tel: 86 755 33966678
Fax: 86 755 33966700

Pulse North China

Room 2704/2705
Super Ocean Finance
Ctr.
2067 Yan An Road
West
Shanghai 200336
China

Tel: 86 21 62787060
Fax: 86 2162786973

Pulse South Asia

135 Joo Seng Road
#03-02
PM Industrial Bldg.
Singapore 368363

Tel: 65 6287 8998
Fax: 65 6287 8998

Pulse North Asia

3F, No. 198
Zhongyuan Road
Zhongli City
Taoyuan County 320
Taiwan R. O. C.

Tel: 886 3 4356768
Fax: 886 3 4356823 (Pulse)
Fax: 886 3 4356820 (FRE)

Performance warranty of products offered on this data sheet is limited to the parameters specified. Data is subject to change without notice. Other brand and product names mentioned herein may be trademarks or registered trademarks of their respective owners. © Copyright, 2012. Pulse Electronics, Inc. All rights reserved.