

Excellent Integrated System Limited

Stocking Distributor

Click to view price, real time Inventory, Delivery & Lifecycle Information:

[Hirose Electric Co Ltd](#)
[HR30-8PB-12P](#)

For any questions, you can email us directly:
sales@integrated-circuit.com

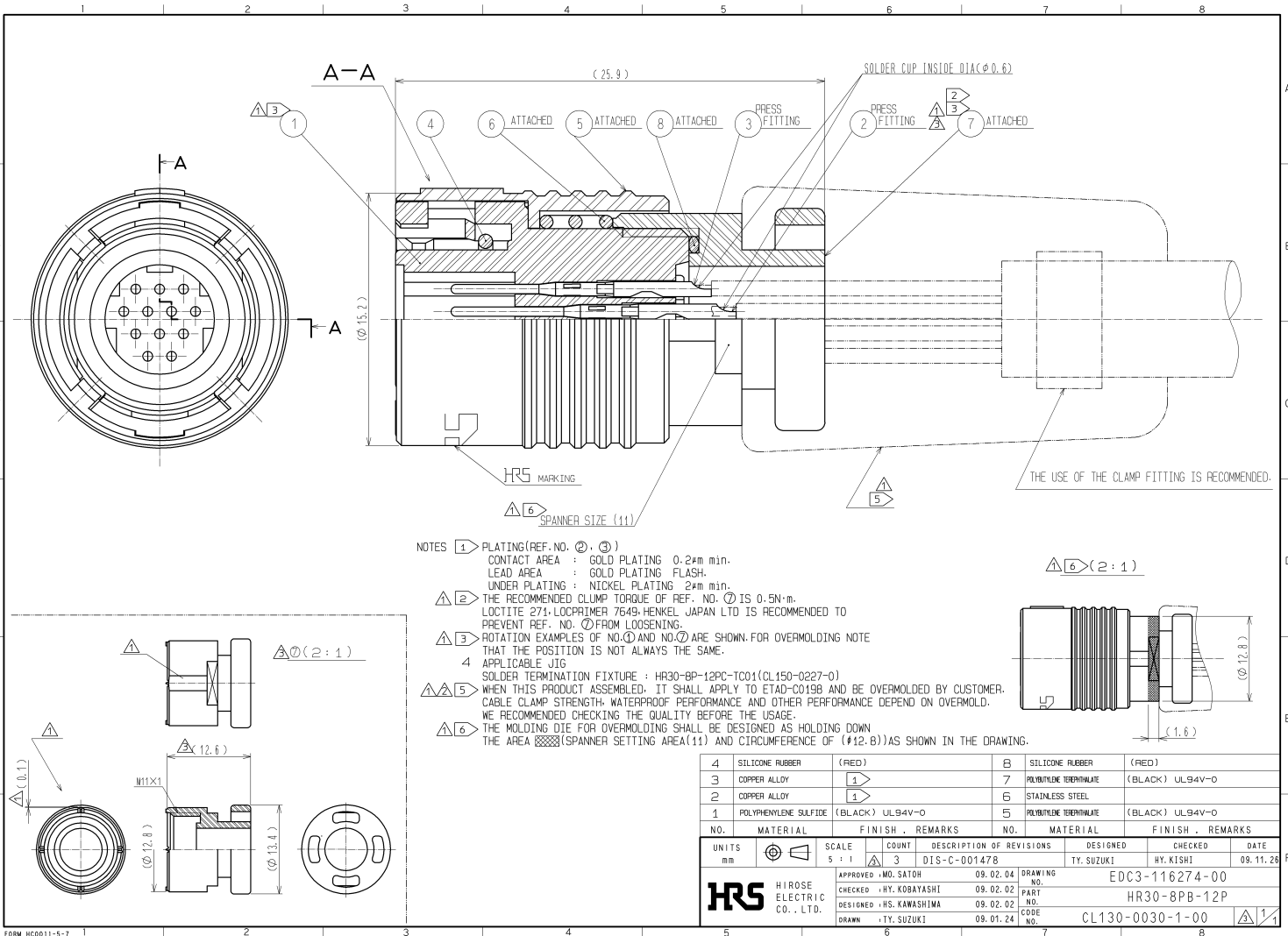
2010/04/14 01:55:53 CAROL TRIBBLE

DRAWING FOR REFERENCE: This is subject to change without notice

APPLICABLE STANDARD					
RATING	OPERATING TEMPERATURE RANGE	-25 °C TO +85 °C	STORAGE TEMPERATURE RANGE	-10 °C TO +60 °C	
	VOLTAGE	AC 30 V , DC 42 V			
	CURRENT	2 A	APPLICABLE CABLE		
SPECIFICATIONS					
ITEM	TEST METHOD	REQUIREMENTS	QT	AT	
CONSTRUCTION					
GENERAL EXAMINATION	VISUALLY AND BY MEASURING INSTRUMENT.	ACCORDING TO DRAWING.	X	X	
MARKING	CONFIRMED VISUALLY.		X	X	
ELECTRIC CHARACTERISTICS					
CONTACT RESISTANCE	CONTACT SHALL BE MEASURED AT DC 1 A	15 mΩ MAX.	X	X	
INSULATION RESISTANCE	100 V DC.	1000 MΩ MIN.	X	X	
VOLTAGE PROOF	300 V AC. FOR 1 min.	NO FLASHOVER OR BREAKDOWN.	X	X	
MECHANICAL CHARACTERISTICS					
CONTACT INSERTION AND WITHDRAWAL FORCES	———— BY STEEL GAUGE.	INSERTION AND WITHDRAWAL FORCES : — N MIN.	—	—	
CONNECTOR INSERTION AND WITHDRAWAL FORCES	MEASURED BY APPLICABLE CONNECTOR.	INSERTION AND WITHDRAWAL FORCES LOCKING DEVICE WITH UNLOCK : — N MAX. LOCKING DEVICE WITH LOCK : 50 N MAX.	X	—	
MECHANICAL OPERATION	1000 TIMES INSERTIONS AND EXTRACTIONS.	CONTACT RESISTANCE: 30 mΩ MAX.	X	—	
VIBRATION	FREQUENCY: 10 → 55 → 10 (Hz) (1CYC,5min), SINGLE AMPLITUDE 0.75 mm, AT 10 CYC, FOR 3 DIRECTIONS.	① NO ELECTRICAL DISCONTINUITY OF 10 μs. ② NO DAMAGE, CRACK AND LOOSENESS, OF PARTS.	X	—	
SHOCK	490 m/s ² DIRECTIONS OF PULSE 11 ms AT 3 TIMES FOR 3 DIRECTIONS.	① NO ELECTRICAL DISCONTINUITY OF 10 μs. ② NO DAMAGE, CRACK AND LOOSENESS, OF PARTS.	X	—	
ENVIRONMENTAL CHARACTERISTICS					
DAMP HEAT (STEADY STATE)	EXPOSED AT 40 °C, 90 TO 95 %, 96 h.	① INSULATION RESISTANCE: 10 MΩ MIN (AT HIGH HUMIDITY). ② INSULATION RESISTANCE: 100 MΩ MIN (AT DRY). ③ NO DAMAGE. CRACK AND LOOSENESS OF PARTS.	X	—	
RAPID CHANGE OF TEMPERATURE	TEMPERATURE -55→ R/T ⁽¹⁾ → +85 → R/T °C TIME 30 → 10 TO 15 → 30 → 10 TO 15 min UNDER 5 CYCLES.	① INSULATION RESISTANCE: 100 MΩ MIN. ② NO DAMAGE. CRACK AND LOOSENESS OF PARTS.	X	—	
CORROSION SALT MIST	EXPOSED IN 5 % SALT WATER SPRAY FOR 48 h.	NO HEAVY CORROSION RUIN THE FUNCTION.	X	—	
DRY HEAT	EXPOSED AT + 85 °C , 96 h.	NO DAMAGE, CRACK AND LOOSENESS OF PARTS.	X	—	
COLD	EXPOSED AT - 55 °C , 96 h.	NO DAMAGE, CRACK AND LOOSENESS OF PARTS.	X	—	
RESISTANCE TO SOLDERING HEAT	SOLDER TEMPERATURE, + 380±10°C, FOR SOLDERING DURATION, 3 TO 4 s.	NO DEFORMATION OF CASE OF EXCESSIVE LOOSENESS OF THE TERMINALS.	X	—	
SOLDERABILITY	SOLDERED AT SOLDER TEMPERATURE, + 350±10°C FOR SOLDERING DURATION, 2 TO 3 s.	WETTING ON SOLDER SURFACE, NO SOLDER CLUSTER.	X	—	
SEALING	EXPOSED AT A DEPTH OF 1 m FOR 0.5 h.	NO WATER PENETRATION INSIDE CONNECTOR.	X	—	
AIRTIGHTNESS	APPLY AIR PRESSURE 17.6kPa FOR 0.5min TO INSIDE CONNECTOR.	NO AIR BUBBLES INSIDE CONNECTOR.	X	—	
COUNT	DESCRIPTION OF REVISIONS	DESIGNED	CHECKED	DATE	
0					
REMARK		APPROVED	MO. SATOH	09.02.17	
NOTE(1) R/T : ROOM TEMPERATURE		CHECKED	HY. KOBAYASHI	09.02.16	
		DESIGNED	TY. SUZUKI	09.02.16	
Unless otherwise specified, refer to JIS C 5402.		DRAWN	TY. SUZUKI	09.02.16	
Note QT:Qualification Test AT:Assurance Test X:Applicable Test		DRAWING NO.		ELC4-116274-00	
	SPECIFICATION SHEET	PART NO.	HR30-8PB-12P		
	HIROSE ELECTRIC CO., LTD.	CODE NO.	CL130-0030-1-00		1/1

DRAWING FOR REFERENCE: This is subject to change without notice

2010/04/14 01:55:54 CAROL.TRI@BLE



4	SILICONE RUBBER	(RED)	8	SILICONE RUBBER	(RED)								
3	COPPER ALLOY	①	7	POLYBUTYLENE TEREPHTHALATE	(BLACK) UL94V-0								
2	COPPER ALLOY	①	6	STAINLESS STEEL									
1	POLYPHENYLENE SULFIDE	(BLACK) UL94V-0	5	POLYBUTYLENE TEREPHTHALATE	(BLACK) UL94V-0								
NO.	MATERIAL	FINISH	REMARKS	NO.	MATERIAL	FINISH	REMARKS						
UNITS	mm	SCALE	5 : 1	COUNT	3	DESCRIPTION OF REVISIONS	DIS-C-001478	DESIGNED	TY. SUZUKI	CHECKED	HY. KISHI	DATE	09.11.28
HRS HIROSE ELECTRIC CO., LTD.		APPROVED	MO. SATOH	09.02.04	DRAWING NO.	EDC3-116274-00							
		CHECKED	HY. KOBAYASHI	09.02.02	PART NO.	HR30-8PB-12P							
		DESIGNED	HS. KAWASHIMA	09.02.02	CODE NO.	CL130-0030-1-00							
		DRAWN	TY. SUZUKI	09.01.24									