

Excellent Integrated System Limited

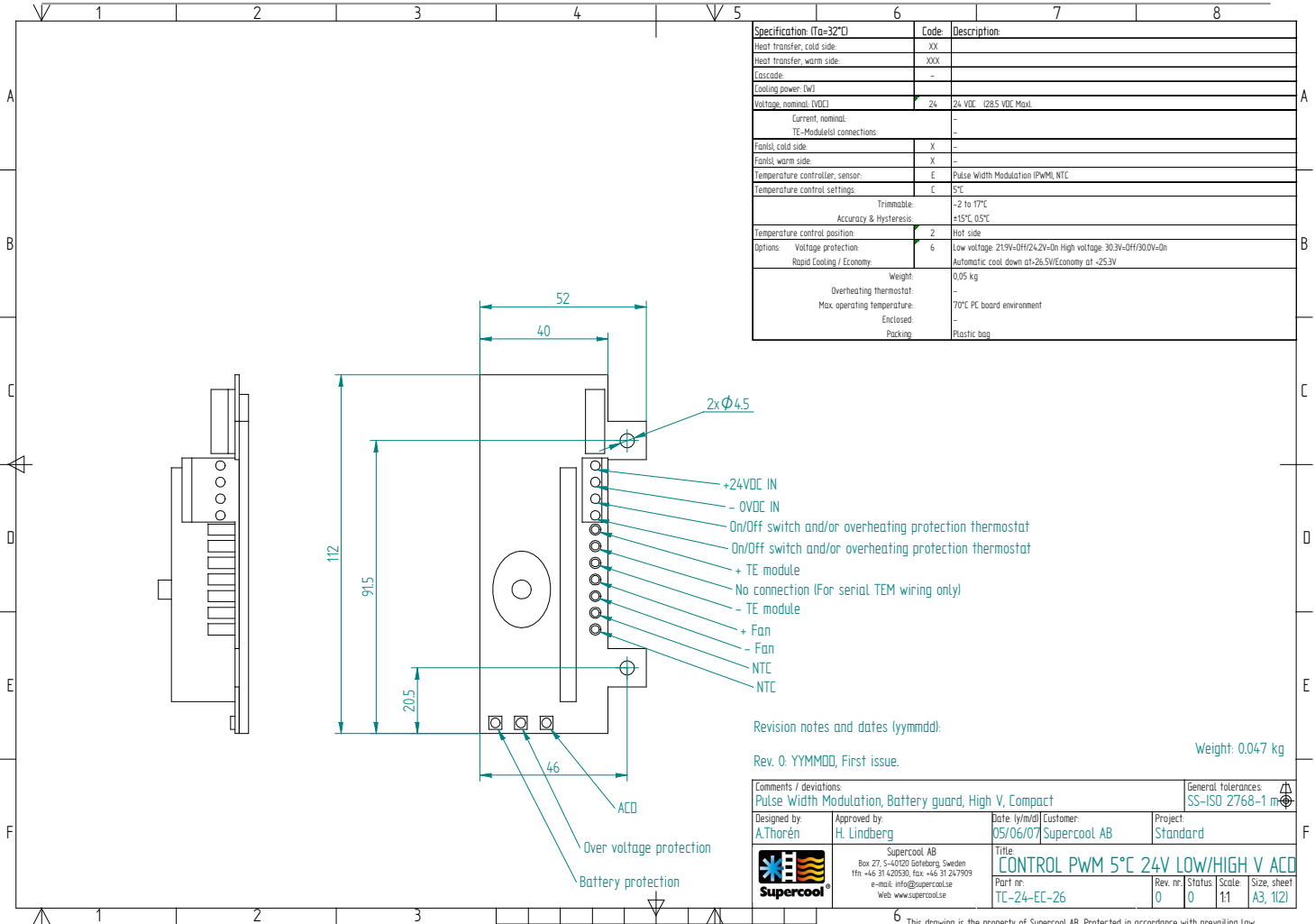
Stocking Distributor

Click to view price, real time Inventory, Delivery & Lifecycle Information:

[Laird Technologies - Engineered Thermal Solutions](#)
[TC-24-EC-26](#)

For any questions, you can email us directly:

sales@integrated-circuit.com




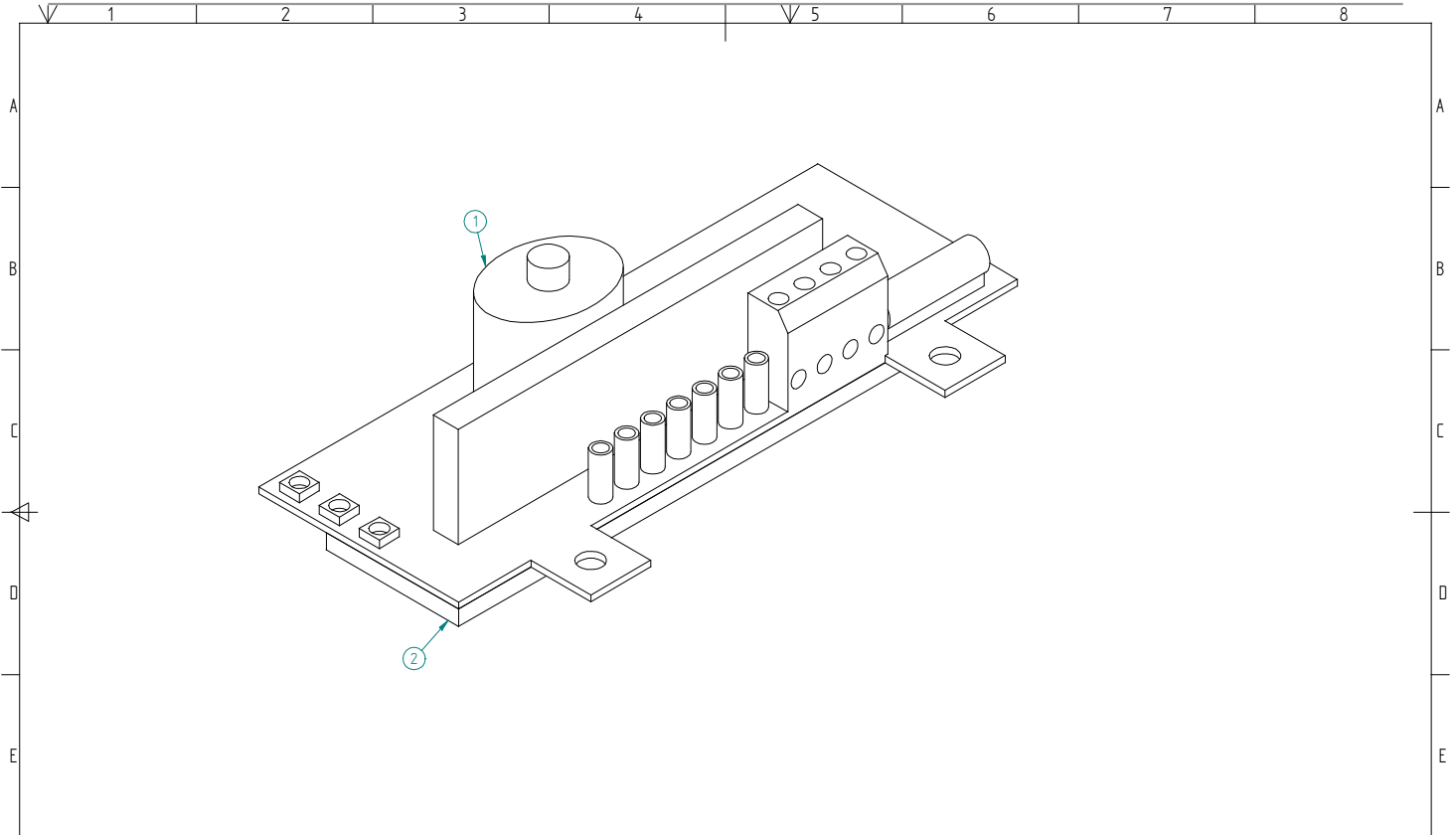
Specification: (Ta=32°C)	Code	Description
Heat transfer, cold side	XX	
Heat transfer, warm side	XXX	
Cascade	-	
Cooling power: (W)		
Voltage, nominal: OVDC	24	24 VDC (28.5 VDC Max)
Current, nominal: TE-Modules connections	-	
Fan(s), cold side	X	
Fan(s), warm side	X	
Temperature controller: sensor	E	Pulse Width Modulation (PWM), NTC
Temperature control settings	L	5°C
Temperature control position	2	Hot side
Options: Voltage protection	6	Low voltage: 21.9V-Off/24.2V-On High voltage: 30.3V-Off/30.0V-On
Rapid Cooling / Economy		Automatic cool down at $28.5V$ Economy at $25.3V$
Weight		0.05 kg
Overheating thermostat		-
Max. operating temperature		70°C PC board environment
Enclosed		-
Packing		Plastic bag

Revision notes and dates (yyymmdd):


Rev. 0: YYMMDD, First issue.

Weight: 0.047 kg

Comments / deviations				General tolerances	
Pulse Width Modulation, Battery guard, High V, Compact				SS-ISO 2768-1 m	
Designed by:	Approved by:	Date: (y/m/d)	Customer:	Project:	
A.Thorén	H. Lindberg	05/06/07	Supercool AB	Standard	
			Title: CONTROL PWM 5°C 24V LOW/HIGH V ACD		
Supercool AB Box 27, S-40120 Goleborg, Sweden Hfn: +46 31 420530; Fax: +46 31 247909 e-mail: info@supercool.se Web: www.supercool.se			Part nr:	Rev. nr:	Status:
			TC-24-EC-26	0	0
			Scale:	1:1	Size: sheet
			A3, 112		



No.	Qty.	Part nr.	Title	Subject	Material	Comment	Sys.	Rev.
1	1	RZE-YACD-24-BANTAT	CONTROL PWM 24V	TYPE E		Pulse Width Modulation	Avai labl e	
2	1	RPL-01615	INSULATION YACD		RG30, Tape 0241, PP Foil 0.5, Black	Electrical insulation	Avai labl e	0

Material:	Comment/Treating:	General tolerances:
Designed by: A.Thorén	Approved by: H.Lindberg	Date: (y/m/d) 05/06/07
Customer: Supercool AB		Project: Standard
 Supercool AB Box 27, S-40120 Göteborg, Sweden Hfn: +46 31 420530; Fax: +46 31 247909 e-mail: info@supercool.se Web: www.supercool.se		Title: CONTROL PWM 5°C 24V LOW/HIGH V ACD Part nr: TC-24-EC-26
Rev. nr:	Status:	Scale:
0	0	1:1
Size, sheet	A3, 2/21	

6 This drawing is the property of Supercool AB. Protected in accordance with prevailing law.