

## Excellent Integrated System Limited

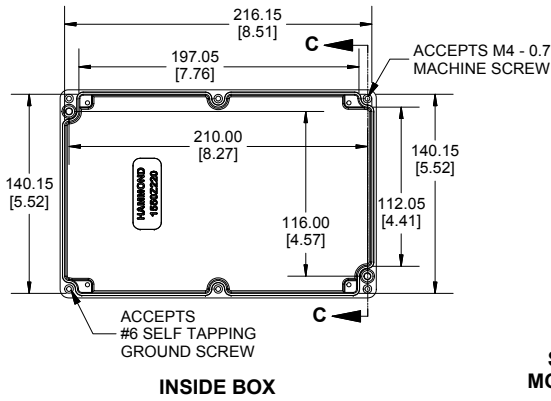
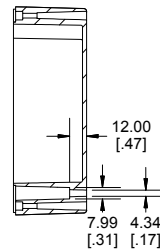
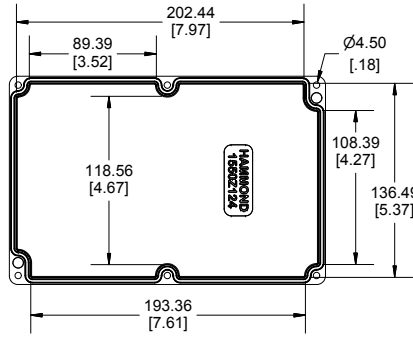
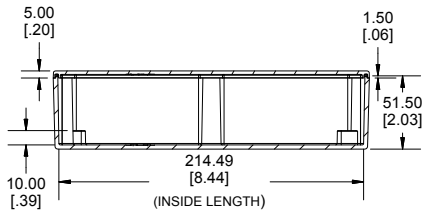
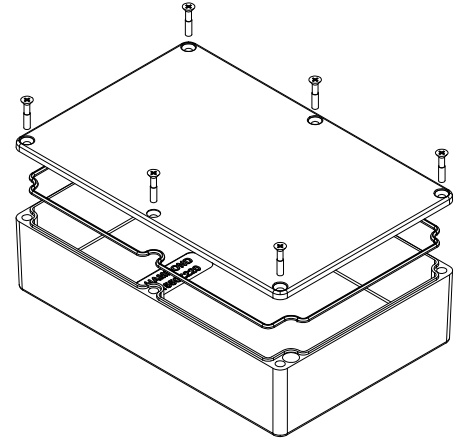
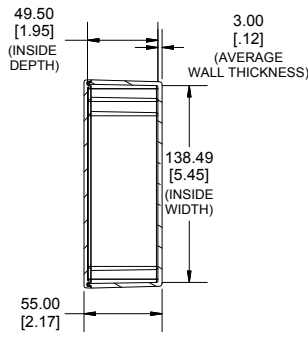
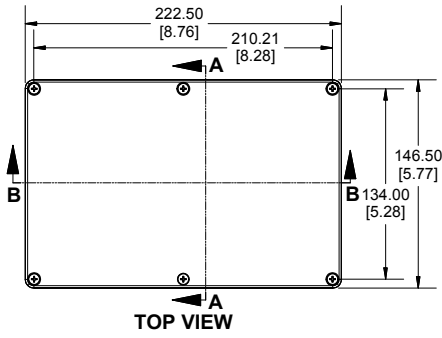
Stocking Distributor

Click to view price, real time Inventory, Delivery & Lifecycle Information:

[Hammond Manufacturing](#)  
[1550Z124](#)

For any questions, you can email us directly:

[sales@integrated-circuit.com](mailto:sales@integrated-circuit.com)



Enclosures can be Factory Modified ( Milling, Drilling, Printing etc.)  
Contact Factory [mjm@hammondmfg.com](mailto:mjm@hammondmfg.com) for quotes  
Solid models of this enclosure available in STEP or IGES.  
(Part number and text placement/orientation on our products are subject to change.  
We do not recommend using them as a locating reference for modification purposes)

NOTE	
Purchased assembly includes box, lid, silicone gasket, and 4 cover screws. Box and lid are made from Diecast Aluminum Alloy.	
Screws should not be torqued past 5-7.5 lbf.in ( 50 -75 cN.m)	
PART NUMBERS	
1550Z124 Enclosure	
Basic Enclosure	1550Z124
Black Enclosure	1550Z124BK
Grey Enclosure - RAL7001 Gloss	1550Z124GY
ACCESSORIES	
Pre-Formed Silicone Gasket	1550Z124GASKET

**1550Z124**  
www.hammondmfg.com

Dimensions:  
mm  
[inches]