

Excellent Integrated System Limited

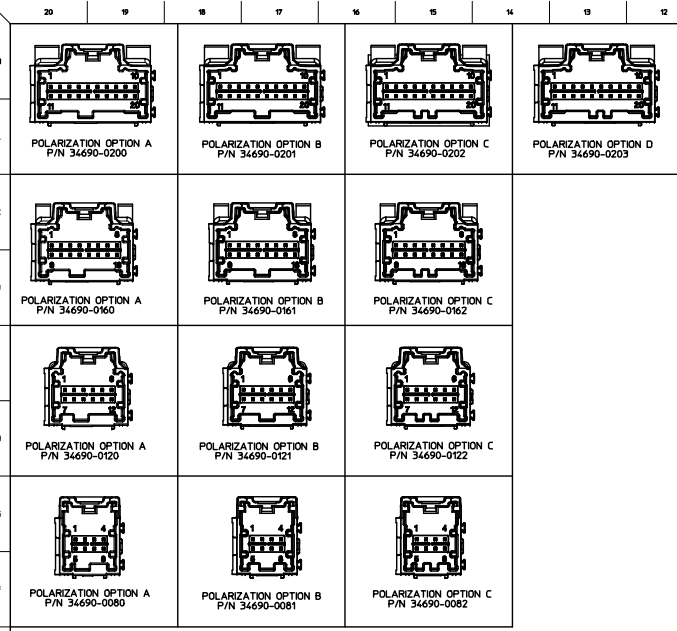
Stocking Distributor

Click to view price, real time Inventory, Delivery & Lifecycle Information:

[Molex Connector Corporation](#)
[0346900162](#)

For any questions, you can email us directly:

sales@integrated-circuit.com



MATERIAL NUMBER		CKT SIZE	DESCRIPTION	POL	COLOR
TRAY PACKAGING PK-31300-892	TUBE PACKAGING PK-31301-063				
34690-0200	34690-9200	20	STAC64 VERTICAL HEADER ASSEMBLY	A	BLACK
34690-0201	34690-9201	20	STAC64 VERTICAL HEADER ASSEMBLY	B	GREY
34690-0202	34690-9202	20	STAC64 VERTICAL HEADER ASSEMBLY	C	BROWN
34690-0203	34690-9203	20	STAC64 VERTICAL HEADER ASSEMBLY	D	GREEN
34690-0160	34690-9160	16	STAC64 VERTICAL HEADER ASSEMBLY	A	BLACK
34690-0161	34690-9161	16	STAC64 VERTICAL HEADER ASSEMBLY	B	GREY
34690-0162	34690-9162	16	STAC64 VERTICAL HEADER ASSEMBLY	C	BROWN
34690-0120	34690-9120	12	STAC64 VERTICAL HEADER ASSEMBLY	A	BLACK
34690-0121	34690-9121	12	STAC64 VERTICAL HEADER ASSEMBLY	B	GREY
34690-0122	34690-9122	12	STAC64 VERTICAL HEADER ASSEMBLY	C	BROWN
34690-0080	34690-9080	8	STAC64 VERTICAL HEADER ASSEMBLY	A	BLACK
34690-0081	34690-9081	8	STAC64 VERTICAL HEADER ASSEMBLY	B	GREY
34690-0082	34690-9082	8	STAC64 VERTICAL HEADER ASSEMBLY	C	BROWN

NOTES: VALID UNLESS OTHERWISE SPECIFIED

1. GENERAL:

a. CONNECTOR HEADER MUST BE VALIDATED TO THE FOLLOWING FUNCTIONAL REQUIREMENTS:
 POLARIZATION FEATURE EFFECTIVENESS - SEE PRODUCT SPECIFICATION
 PIN RETENTION - USCAR-2 REV 4
 SOLDERABILITY - SMES-152

b. APPLICATION REQUIREMENTS (REFERENCE ONLY) FOR:
 SEE APPLICATION SPECIFICATION - AS-34729-020/AS-31408-100
 SEE PRODUCT SPECIFICATION - PS-34729-020/PS-31408-100

c. PACKAGING SPECIFICATION: SEE CHART

2. DESIGN: MATERIALS:

a. SHROUD (PLASTIC HOUSING):
 RESIN - SPS 30%GF - 20% REGRIND MAX. BY WEIGHT

b. 0.4MM PINS:
 BASE MATERIAL: C26000
 PLATING TYPE: AS NOTED

3. PLATING REQUIREMENTS:

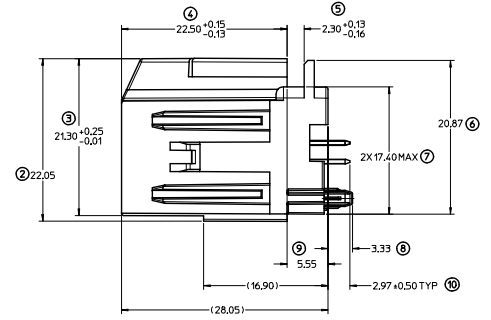
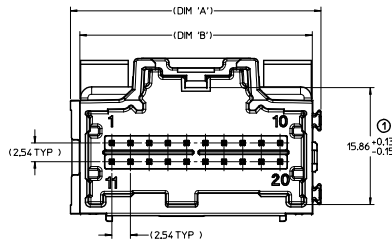
a. UNDERPLATING - OVERALL NICKEL
 b. OVERPLATING - OVERALL TIN

4. INTERFACE: USCAR
 024-UI-008-2-201
 024-UI-012-2-201
 024-UI-016-2-201
 024-UI-020-2-201
 024-UI-020-2-202
 024-UI-020-2-202

SOME CHANGES HAVE BEEN MODIFIED TO IMPROVE POLARIZATION EFFECTIVENESS. SEE AS-34729-002/AS-31408-100.

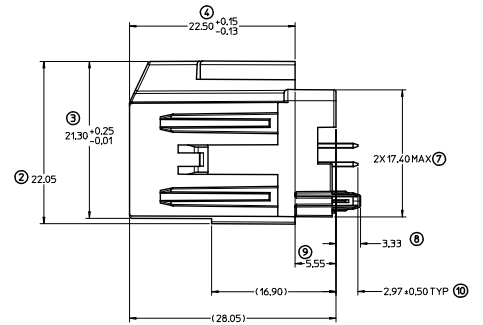
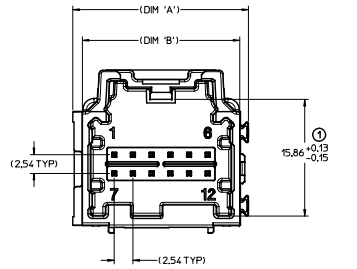
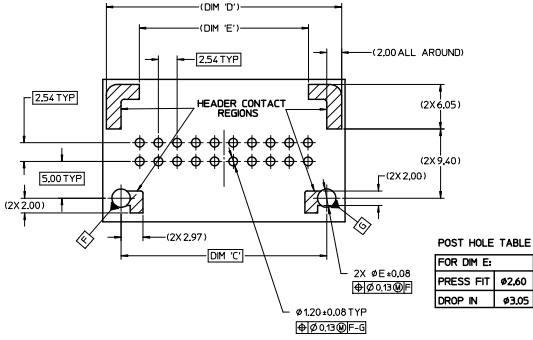
QUALITY SYMBOLS ▽=0 ▽=0	GENERAL TOLERANCES (UNLESS SPECIFIED) mm INCH 4 PLACES ± .01 ± .0008 3 PLACES ± .02 ± .0008 2 PLACES ± .03 ± .0008 1 PLACE ± 0.25 ± .0008 ANGULAR ± 3 °	DIMENSION STYLE MM ONLY	SCALE 2:1	DESIGN UNITS METRIC	THIRD ANGLE PROJECTION	
	DRAWN BY M BAILEY DATE 10/02/06	CHECKED BY CDILLON DATE 04/18/07	TITLED STAC64 SINGLE BAY VERTICAL ASSEMBLY SALES DRAWING			
	APPROVED BY SMARLEAU DATE 2010/11/04	MATERIAL NO. SEE CHART	DOCUMENT NO. SD-34690-100	MOLEX INCORPORATED		
	DRAFT WHERE APPLICABLE MUST REMAIN WITHIN DIMENSIONS		THIS DRAWING CONTAINS INFORMATION THAT IS PROPRIETARY TO MOLEX INCORPORATED AND SHOULD NOT BE USED WITHOUT WRITTEN PERMISSION			

CKT SIZE	DIM 'A'	DIM 'B'	DIM 'C'	DIM 'D'	DIM 'E'
20	34.04	31.57	27.94	31.97	23.00
16	28.96	26.49	22.86	26.89	17.92
12	23.88	21.41	17.78	21.81	12.84
8	18.80	16.53	12.70	16.73	7.76



LAYOUT FOR 16 & 20 CKT. HEADERS
(20 CKT. OPTION 'A' SHOWN)

RECOMMENDED PCB LAYOUT



LAYOUT FOR 8 & 12 CKT. HEADERS
(12 CKT. OPTION 'A' SHOWN)

UPDATED DIMENSIONS EC NO. UAD2005-697 DRAWN BY: SCHEERL 2005/05/14 CHKD: [blank] APPROVED BY: [blank] 2010/05/22 REV: [blank]	QUALITY SYMBOLS ▽=0 ▽=0	GENERAL TOLERANCES (UNLESS SPECIFIED) mm INCH 4 PLACES ± .025 ± .010 3 PLACES ± .013 ± .005 2 PLACES ± 0.13 ± .005 1 PLACE ± 0.25 ± .010 ANGULAR ± 3 °	DIMENSION STYLE MM ONLY	SCALE 4:1	DESIGN UNITS METRIC	THIRD ANGLE PROJECTION	
	DRAWN BY: MBALLEY CHECKED BY: DILLON APPROVED BY: SMARCEAU	DATE 10/02/06 04/18/07 2010/11/04	TITLE STAC64 SINGLE BAY VERTICAL ASSEMBLY SALES DRAWING	MATERIAL NO. SEE CHART	DOCUMENT NO. SD-34690-100	SHEET NO. 2 OF 2	MOLEX INCORPORATED
	DRAFT WHERE APPLICABLE MUST REMAIN WITHIN DIMENSIONS						
	THIS DRAWING CONTAINS INFORMATION THAT IS PROPRIETARY TO MOLEX INCORPORATED AND SHOULD NOT BE USED WITHOUT WRITTEN PERMISSION						