

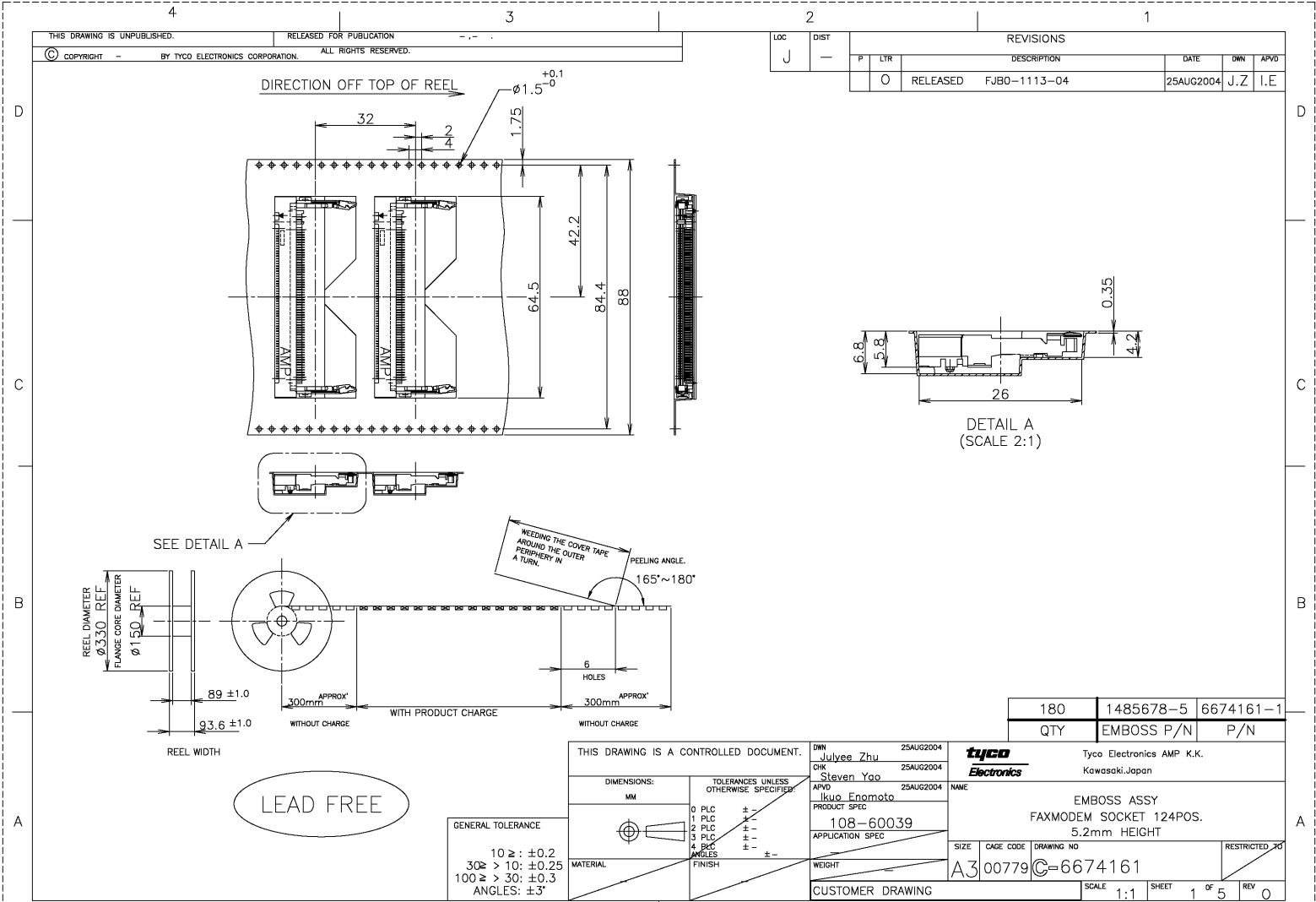
Excellent Integrated System Limited

Stocking Distributor

Click to view price, real time Inventory, Delivery & Lifecycle Information:

[TE Connectivity AMP Connectors](#)
[6674161-1](#)

For any questions, you can email us directly:
sales@integrated-circuit.com



THIS DRAWING IS UNPUBLISHED. RELEASED FOR PUBLICATION
 © COPYRIGHT BY TYCO ELECTRONICS CORPORATION. ALL RIGHTS RESERVED.

LOC	DIST	REVISIONS			
P	LTR	DESCRIPTION	DATE	DWN	APVD
J	-				
O		RELEASED	FJB0-1113-04	25AUG2004	J.Z I.E

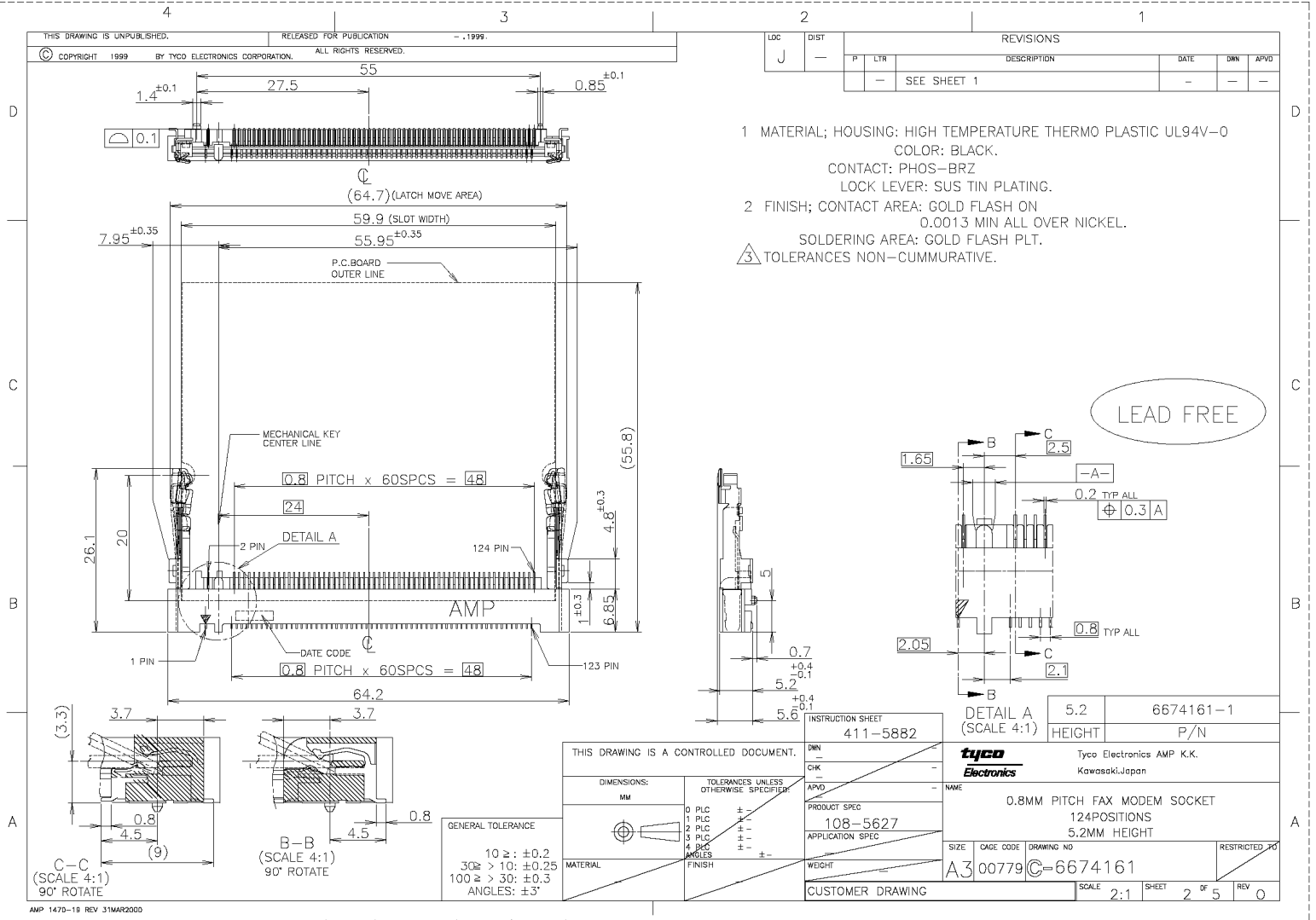
180	1485678-5	6674161-1
QTY	EMBOSS P/N	P/N

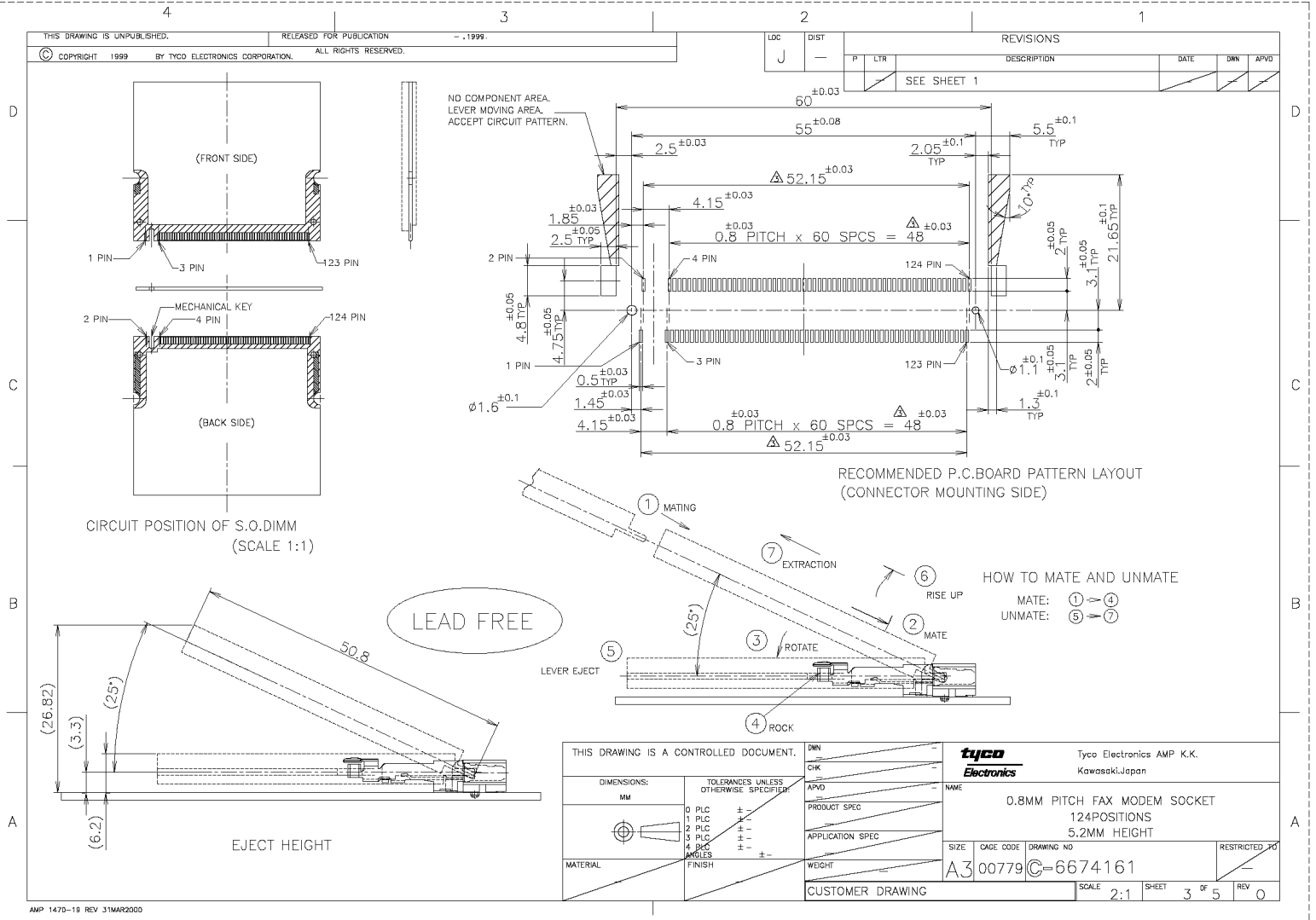
THIS DRAWING IS A CONTROLLED DOCUMENT.		DWN Julyee Zhu 25AUG2004	tyco Electronics		Tyco Electronics AMP K.K. Kawasaki, Japan
DIMENSIONS: MM		CHK Steven Yao 25AUG2004	NAME		
TOLERANCES UNLESS OTHERWISE SPECIFIED:		APVD Ikuo Enomoto 25AUG2004	EMBOSS ASSY FAXMODEM SOCKET 124POS. 5.2mm HEIGHT		
0 PLC ±		PRODUCT SPEC	SIZE CAGE CODE DRAWING NO		
1 PLC ±		108-60039	A3 00779 C-6674161		
2 PLC ±		APPLICATION SPEC	RESTRICTED		
3 PLC ±		WEIGHT	SCALE 1:1 SHEET 1 OF 5 REV 0		
4 PLC ±		CUSTOMER DRAWING			
MATERIAL					
FINISH					

GENERAL TOLERANCE

10 ≥ : ±0.2
 30 ≥ > 10: ±0.25
 100 ≥ > 30: ±0.3
 ANGLES: ±3°

LEAD FREE

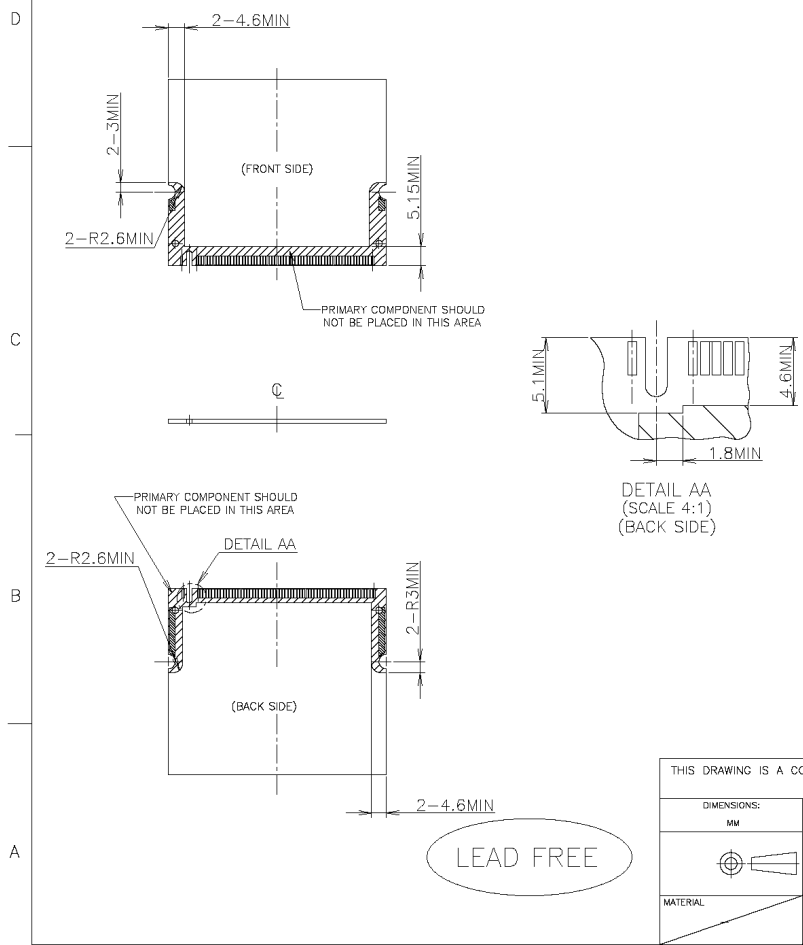




THIS DRAWING IS UNPUBLISHED. RELEASED FOR PUBLICATION
 COPYRIGHT 1999 BY TYCO ELECTRONICS CORPORATION. ALL RIGHTS RESERVED.

LOC	DIST	REVISIONS		
P	LTR	DESCRIPTION	DATE	DWN
J	-	SEE SHEET 1		

- 4 TOLERANCES ON ALL DIMENSIONS ± 0.15 UNLESS OTHERWISE SPECIFIED.
- 5 CARD THICKNESS APPLIES ACROSS TABS AND INCLUDES PLATING AND/OR METALIZATION.
- 6 APPLICATION NOTE:
 GOLD CONTACT PAD : ELECTROLESS GOLD PLATING 0.05 μ m MIN.
 OVER ELECTROLESS Ni PLATING 2 μ m MIN.
- 7 BORDER OF COMPONENT AREA.



SYMBOL	VARIATIONS ALL DIMENSIONS IN mm					
	NORMAL HEIGHT 44.45			NORMAL HEIGHT 50.80		
	MIN	NOM	MAX	MIN	NOM	MAX
A	44.3	44.45	44.60	50.65	50.80	50.95
A1	6.00	BSC		6.00	BSC	
A2	20.00	BSC		20.00	BSC	
D	59.45	59.6	59.75	59.45	59.6	59.75
D1	1.30	BSC		1.30	BSC	
D2	55.60	BSC		55.60	BSC	
D3	2.05	BSC		2.05	BSC	
D4	1.65	BSC		1.65	BSC	
D5	24.00	BSC		24.00	BSC	
e1	48.00	BSC		48.00	BSC	
N		124			124	

THIS DRAWING IS A CONTROLLED DOCUMENT.

DIMENSIONS:	MM	TOLERANCES UNLESS OTHERWISE SPECIFIED	0 PLC \pm	1 PLC \pm	2 PLC \pm	3 PLC \pm	4 PLC \pm	ANGLES \pm	FINISH
-------------	----	---------------------------------------	-------------	-------------	-------------	-------------	-------------	--------------	--------

DWN: _____
 CHK: _____
 APVD: _____
 PRODUCT SPEC: _____
 APPLICATION SPEC: _____
 WEIGHT: _____
 CUSTOMER DRAWING: _____

tyco
Electronics
 Tyco Electronics AMP K.K.
 Kawasaki, Japan

NAME: 0.8MM PITCH FAX MODEM SOCKET
 124POSITIONS
 5.2MM HEIGHT

SIZE: A3 CASE CODE: 00779 DRAWING NO: C=6674161 RESTRICTED TO: _____
 SCALE: 1:1 SHEET: 5 OF 5 REV: 0