

Excellent Integrated System Limited

Stocking Distributor

Click to view price, real time Inventory, Delivery & Lifecycle Information:

[ON Semiconductor](#)
[P1727AF-08SR](#)

For any questions, you can email us directly:

sales@integrated-circuit.com

P1727

ON Semiconductor®



Notebook LCD Panel EMI Reduction IC

Features

- FCC approved method of EMI attenuation
- Generates a low EMI spread spectrum of the input clock frequency
- Optimized for frequency range: P1727X: 20MHz to 40MHz
- Internal loop filter minimizes external components and board space
- 8 different frequency deviations ranging from $\pm 0.625\%$ to -3.50%
- Low inherent Cycle-to-cycle jitter
- 3.3V Operating Voltage
- Supports notebook VGA and other LCD timing controller applications
- Available in 8-pin SOIC.

Product Description

The P1727 is a versatile spread spectrum frequency modulator designed specifically for a wide range of clock frequencies. The P1727 reduces electromagnetic interference (EMI) at the clock source, allowing system wide reduction of EMI of down stream (clock and data dependent signals). The P1727 allows significant

system cost savings by reducing the number of circuit board layers and shielding that are traditionally required to pass EMI regulations.

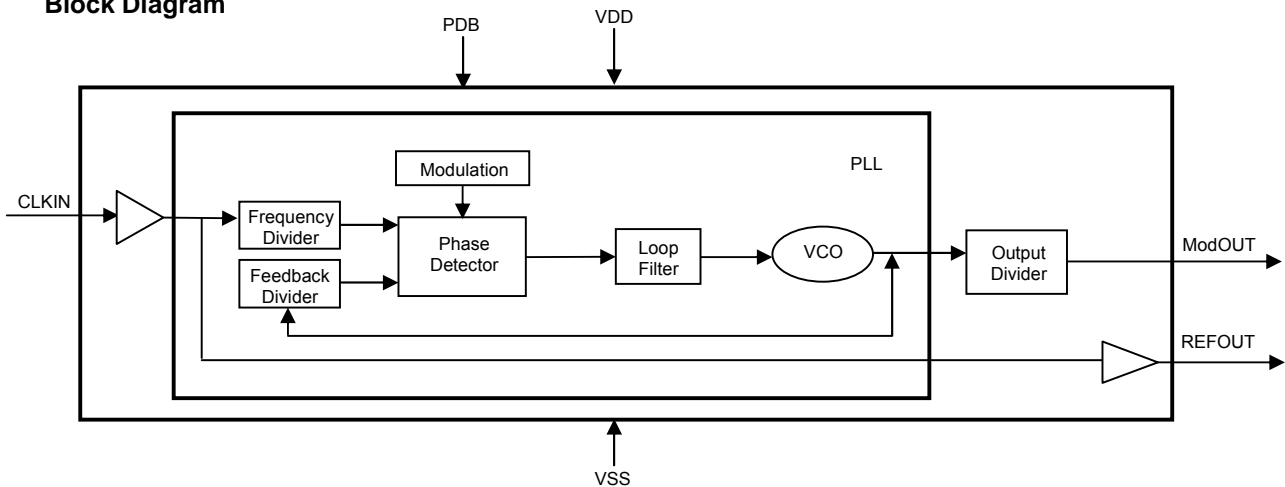
The P1727 modulates the output of a single PLL in order to “spread” the bandwidth of a synthesized clock, thereby decreasing the peak amplitudes of its harmonics. This result in significantly lower system EMI compared to the typical narrow band signal produced by oscillators and most clock generators. Lowering EMI by increasing a signal’s bandwidth is called spread spectrum clock generation.

The P1727 uses the most efficient and optimized modulation profile approved by the FCC and is implemented by using a proprietary all-digital method.

Applications

The P1727 is targeted towards notebook LCD displays, other displays using an LVDS interface, PC peripheral devices and embedded systems.

Block Diagram



P1727

Pin Configuration

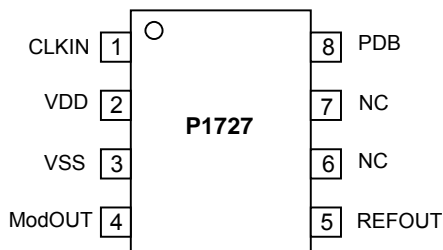


Table 1 – Power Down Selection

PDB	Spread Spectrum	ModOUT	PLL	Mode
0	N/A	Disabled	Disabled	Power Down
1	ON	Normal	Normal	Normal

Table 2 – Frequency Deviation Selection

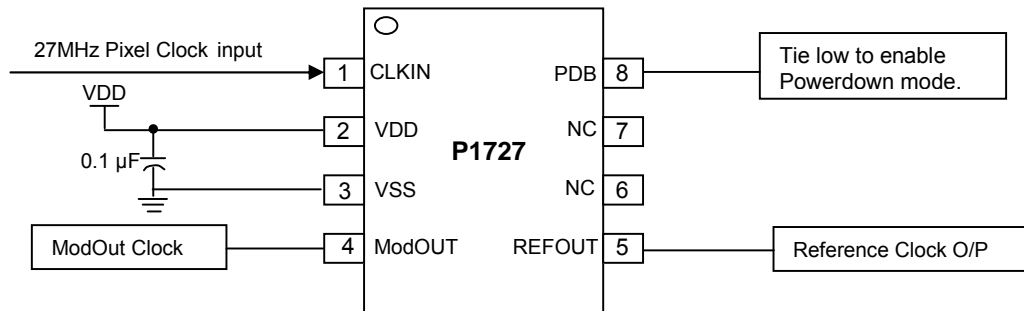
P/ N	Deviation	P/N	Deviation
P1727A	-1.25%	P1727E	±0.625%
P1727B	-1.75%	P1727F	±0.875%
P1727C	-2.50%	P1727G	±1.25%
P1727D	-3.50%	P1727H	±1.75%

Pin Description

Pin#	Pin Name	Type	Description
1	CLKIN	I	External reference frequency input. Connect to externally generated reference signal.
2	VDD	P	Connect to +3.3V.
3	VSS	P	Ground Connection. Connect to system ground.
4	ModOUT	O	Spread Spectrum Clock output.
5	REFOUT	O	Reference output.
6	NC		No connect.
7	NC		No connect.
8	PDB	I	Powerdown Pin. Pull low to disable spread spectrum clock output.

P1727

Schematic for notebook VGA application



Absolute Maximum Ratings

Symbol	Parameter	Rating	Unit
VDD, V _{IN}	Voltage on any pin with respect to Ground	-0.5 to +7	V
T _{STG}	Storage temperature	-65 to +125	°C
T _s	Max. Soldering Temperature (10 sec)	260	°C
T _J	Junction Temperature	150	°C
T _{DV}	Static Discharge Voltage (As per JEDEC STD22- A114-B)	2	KV

Note: These are stress ratings only and are not implied for functional use. Exposure to absolute maximum ratings for prolonged periods of time may affect device reliability.

Operating Conditions

Symbol	Parameter	Min	Max	Unit
VDD	Supply Voltage with respect to VSS	3.0	3.6	V
T _A	Operating temperature	-40	+85	°C
C _L	Load Capacitance		15	pF
C _{IN}	Input Capacitance		7	pF

P1727

DC Electrical Characteristics

Symbol	Parameter		Min	Typ	Max	Unit
V _{IL}	Input Low voltage		VSS – 0.3		0.8	V
V _{IH}	Input High voltage		2.0		VDD +0.3	V
I _{IL}	Input Low current				-35	μA
I _{IH}	Input High current				35	μA
V _{OL}	Output Low current	VDD = 3.3V, I _{OL} = 20mA			0.4	V
V _{OH}	Output High current	VDD = 3.3V, I _{OH} = 20mA	2.5			V
I _{DD}	Static Supply Current (CLKIN, PDB pulled Low)				2	mA
I _{CC}	Dynamic Supply Current (No Load)			14	18	mA
V _{DD}	Operating Voltage		3.0	3.3	3.6	V
t _{ON}	Power up time (first locked clock cycle after power up)			0.18		mS
Z _{OUT}	Clock Output impedance			50		Ω

AC Electrical Characteristics

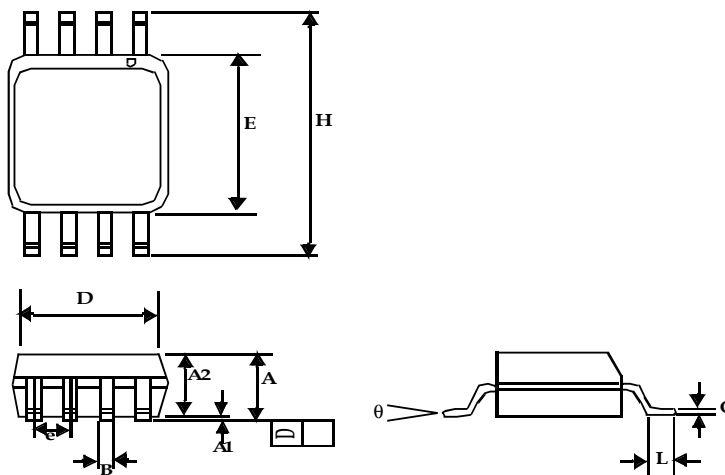
Symbol	Parameter		Min	Typ	Max	Unit
f _{IN}	Input Frequency:	P1727X	20		40	MHz
f _{OUT}	Output Frequency:	P1727X	20		40	MHz
t _{LH} ¹	Output Rise time	Measured from 0.8V to 2.0V	0.7	0.9	1.1	nS
t _{HL} ¹	Output Fall time	Measured from 2.0V to 0.8V	0.6	0.8	1.0	nS
t _{JC}	Jitter (Cycle-to-cycle)			225	325	pS
t _D	Output Duty cycle		45	50	55	%

Note: 1. t_{LH} and t_{HL} are measured with a capacitive load of 15pF.

P1727

Package Information

8-lead (150-mil) SOIC Package




Symbol	Dimensions			
	Inches		Millimeters	
	Min	Max	Min	Max
A1	0.004	0.010	0.10	0.25
A	0.053	0.069	1.35	1.75
A2	0.049	0.059	1.25	1.50
B	0.012	0.020	0.31	0.51
C	0.007	0.010	0.18	0.25
D	0.193 BSC		4.90 BSC	
E	0.154 BSC		3.91 BSC	
e	0.050 BSC		1.27 BSC	
H	0.236 BSC		6.00 BSC	
L	0.016	0.050	0.41	1.27
theta	0°	8°	0°	8°

P1727

Ordering Information

Part number	Marking	Package Configuration	Temperature Range
P1727AF-08SR	ABW	8-PIN SOIC, TAPE & REEL, Green	0°C to +70°C

A "microdot" placed at the end of last row of marking or just below the last row toward the center of package indicates Pb-free.

ON Semiconductor and  are registered trademarks of Semiconductor Components Industries, LLC (SCILLC). SCILLC reserves the right to make changes without further notice to any products herein. SCILLC makes no warranty, representation or guarantee regarding the suitability of its products for any particular purpose, nor does SCILLC assume any liability arising out of the application or use of any product or circuit, and specifically disclaims any and all liability, including without limitation special, consequential or incidental damages. "Typical" parameters which may be provided in SCILLC data sheets and/or specifications can and do vary in different applications and actual performance may vary over time. All operating parameters, including "Typicals" must be validated for each customer application by customer's technical experts. SCILLC does not convey any license under its patent rights nor the rights of others. SCILLC products are not designed, intended, or authorized for use as components in systems intended for surgical implant into the body, or other applications intended to support or sustain life, or for any other application in which the failure of the SCILLC product could create a situation where personal injury or death may occur. Should Buyer purchase or use SCILLC products for any such unintended or unauthorized application, Buyer shall indemnify and hold SCILLC and its officers, employees, subsidiaries, affiliates, and distributors harmless against all claims, costs, damages, and expenses, and reasonable attorney fees arising out of, directly or indirectly, any claim of personal injury or death associated with such unintended or unauthorized use, even if such claim alleges that SCILLC was negligent regarding the design or manufacture of the part. SCILLC is an Equal Opportunity/Affirmative Action Employer. U.S. Patent Pending; Timing-Safe and Active Bead are trademarks of PulseCore Semiconductor, a wholly owned subsidiary of ON Semiconductor. This literature is subject to all applicable copyright laws and is not for resale in any manner.

PUBLICATION ORDERING INFORMATION

LITERATURE FULFILLMENT:

Literature Distribution Center for ON Semiconductor
P.O. Box 5163, Denver, Colorado 80217 USA
Phone: 303-675-2175 or 800-344-3860 Toll Free USA/Canada
Fax: 303-675-2176 or 800-344-3867 Toll Free USA/Canada
Email: orderlit@onsemi.com

N. American Technical Support: 800-282-9855
Toll Free USA/Canada
Europe, Middle East and Africa Technical Support:
Phone: 421 33 790 2910
Japan Customer Focus Center
Phone: 81-3-5773-3850

ON Semiconductor Website:
www.onsemi.com

Order Literature: <http://www.onsemi.com/orderlit>

For additional information, please contact your local Sales Representative