

Excellent Integrated System Limited

Stocking Distributor

Click to view price, real time Inventory, Delivery & Lifecycle Information:

[ON Semiconductor](#)
[P2180AF-08SR](#)

For any questions, you can email us directly:

sales@integrated-circuit.com

ON Semiconductor®



P2180

Peak Reducing EMI Solution

Features

- FCC approved method of EMI attenuation.
- Provides up to 15dB EMI reduction.
- Generates a 1X low EMI spread spectrum clock from the input frequency.
- Optimized for frequency range:
 - P2180: 20MHz to 40MHz
- Internal loop filter minimizes external components and board space.
- Selectable spread options: Down Spread.
- Low inherent cycle-to-cycle jitter.
- 3.3V operating voltage.
- CMOS/TTL compatible inputs and outputs.
- Low-power CMOS design.
- Supports notebook VGA and other LCD timing controller applications.
- Drop-in replacement to Cypress W180/1.
- Available in 8-pin SOIC package.

Product Description

The P2180 is a versatile spread spectrum frequency modulator designed specifically for a range of clock frequencies from 20MHz to 40MHz. The P2180 can generate an EMI reduced clock form an OSC or a system generated clock. The P2180 offers various combinations

of percentage deviations. Refer *Spread Deviation Selections Table*.

The P2180 reduces electromagnetic interference (EMI) at the clock source, allowing system wide reduction of EMI of down stream clock and data dependent signals. The P2180 allows significant system cost savings by reducing the number of circuit board layers and shielding that are traditionally required to pass EMI regulations.

The P2180 modulates the output of a single PLL in order to “spread” the bandwidth of a synthesized clock, thereby decreasing the peak amplitudes of its harmonics. This results in significantly lower system EMI compared to the typical narrow band signal produced by oscillators and most clock generators. Lowering EMI by increasing a signal’s bandwidth is called spread spectrum clock generation.

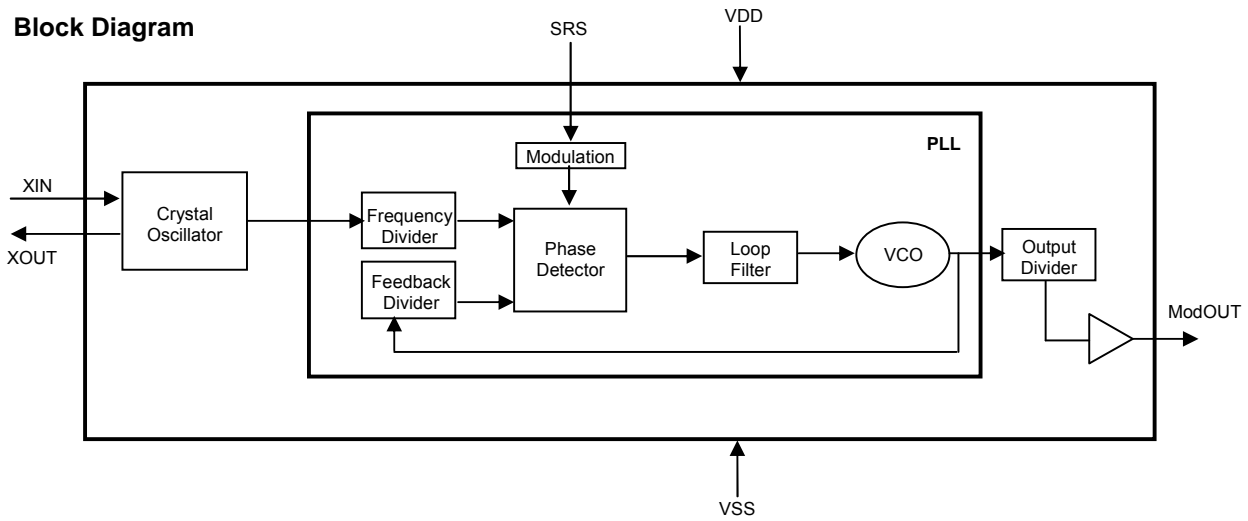
The P2180 uses the most efficient and optimized modulation profile approved by the FCC and is implemented by using a proprietary all-digital method.

Applications

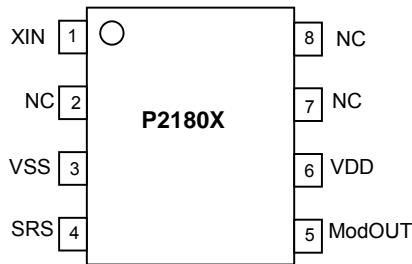
The P2180 is targeted towards EMI management for memory and LVDS interfaces in mobile graphic chipsets and high-speed digital applications such as PC peripheral devices, consumer electronics, and embedded controller systems.

P2180

Block Diagram



Pin Diagram



Pin Description

Pin#	Pin Name	Type	Description
1	XIN	I	Connect to externally generated clock signal or crystal.
2	NC		No connect.
3	VSS	P	Ground to entire chip.
4	SRS	I	Spread Range Select. Digital logic input used to select frequency deviation Refer <i>Spread Deviation Selections Table</i> . This pin has an internal pull-up resistor.
5	ModOUT	O	Spread spectrum low EMI output.
6	VDD	P	Connect to +3.3V.
7	NC		No connect.
8	NC		No connect.

P2180

Input Frequency and Modulation Rate

Part Number	Input Frequency Range (MHz)	Output Frequency Range (MHz)	Modulation Rate
P2180	20 to 40	20 to 40	Input frequency / 768

Spread Deviation Selections

Part Number	SRS	Spread Deviation
P2180 A	0	-1.25% (Down)
	1	-1.75% (Down)

Absolute Maximum Ratings

Symbol	Parameter	Rating	Unit
VDD, VIN	Voltage on any pin with respect to Ground	-0.5 to +4.6	V
T _{STG}	Storage temperature	-65 to +125	°C
T _s	Max. Soldering Temperature (10 sec)	260	°C
T _J	Junction Temperature	150	°C
T _{DV}	Static Discharge Voltage (As per JEDEC STD22- A114-B)	2	KV

Note: These are stress ratings only and are not implied for functional use. Exposure to absolute maximum ratings for prolonged periods of time may affect device reliability.

Operating Conditions

Parameter	Description	Min	Max	Unit
VDD	Supply Voltage	3.0	3.6	V
T _A	Operating Temperature (Ambient Temperature)	-40	+85	°C
C _L	Load Capacitance		15	pF
C _{IN}	Input Capacitance		7	pF

P2180

DC Electrical Characteristics

Unless otherwise noted, $V_{DD} = 3.3V$ and $T_A = 25^\circ C$.

Symbol	Parameter	Min	Typ	Max	Unit
V_{IL}	Input low voltage	GND – 0.3		0.8	V
V_{IH}	Input high voltage			$V_{DD} + 0.3$	V
I_{IL}	Input low current (input SRS)	-60.0		-20.0	μA
I_{IH}	Input high current			1.00	μA
I_{XOL}	X_{OUT} output low current (@ 0.4V, $V_{DD} = 3.3V$)	2.00		12.00	mA
I_{XOH}	X_{OUT} output high current (@ 2.5V, $V_{DD} = 3.3V$)			12.00	mA
V_{OL}	Output low voltage ($V_{DD} = 3.3V$, $I_{OL} = 20mA$)			0.4	V
V_{OH}	Output high voltage ($V_{DD} = 3.3V$, $I_{OH} = 20mA$)	2.8			V
I_{CC}	Dynamic supply current normal mode (3.3V and 10pF loading)	$8.6 f_{IN} - \text{min}$		$27.0 f_{IN} - \text{max}$	mA
I_{DD}	Static supply current standby mode		4.5		mA
V_{DD}	Operating voltage		3.3		V
t_{ON}	Power up time (first locked clock cycle after power up)				mS
Z_{OUT}	Clock output impedance				Ω

AC Electrical Characteristics

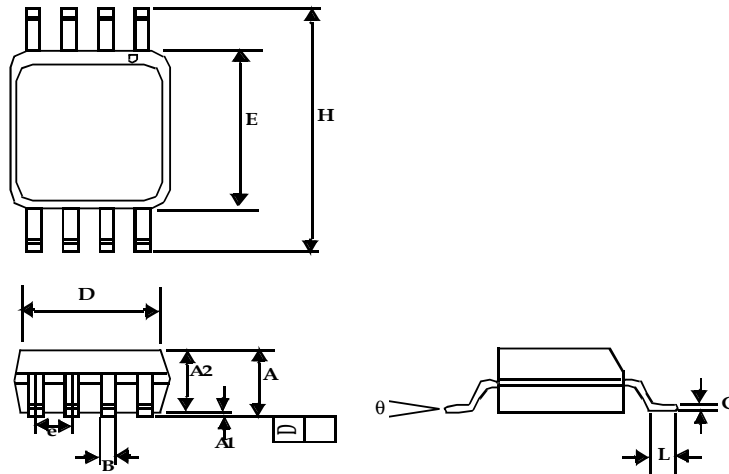
Symbol	Parameter	Min	Typ	Max	Unit
f_{IN}	Input frequency	20		40	MHz
f_{OUT}	Output frequency	20		40	MHz
t_{LH}^1	Output rise time (measured at 0.8V to 2.0V)		0.69		ns
t_{HL}^1	Output fall time (measured at 2.0V to 0.8V)		0.66		ns
t_{JC}	Jitter (cycle-to-cycle)	-200		200	ps
t_D	Output duty cycle	45	50	55	%

Note: 1. t_{LH} and t_{HL} are measured into a capacitive load of 15pF.

P2180

Package Information

8-Pin SOIC Package



Symbol	Dimensions			
	Inches		Millimeters	
	Min	Max	Min	Max
A1	0.004	0.010	0.10	0.25
A	0.053	0.069	1.35	1.75
A2	0.049	0.059	1.25	1.50
B	0.012	0.020	0.31	0.51
C	0.007	0.010	0.18	0.25
D	0.193 BSC		4.90 BSC	
E	0.154 BSC		3.91 BSC	
e	0.050 BSC		1.27 BSC	
H	0.236 BSC		6.00 BSC	
L	0.016	0.050	0.41	1.27
θ	0°	8°	0°	8°


Note: Controlling dimensions are millimeters.
SOIC: 0.074 grams unit weight.

P2180

Ordering Information

Part number	Marking	Package Type	Temperature
P2180AF-08SR	ACF	8-Pin SOIC, Tape and Reel, Pb Free	0°C to +70°C

A "microdot" placed at the end of last row of marking or just below the last row toward the center of package indicates Pb-free.

ON Semiconductor and  are registered trademarks of Semiconductor Components Industries, LLC (SCILLC). SCILLC reserves the right to make changes without further notice to any products herein. SCILLC makes no warranty, representation or guarantee regarding the suitability of its products for any particular purpose, nor does SCILLC assume any liability arising out of the application or use of any product or circuit, and specifically disclaims any and all liability, including without limitation special, consequential or incidental damages. "Typical" parameters which may be provided in SCILLC data sheets and/or specifications can and do vary in different applications and actual performance may vary over time. All operating parameters, including "Typicals" must be validated for each customer application by customer's technical experts. SCILLC does not convey any license under its patent rights nor the rights of others. SCILLC products are not designed, intended, or authorized for use as components in systems intended for surgical implant into the body, or other applications intended to support or sustain life, or for any other application in which the failure of the SCILLC product could create a situation where personal injury or death may occur. Should Buyer purchase or use SCILLC products for any such unintended or unauthorized application, Buyer shall indemnify and hold SCILLC and its officers, employees, subsidiaries, affiliates, and distributors harmless against all claims, costs, damages, and expenses, and reasonable attorney fees arising out of, directly or indirectly, any claim of personal injury or death associated with such unintended or unauthorized use, even if such claim alleges that SCILLC was negligent regarding the design or manufacture of the part. SCILLC is an Equal Opportunity/Affirmative Action Employer. U.S. Patent Pending; Timing-Safe and Active Bead are trademarks of PulseCore Semiconductor, a wholly owned subsidiary of ON Semiconductor. This literature is subject to all applicable copyright laws and is not for resale in any manner.

PUBLICATION ORDERING INFORMATION

LITERATURE FULFILLMENT:

Literature Distribution Center for ON Semiconductor
P.O. Box 5163, Denver, Colorado 80217 USA
Phone: 303-675-2175 or 800-344-3860 Toll Free
USA/Canada
Fax: 303-675-2176 or 800-344-3867 Toll Free
USA/Canada
Email: orderlit@onsemi.com

N. American Technical Support: 800-282-9855
Toll Free USA/Canada
Europe, Middle East and Africa Technical Support:
Phone: 421 33 790 2910
Japan Customer Focus Center
Phone: 81-3-5773-3850

ON Semiconductor Website:
www.onsemi.com

Order Literature: <http://www.onsemi.com/orderlit>

For additional information, please contact your local Sales Representative