

Excellent Integrated System Limited

Stocking Distributor

Click to view price, real time Inventory, Delivery & Lifecycle Information:

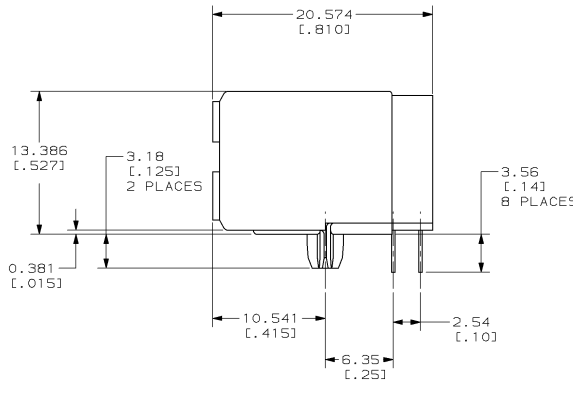
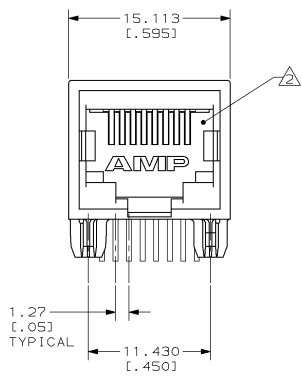
[TE Connectivity AMP Connectors](#)
[558341-1](#)

For any questions, you can email us directly:

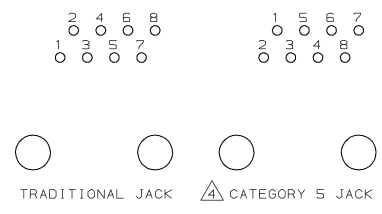
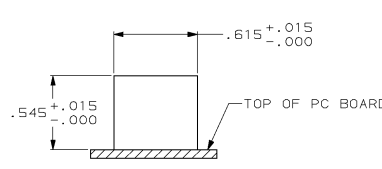
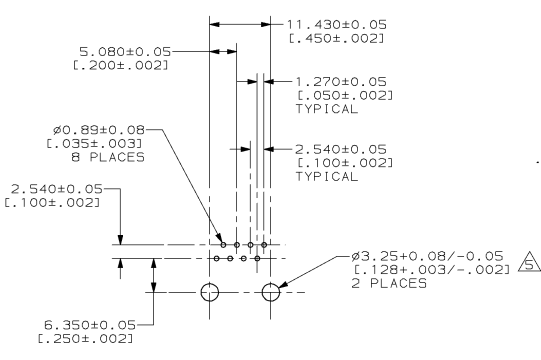
sales@integrated-circuit.com

THIS DRAWING IS UNPUBLISHED. RELEASED FOR PUBLICATION BY AMP INCORPORATED. ALL RIGHTS RESERVED.

LOC	DATE	REV	DESCRIPTION	DATE	BY	APP'D
AA	22	D	REV, EC 0502-0377-97	22AUG97	DS	JT



- ⚠ MATERIAL: HOUSING-HTN NYLON, BLACK, IR COMPATIBLE, UL 94V-0. TERMINALS - 0.33 [.013] THICK PHOS BRONZE PLATED WITH 1.27µm [.000050] MINIMUM THICK HARD GOLD IN LOCALIZED AREA AND 3.81µm [.000150] MINIMUM THICK TIN-LEAD IN SOLDER AREA OVER 1.27µm [.000050] MINIMUM THICK NICKEL UNDERPLATE.
- ⚠ JACK CAVITY CONFORMS TO FCC RULES AND REGULATIONS, PART 68 SUBPART F.
- 3. ALL DIMENSIONS SHOWN ARE NOMINAL UNLESS OTHERWISE SPECIFIED.
- ⚠ CAUTION: CATEGORY 5 JACK SOLDER TAIL POSITIONS DO NOT FOLLOW SAME NUMBER SEQUENCE AS THAT OF TRADITIONAL JACKS.
- ⚠ USE #30 DRILL BIT OR 3.25mm DRILL BIT WHEN PRODUCING THESE PCB HOLES.



SUGGESTED PANEL CUTOUT SCALE 2:1

SUGGESTED PC BOARD LAYOUT COMPONENT SIDE SCALE 2:1

<small>THIS DRAWING IS A BUSINESS TRADE SECRET FOR THE COMPANY. IT IS TO BE KEPT AS STRICTLY CONFIDENTIAL AND NOT TO BE REPRODUCED OR DISCLOSED TO ANY OTHER PARTY WITHOUT THE WRITTEN PERMISSION OF AMP INCORPORATED.</small>		DWG P. PLITTS DATE 2-16-94	2-2-94 2-16-94
DIMENSIONS: mm (INCHES)		BY B. FOX DATE 2-16-94	NAME S. REED
TOLERANCES UNLESS OTHERWISE SPECIFIED: DIMENSIONS 0 PLG ±.015 1 PLG ±.015 2 PLG ±.015 3 PLG ±.015 4 PLG ±.015 5 PLG ±.015 6 PLG ±.015 7 PLG ±.015 8 PLG ±.015		PRODUCT SPEC 108-1163	APPLICATION SPEC 114-2048
MATERIAL P/AV58		WEIGHT -	SIZE A2
CUSTOMER DRAWING		DRAWING NO 00779	DRAWING NO 558341
SCALE 4:1		SHEET 1 OF 1	REV 0