

Excellent Integrated System Limited

Stocking Distributor

Click to view price, real time Inventory, Delivery & Lifecycle Information:

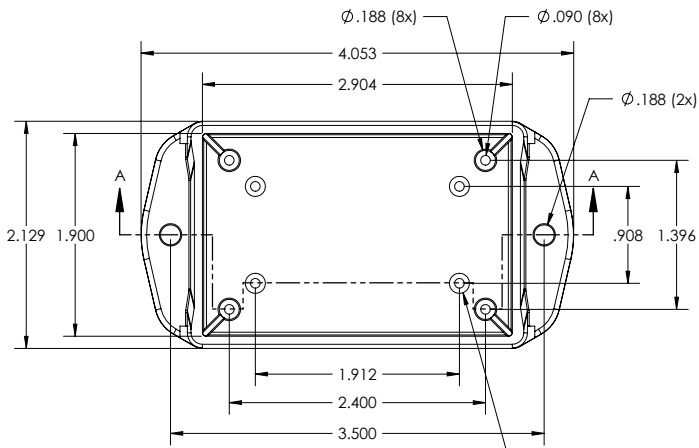
[BUD Industries, Inc.](#)

[CU-1933-MB](#)

For any questions, you can email us directly:

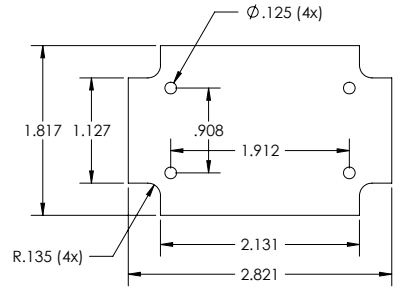
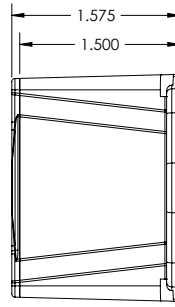
sales@integrated-circuit.com

PART NAME	UTILIBOX (STYLE L)	PART No.	CU-1933-MB	REVISION DATE	2-24-11
-----------	--------------------	----------	------------	---------------	---------

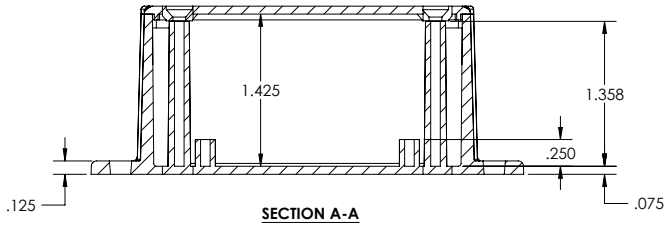


**COVER NOT SHOWN
THIS VIEW ONLY**

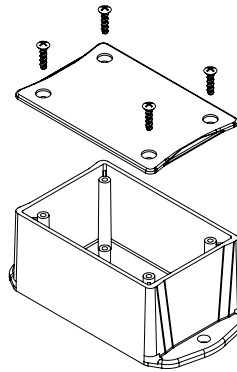
PC BOARD MOUNTING BOSSES
ACCEPT #4 x 1/4" LG
THREAD FORMING SCREWS
(NOT SUPPLIED)



**SUGGESTED PC BOARD
LAYOUT**



SECTION A-A



MATERIAL: ABS UL94V-0, BLACK

NOTES:

- 1.) FOUR (4) #4-24 x 1/2" LG. THREAD FORMING SCREWS SUPPLIED FOR ASSEMBLY OF COVER TO BODY.
- 2.) ALL DIMENSIONS HAVE $\pm .015$ TOLERANCE
- 3.) ALL OUTSIDE AND INSIDE DRAFT ANGLE: $.5^\circ \pm .5^\circ$