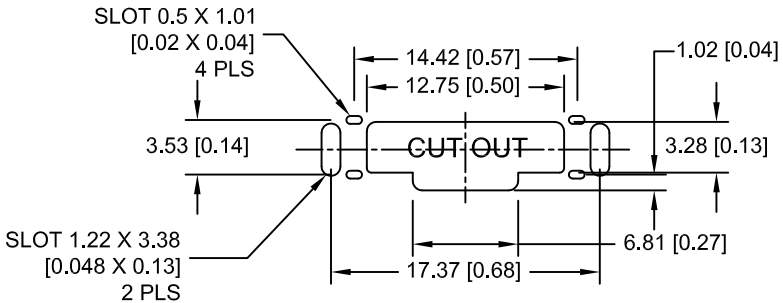
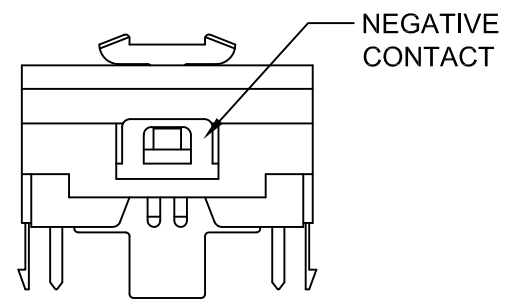
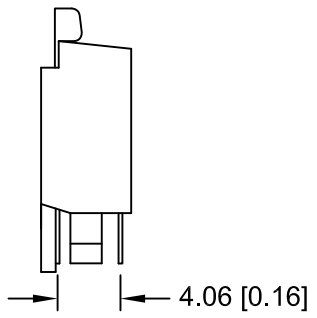
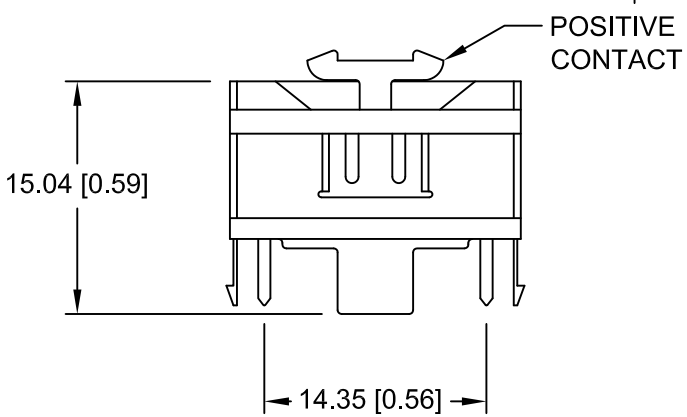
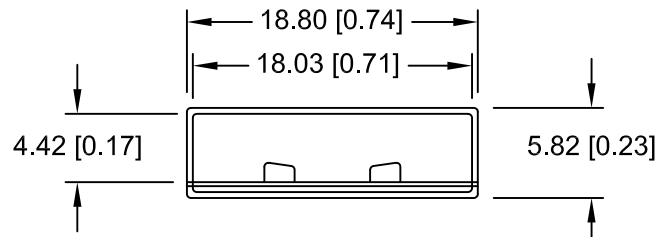


Date	SYM	REVISION RECORD	AUTH	DR.	CK.
11/14/14	A	UPDATED TO ROHS 2 COMPLIANT	T.B.	B.S.	




PCB LAYOUT



NOTES:

1. MATERIAL:

- HOUSING: NYLON 66, 33% GLASS FILLED, FILE NO. E41938, UL94-HB
- CONTACTS: 0.010" PHOS. BRONZE, GOLD FLASH OVER NICKEL PLATE
- TEMPERATURE RANGE: -40°C TO +220°C
- * VIBRATION TEST: 10-50-10 HZ SWEEPED IN 60 SECONDS
X,Y,Z DIRECTION: 1 HOUR EACH DIRECTION
- * RESULT: NO DISLODGEMENT OF THE CELL OR DAMAGE
NO DISCONTINUITY OVER 10 MICRO-SECONDS
- * SHOCK TEST: HALF SINE WAVE ACCELERATION 150G.
6 MICRO-SECONDS 3 SHOCK PULSES EACH
DIRECTION PER AXIS, TOTAL OF 18 PULSES
- * RESULT: NO EVIDENCE OF PHYSICAL DAMAGE
- * ROHS 2 COMPLIANT

Tolerance (Except as noted)	 Memory Protection Devices, Inc 200 Broad Hollow Road, Farmingdale, New York 11735	Scale	Drawn By B.S.
			Approved By T.B.
decimal ±.5 (.020)	Title CR1632 VERTICAL CELL HOLDER	Date 11/14/14	
Fractional ± .8 (.030)		Drawing Number BV-1632-G	
Angular ± 3°			