



Excellent Integrated System Limited

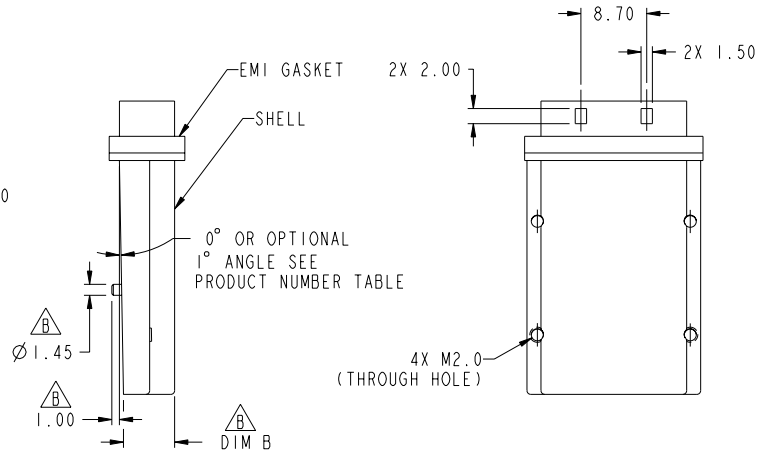
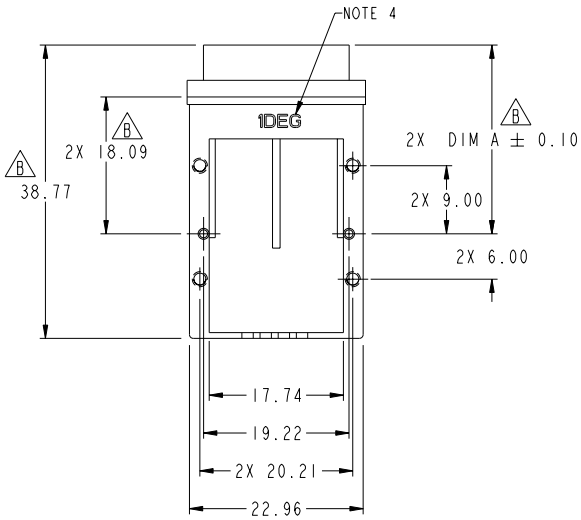
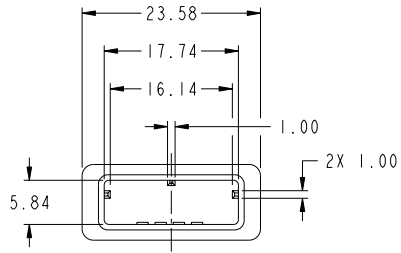
Stocking Distributor

Click to view price, real time Inventory, Delivery & Lifecycle Information:

[FCI](#)
[10098871-1102LF](#)

For any questions, you can email us directly:
sales@integrated-circuit.com

PRODUCT NUMBER
SEE TABLE



rev	ecn no	dr	date
A	V09-0420	RE	2009-08-20
B	V09-0550	MRG	2009-11-20
-	-	-	-
-	-	-	-
-	-	-	-
-	-	-	-

www.fciconnect.com		surface ASME Y14.5	tolerance std ASME Y14.5	projection	MM
Dr S. MANOHARAN 2009-03-25		TOLERANCES UNLESS OTHERWISE SPECIFIED		size A3	Scale 2:1
Eng J. SHUEY 2009-03-25		ANGULAR	0.X ±0.10		
Chr J. SHUEY 2009-03-25		LINEAR	0.XX ±0.05	ECN V09-420	Rev. B
Appr J. SHUEY 2009-03-25		0° ±1°	0.XXX ±		
Product family MINI-SAS				Spec ref -	
SINGLE PORT CAGE MINI-SAS CONNECTOR catalog no				Eng no 10098871 CUSTOMER sheet 1 of 3	

REV F - 2009-08-17

1

2

3

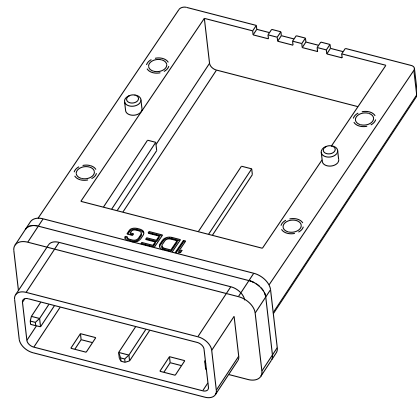
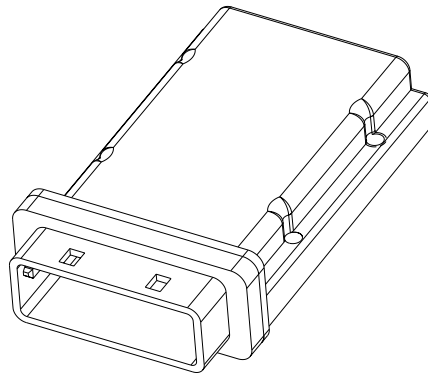
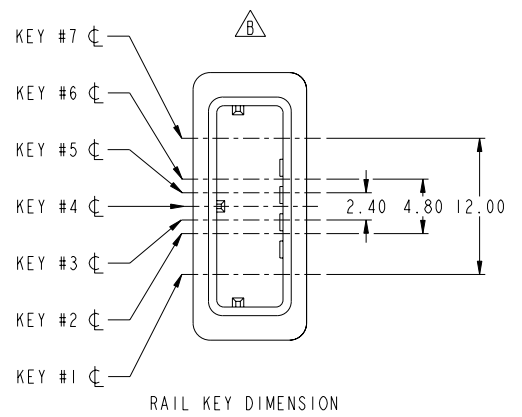
PRODUCT NUMBER	DIM A	DIM B	GASKET INCLUDED	STYLE	RAIL KEY POSITION
10098871-1102LF	25.09	7.42	YES	WITH POST, 0 DEGREE	#4
10098871-1302LF	24.96	6.88	YES	WITH POST, 1 DEGREE	#4

NOTES:

1. SHELL MATERIAL: ZINC ALLOY
PLATING: 3.81µm NICKEL MIN.

EMI GASKET MATERIAL: FLEXIBLE CONDUCTIVE MATERIAL
2. PRODUCT SPECIFICATION: GS-12-548
3. APPLICATION SPECIFICATION: GS-20-124
4. PRODUCT NUMBER 10098871-1302LF WILL BE MARKED WITH "1 DEG". PRODUCT NUMBER 10098871-1102LF WILL NOT HAVE A MARKING.
5. PRODUCT MEETS EUROPEAN UNION DIRECTIVES AND OTHER COUNTRY REGULATIONS AS DESCRIBED IN GS-22-008.

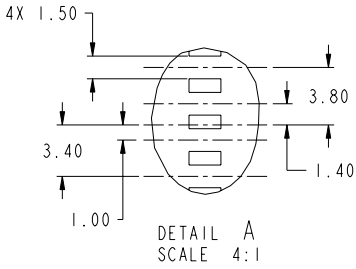
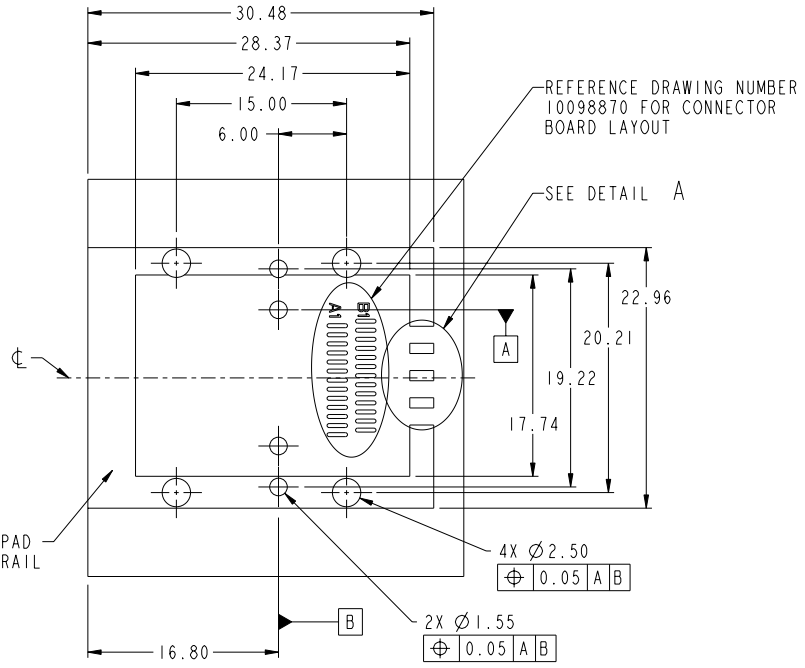
6. A \triangle SYMBOL WILL BE NEXT TO ANY DIMENSION, VIEW, OR NOTE, WHICH HAS BEEN MODIFIED WITH THE CURRENT DRAWING REVISION.



FCI	title	SINGLE PORT CAGE	dwg. no.	10098871	Rev.	B
	catalog no.	MINI-SAS CONNECTOR	-	CUSTOMER	sheet	2 of 3

PRODUCT NUMBER
SEE TABLE

A
B
C
D



FCj	title	SINGLE PORT CAGE	dwg. no.	10098871	Rev.	B
	catalog no.	MINI-SAS CONNECTOR	CUSTOMER	sheet 3 of 3		

Copyright FCI.
FCj