

Excellent Integrated System Limited

Stocking Distributor

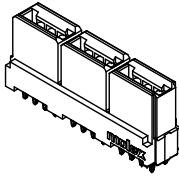
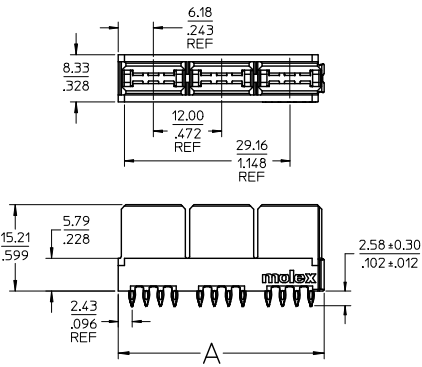
Click to view price, real time Inventory, Delivery & Lifecycle Information:

[Molex Connector Corporation](#)
[0461120401](#)

For any questions, you can email us directly:

sales@integrated-circuit.com

P/N 46112-601 SHOWN



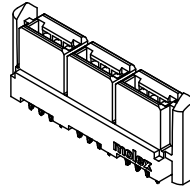
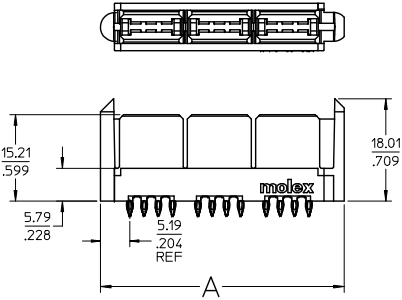
POWER HOUSING ASSY W/ INTERLOCK

NO OF CKT	MATERIAL NUMBER	COMPLIANT PIN PLATING	DIM A	DIM B SEE SHT 2	DIM C SEE SHT 2
2	46112-0201	TIN	12.24/1.482	12.75/1.502	2.69/1.106
4	46112-0401	TIN	24.24/1.954	24.74/1.974	
6	46112-0601	TIN	36.24/1.427	36.75/1.447	
8	46112-0801	TIN	48.24/1.899	48.74/1.919	
10	46112-1001	TIN	60.24/2.372	60.76/2.392	
12	46112-1201	TIN	75.00/2.953	75.51/2.973	
14	46112-1401	TIN	84.24/3.317	84.76/3.337	

NOTES:

- MATERIAL: HOUSING: LCP, 94-VO, COLOR: BLACK.
POWER CONTACTS: COPPER ALLOY.
SIGNAL CONTACTS: MODIFIED TIN BRASS.
- FINISH: SELECT GOLD - 0.75 μM/30 μ INCHES
SELECTED TIN - 191 μM/75 μ INCHES
- POWER CONTACTS ARE LUBRICATED IN CONTACT AREA.
- PARTS ARE ROHS COMPLIANT.
- MATES TO MOLEX P/N 45985-SERIES OR EDGE CARD 1571.062.
- PRODUCT SPECIFICATION PS-46114-001.
- PACKAGING: PER PK-46114-003.

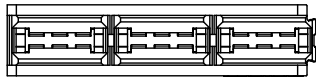
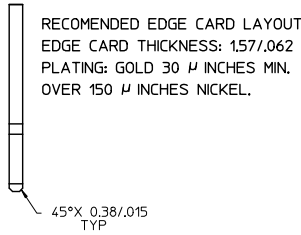
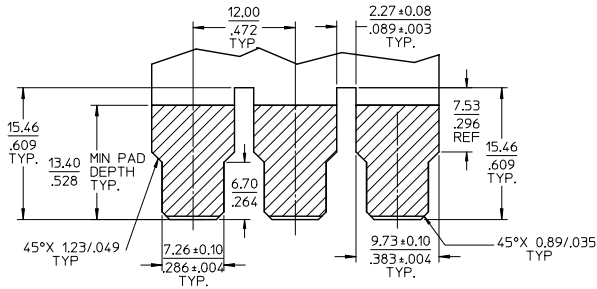
P/N 46112-603 SHOWN



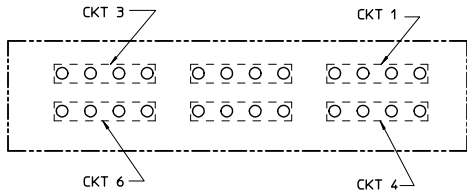
POWER HOUSING ASSY WITH (2) GUIDES

NO OF CKT	MATERIAL NUMBER	COMPLIANT PIN PLATING	DIM A	DIM B	DIM C
2	46112-0203	TIN	18.94/1.746	19.46/1.766	5.45/2.15
4	46112-0403	TIN	30.94/1.218	31.45/1.238	
6	46112-0603	TIN	42.94/1.691	43.46/1.711	
8	46112-0803	TIN	54.94/2.163	55.45/2.183	
10	46112-1003	TIN	66.94/2.635	67.44/2.655	
12	46112-1203	TIN	78.94/3.108	79.45/3.128	
14	46112-1403	TIN	90.94/3.580	91.44/3.600	

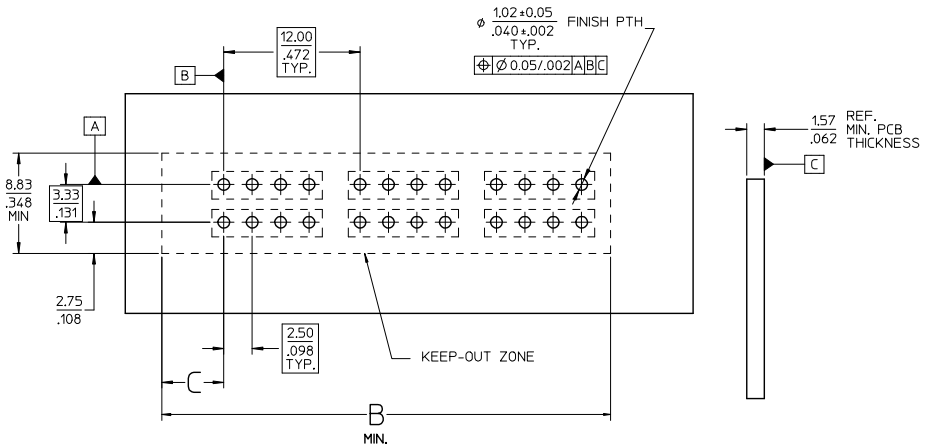
REMOVE TIN/LEAD EC. NO: UCP 2016-2607 DRAWINGS: 2015/12/24 CHKCD: / APPR: HPI/SZC/ZOR 2016/01/20 DESCRIPTION:	QUALITY SYMBOLS	GENERAL TOLERANCES (UNLESS SPECIFIED)	DIMENSION STYLE IN/MM	SCALE 2:1	DESIGN UNITS INCH	THIRD ANGLE PROJECTION
	▽=0	4 PLACES ± --- ± ---	DRAWN BY DATE	TITLE	LPH VERTICAL RECEPTACLE POWER ASSEMBLY	1 OF 2
	▽=0	3 PLACES ± --- ± .010	CHECKED BY DATE			
	▽=0	2 PLACES ± 0.25 ± ---	APPROVED BY DATE	JCOMERC I 2009/12/03	DOCUMENT NO.	SD-46112-200
C5	ANGULAR ± 1/2°	DRAFT WHERE APPLICABLE MUST REMAIN WITHIN DIMENSIONS	SEE CHART	THIS DRAWING CONTAINS INFORMATION THAT IS PROPRIETARY TO MOLEX INCORPORATED AND SHOULD NOT BE USED WITHOUT WRITTEN PERMISSION		



P/N 46112-601 SHOWN



PCB LAYOUT: COMPONENT SIDE
SCALE 4:1



PCB COMPONENT SIDE
SCALE 4:1

SEE SHEET 1 EC NO: UCP2016-2607 DRAWING NO: 201512/24 CHKD: [blank] APPR: BPSZCZOR 2016/01/20 DESCRIPTION: [blank]	QUALITY SYMBOLS	GENERAL TOLERANCES (UNLESS SPECIFIED)	DIMENSION STYLE	SCALE	DESIGN UNITS	THIRD ANGLE PROJECTION	
	∇=0 ∇=0 ∇=0	4 PLACES ± --- 3 PLACES ± --- ± .010 2 PLACES ± 0.25 ± --- 1 PLACE ± --- ± --- 0 PLACE ± --- ± ---	IN/MM DRAWN BY: [blank] DATE: [blank] CHECKED BY: [blank] DATE: [blank] APPROVED BY: [blank] DATE: 2009/12/03 JCOMERC I	3:1	INCH	LPH VERTICAL RECEPTACLE POWER ASSEMBLY 2 CKT-14 CKT. PRESS-FIT	
	ANGULAR ± 1/2° DRAFT WHERE APPLICABLE MUST REMAIN WITHIN DIMENSIONS	SEE CHART SIZE C	MATERIAL NO. [blank] DOCUMENT NO. SD-46112-200 SHEET NO. 2 OF 2	molex			
	THIS DRAWING CONTAINS INFORMATION THAT IS PROPRIETARY TO MOLEX INCORPORATED AND SHOULD NOT BE USED WITHOUT WRITTEN PERMISSION						