

Excellent Integrated System Limited

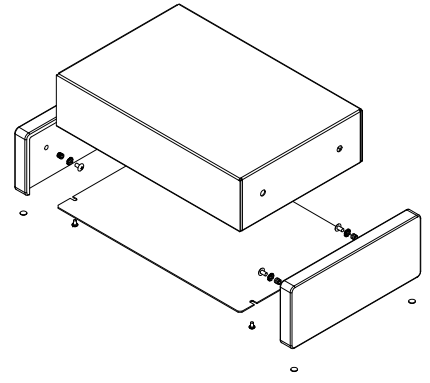
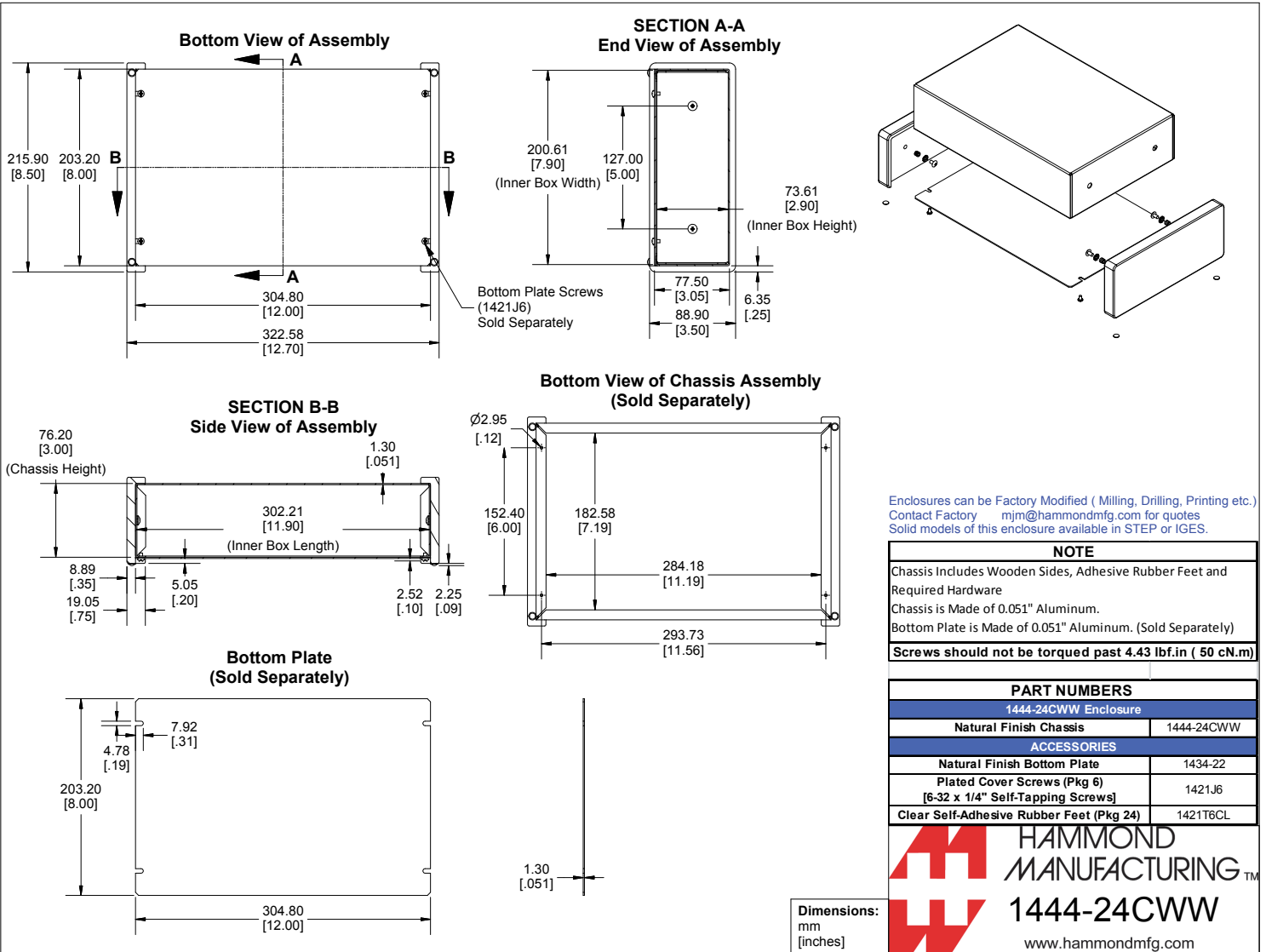
Stocking Distributor

Click to view price, real time Inventory, Delivery & Lifecycle Information:

[Hammond Manufacturing](#)
[1444-24CWW](#)

For any questions, you can email us directly:

sales@integrated-circuit.com



Enclosures can be Factory Modified (Milling, Drilling, Printing etc.)
Contact Factory mjm@hammondmfg.com for quotes
Solid models of this enclosure available in STEP or IGES.

| NOTE | |
|---|------------|
| Chassis Includes Wooden Sides, Adhesive Rubber Feet and Required Hardware | |
| Chassis is Made of 0.051" Aluminum. | |
| Bottom Plate is Made of 0.051" Aluminum. (Sold Separately) | |
| Screws should not be torqued past 4.43 lbf.in (50 cN.m) | |
| PART NUMBERS | |
| 1444-24CWW Enclosure | |
| Natural Finish Chassis | 1444-24CWW |
| ACCESSORIES | |
| Natural Finish Bottom Plate | 1434-22 |
| Plated Cover Screws (Pkg 6) [6-32 x 1/4" Self-Tapping Screws] | 1421J6 |
| Clear Self-Adhesive Rubber Feet (Pkg 24) | 1421T6CL |

HAMMOND MANUFACTURING™

1444-24CWW

www.hammondmfg.com