

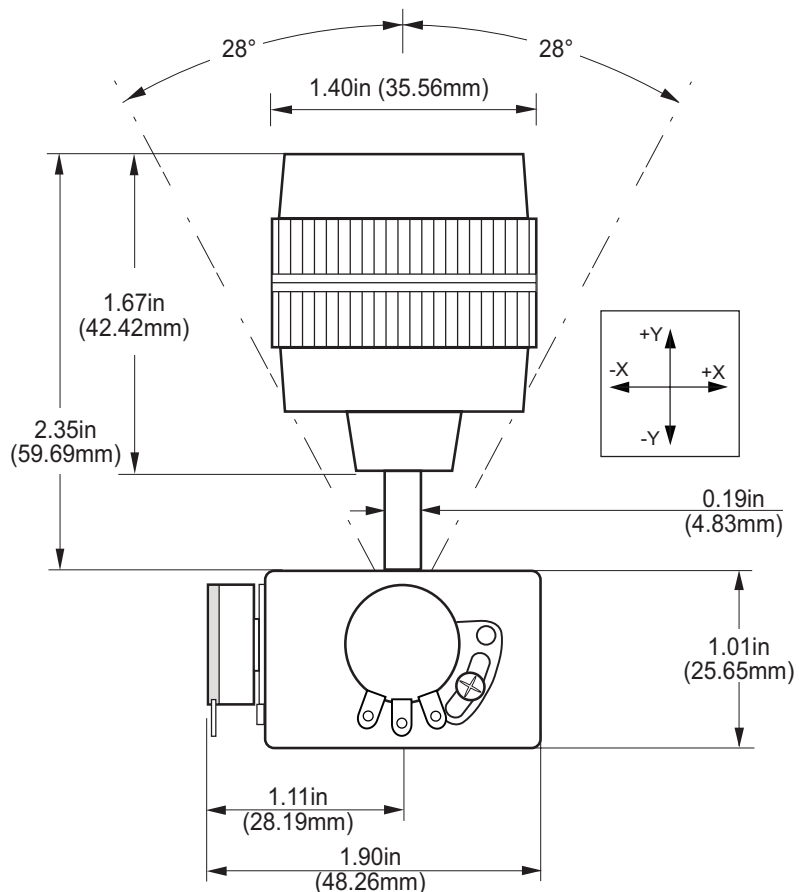
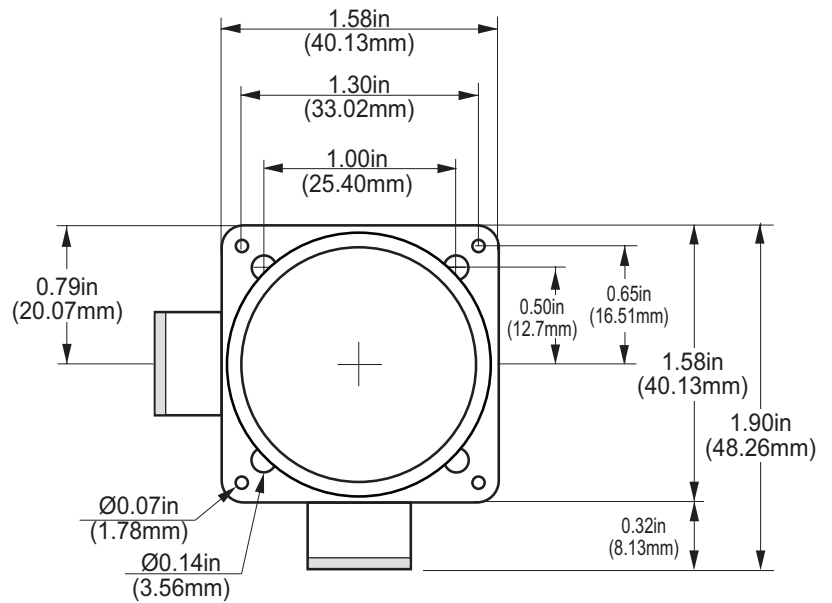
## Excellent Integrated System Limited

Stocking Distributor

Click to view price, real time Inventory, Delivery & Lifecycle Information:

[Apem Inc.](#)  
[M31L081P](#)

For any questions, you can email us directly:  
[sales@integrated-circuit.com](mailto:sales@integrated-circuit.com)



**SPECIFICATIONS**

**ELECTRICAL**

ELECTRICAL ELEMENT	Conductive plastic
RESISTANCE	5KΩ ±20%
POWER RATING	0.25W @ 40°C
ELECTRICAL TRAVEL	220° ± 10° (110° off center)
MECHANICAL TRAVEL	260° centered
ROTATIONAL TORQUE	0.30 oz/in. max

**MECHANICAL**

OPERATING TRAVEL	56° (28° from center)
CENTERING	Spring centering
BREAKOUT FORCE	0.029Nm
OPERATING FORCE	0.041Nm
MAXIMUM FORCE	0.062Nm
LIFE EXPECTANCY	2 million

**WIRING**

Z-AXIS: Red -	Supply
White -	Signal
Blue -	Return

RoHS compliant



P/N	<b>M31L081P</b>	REV	<b>A</b>
DESCRIPTION	Resistive Mini - 3 Axes, no Button		
<small>PROPRIETARY AND CONFIDENTIAL THE INFORMATION CONTAINED IN THIS DRAWING IS THE SOLE PROPERTY OF CH PRODUCTS. ANY REPRODUCTION IN PART OR AS WHOLE WITHOUT THE WRITTEN PERMISSION OF CH PRODUCTS IS PROHIBITED.</small>			