

Excellent Integrated System Limited

Stocking Distributor

Click to view price, real time Inventory, Delivery & Lifecycle Information:

[Apem Inc.](#)
[HG-1000S000-U](#)

For any questions, you can email us directly:
sales@integrated-circuit.com

SPECIFICATIONS

ELECTRICAL

SUPPLY VOLTAGE (USB BUS)	5.0V DC
SUPPLY CURRENT (USB BUS)	32mA max/axis

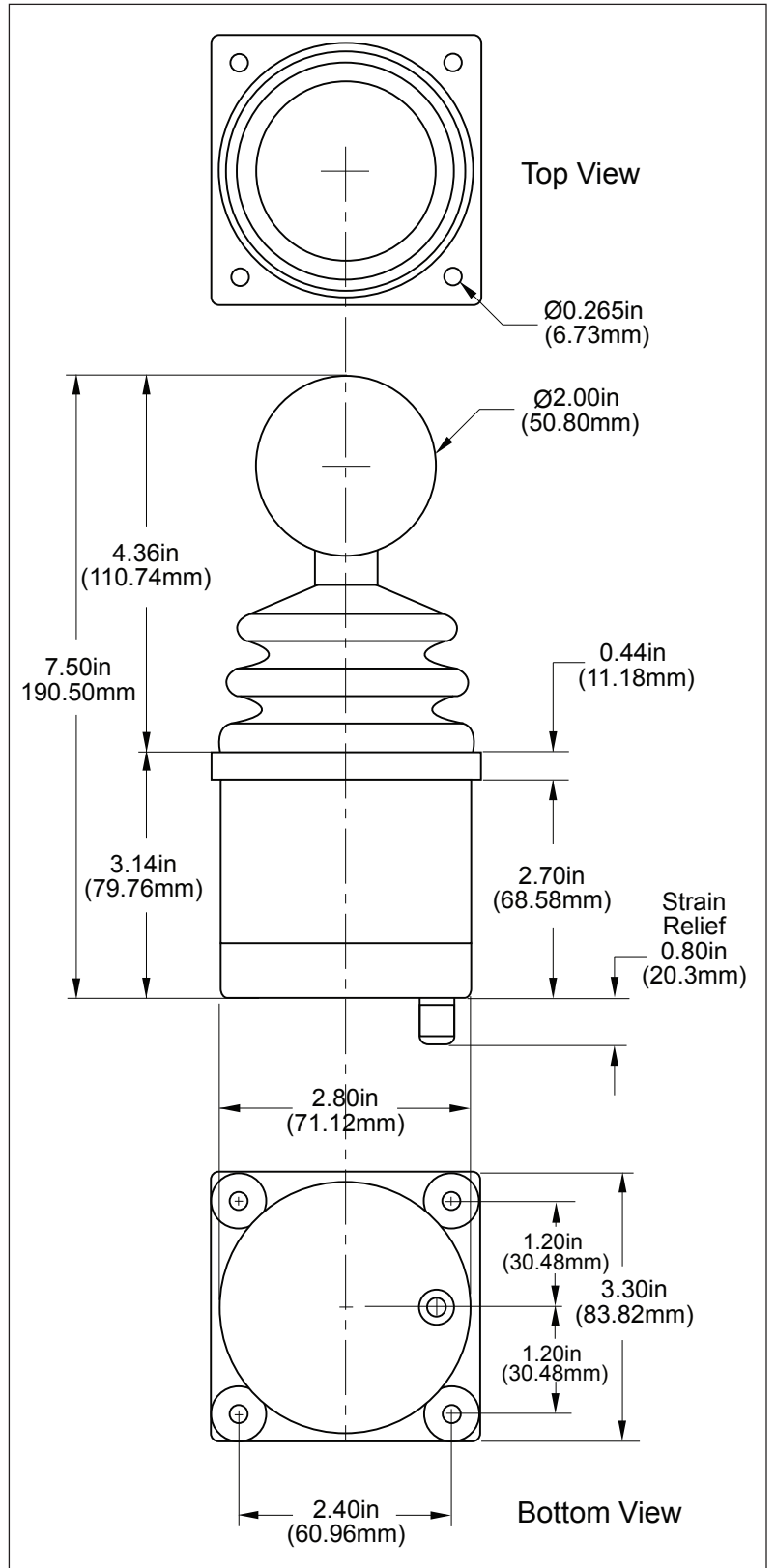
MECHANICAL

OPERATING TRAVEL CENTERING	38° (19° from center) Single spring, omnidirectional
BREAKOUT FORCE	1.3Nm
OPERATING FORCE	1.5Nm
MAXIMUM FORCE	1.7Nm
OPERATING TEMP	-40°C to +85°C
LIFE EXPECTANCY	10 million operations

WIRING

USB 1.1

RoHS compliant



P/N	HG-1000S000-U	REV	A
DESCRIPTION	Series IV – 2Axes, Ball Tip Handle, USB		
PROPRIETARY AND CONFIDENTIAL			
THE INFORMATION CONTAINED IN THIS DRAWING IS THE SOLE PROPERTY OF CH PRODUCTS. ANY REPRODUCTION IN PART OR AS WHOLE WITHOUT THE WRITTEN PERMISSION OF CH PRODUCTS IS PROHIBITED.			